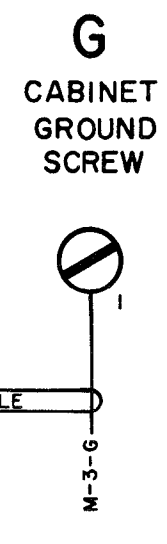
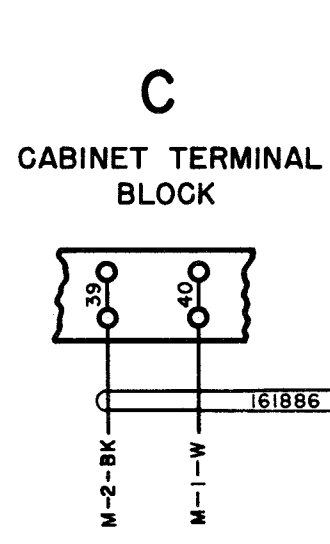
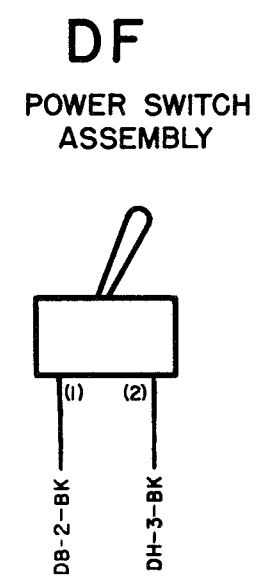
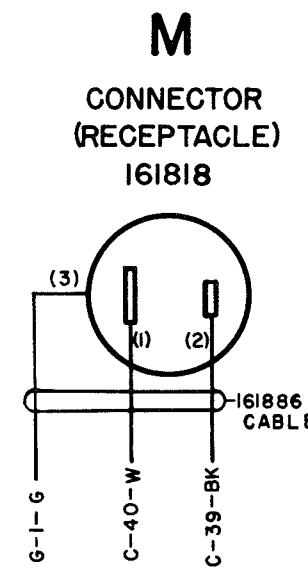


REVISIONS		
ISSUE	DATE	AUTH. NO.
2	8-28-59	28-11618
3	8-19-63	77729
4	8-31-66	88827-1

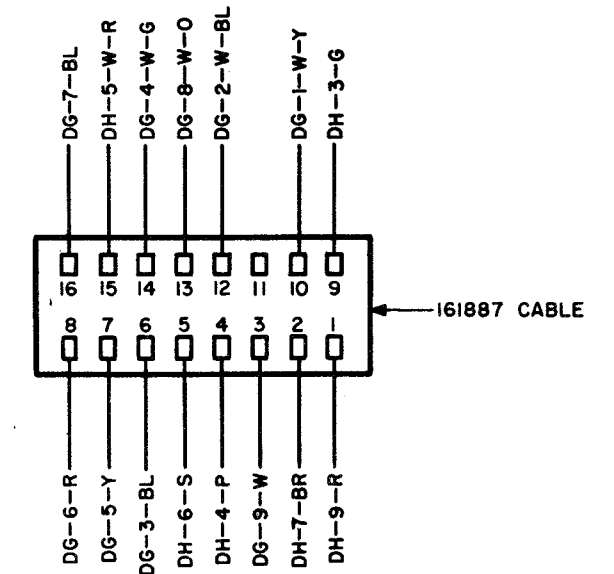
- NO. NOTES
- WIRING LEGEND:

AB-2-W
  - COLOR CODE:

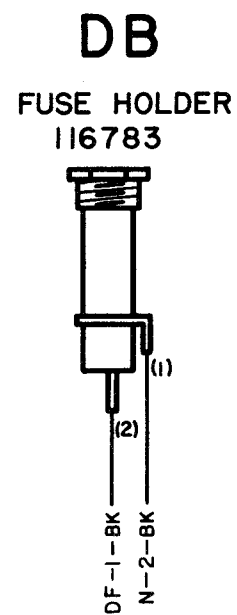
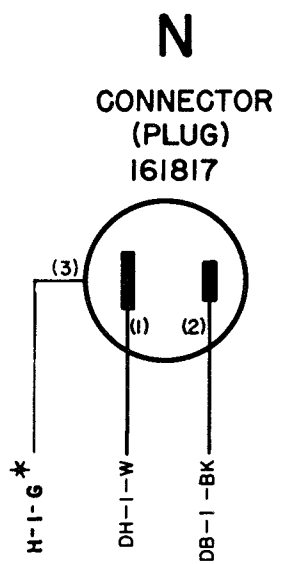
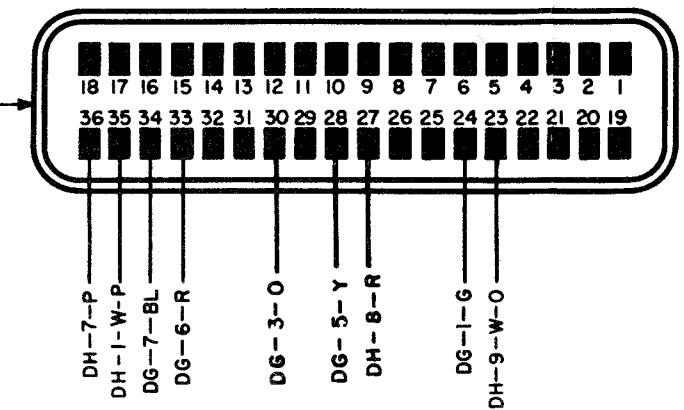
BK - BLACK	W - BK	WHITE - BLACK
BR - BROWN	W - BR	WHITE - BROWN
R - RED	W - R	WHITE - RED
O - ORANGE	W - O	WHITE - ORANGE
Y - YELLOW	W - Y	WHITE - YELLOW
G - GREEN	W - G	WHITE - GREEN
BL - BLUE	W - BL	WHITE - BLUE
S - SLATE	W - S	WHITE - SLATE
P - PURPLE	W - P	WHITE - PURPLE
W - WHITE		
  - ASSOCIATED CABLE ASSEMBLIES 161886, 161887 & 161888.
  - ALL CONNECTORS VIEWED FROM SOLDER END.
  - TERMINAL DESIGNATIONS ENCLOSED IN PARENTHESIS ARE NOT MARKED ON COMPONENTS.
  - FOR SCHEMATIC WIRING DIAGRAM SEE 3591 WD.



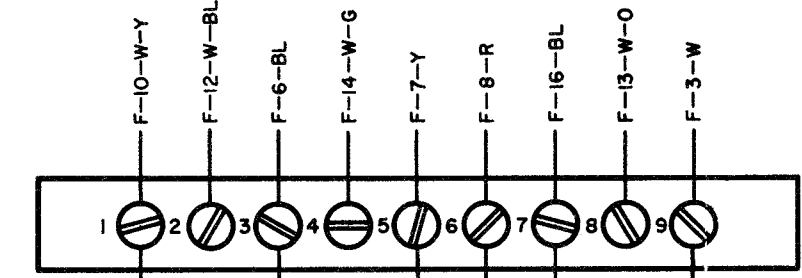
**F**  
CONNECTOR (RECEPTACLE)  
159542



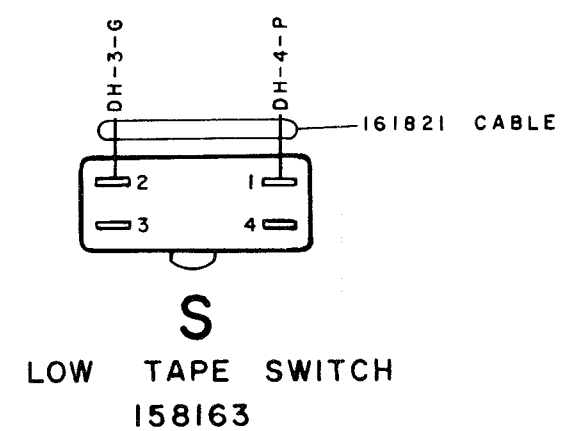
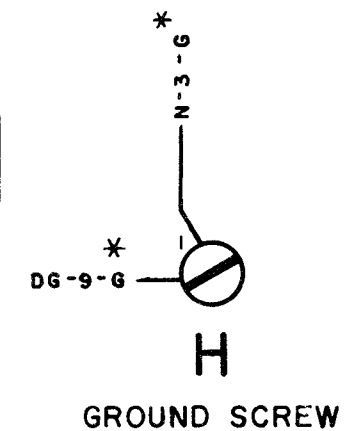
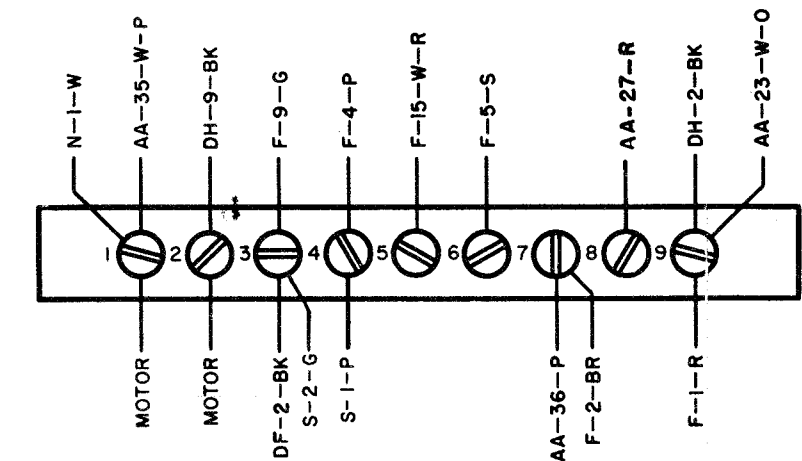
**AA**  
CONNECTOR (PLUG)  
161239



**DG**  
(UPPER)



**DH**  
(LOWER)



RTTY ELECTRONICS  
TELETYPE=Sales-Service-Parts  
PO Box 20101 El Sobrante, Ca.  
94820. (510)222-3102  
mr\_rtty@pacbell.net

APPROVALS

D AND B	E OF M
E-NUMBER	
PROD. NO. 3590 WD	

ACTUAL WIRING DIAGRAM  
MODEL 28  
REPERFORATOR  
BASE LRB5-6

LRB5 = 28C  
DATE: 9-25-58  
P.D. FILE NO. 8-A65-AA  
DRAWN: K.F.L. CHKD:   
ENGD. G.E.W. APPD.

TELETYPE CORPORATION