

ISSUE CONTROL RECORD

3574WD

WDP

NO.	NOTES	SUPPORTING INFORMATION		CONTENTS	SHEET NO.	ISSUE																			REVISIONS APPLYING TO THIS CONTROL RECORD		
		CATEGORY	NO.			2	3	4	5	6	7	8	9	10	11	12	13	14	15	16	17	18	19	ISSUE	DATE	AUTH. NO.	

ISSUE CONTROL SHEET 1 OF 1

ACTUAL  
 WIRING DIAGRAM  
 MODEL 28  
 SEND - RECEIVE  
 TYPING REPERFORATOR  
 KEYBOARD  
 LTRK1, 2

LTRK1 = 28E

WD NUMBER 3574WD

DRAWN R.W.D. CHKD. *fal*

ENGD. S.J.L. APPD.

TELETYPE CORPORATION

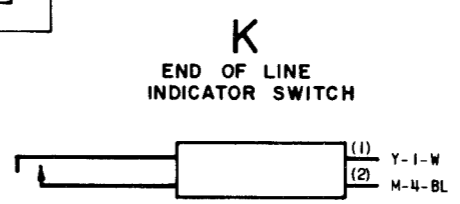
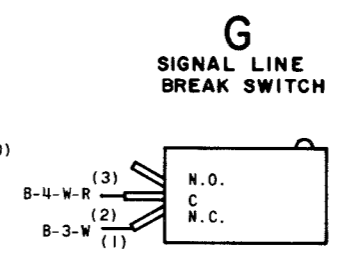
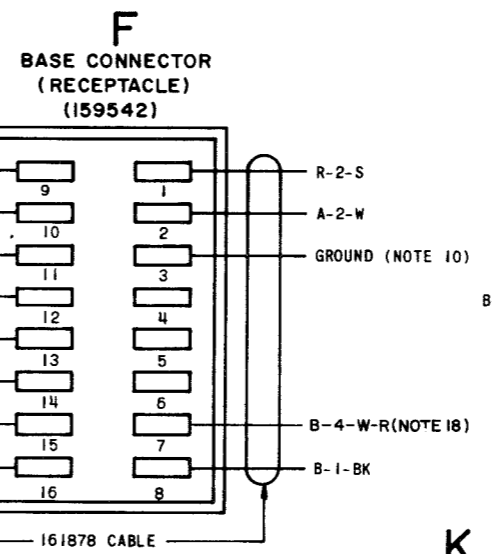
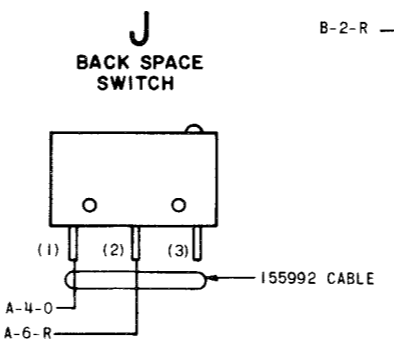
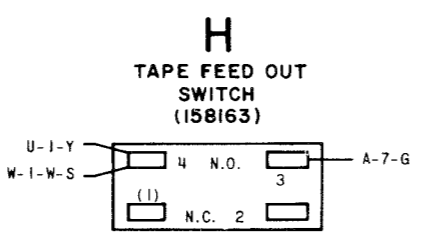
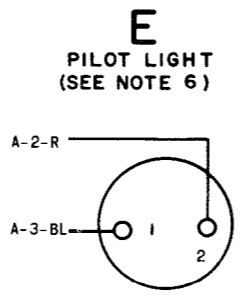
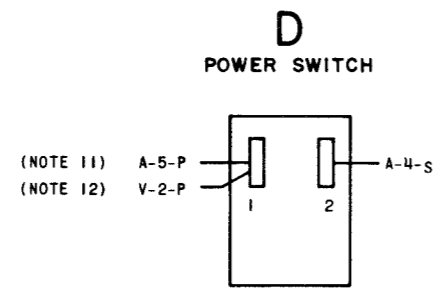
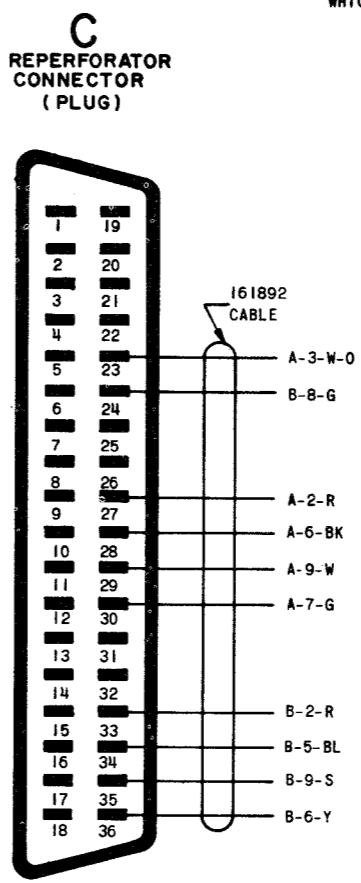
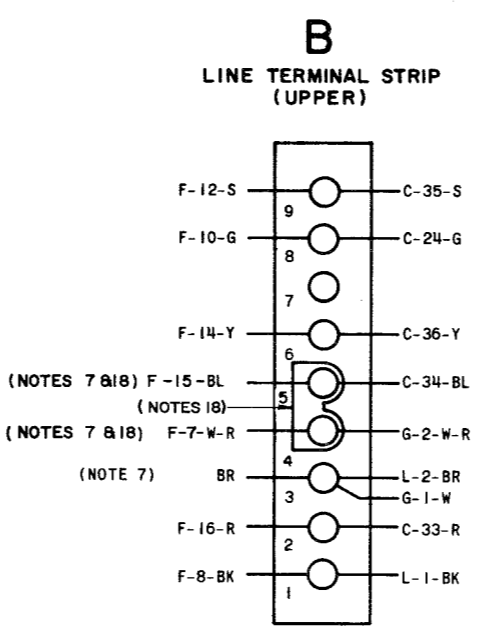
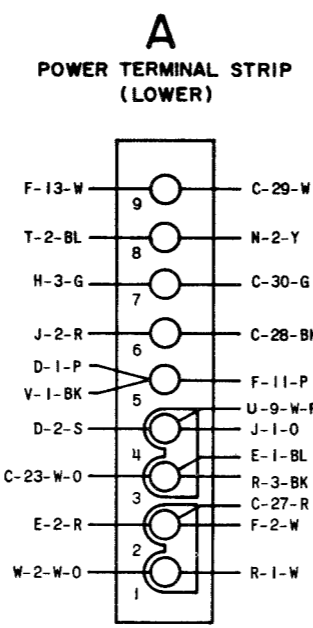
3574WD

RTTY ELECTRONICS  
 TELETYPE = Sales-Service-Parts  
 PO Box 20101 El Sobrante, Ca,  
 94820. (510)222-3102  
 mr\_rtty@pacbell.net

- NO. NOTES**
- WIRING LEGEND:**  
  
 DISTANT TERMINATING AREA  
 DISTANT TERMINAL DESIGNATION  
 WIRE COLOR CODE
  - COLOR CODE:**  
 BK - BLACK      G - GREEN  
 BL - BLUE      Y - YELLOW  
 BR - BROWN    W - WHITE  
 R - RED        S - SLATE  
 P - PURPLE     O - ORANGE
  - UNIT WIRED FOR 115V AC INPUT.
  - CONNECTORS VIEWED FROM SOLDER TERMINAL ENDS.
  - NUMBERS IN PARENTHESIS ARE FOR REFERENCE AND ARE NOT NECESSARILY SHOWN ON COMPONENTS.
  - WHEN SOLDERING CABLE TO INDICATOR LIGHTS, SEND TERMINALS OUTWARD 90°.
  - THESE SPARES ARE PART OF THE 161878 CABLE AND ARE TIED BACK AT THE F CONNECTOR.
  - GROUND STRAP TO LEFT FRONT MOUNTING STUD ON BASE.
  - 
  - UNITS INCLUDE MATING 16 PT. CONNECTOR FOR CUSTOMERS USE. CIRCUIT REFERENCES SHOWN BELOW FOR CIRCUITRY, REFER TO SET SCHEMATIC.
- MATING CONNECTOR 159541**

(9)	STRAP
(10)	POWER INPUT
(11)	GROUND
(12)	CUSTOMER USE
(13)	MOTOR CONT. RELAY
(14)	CUSTOMER USE
(15)	SIGNAL LINE LTRK IO
(16)	SIGNAL LINE
(1)	STRAP
(2)	POWER INPUT
(3)	GROUND
(4)	CUSTOMER USE
(5)	MOTOR CONT. RELAY
(6)	CUSTOMER USE
(7)	SIGNAL LINE LTRK IO
(8)	SIGNAL LINE

TERMINAL NO. 3 TO BE CONNECTED TO A GROUND SCREW ON THE BASE.
- WIRING ON UNITS WITHOUT "V" FUSE HOLDER.
  - WIRING ON UNITS WITH "V" FUSE HOLDER.
  - FOR LTRK-1 WITH 179615 MOD. KIT. SEE 7220WD.
  - FOR ASSOCIATED SCHEMATICS REFER TO:  
 3575WD LTRK1  
 4147WD LTRK2  
 7221WD LTRK1 WITH 179615 MOD. KIT.  
 8442WD LTRK IO
  - 
  - TOGGLE STRAP PRESENT ON LTRK IO ONLY.
  - ARC SUPPRESSOR NOT PRESENT ON LTRK IO.
  - WIRE LTRK IO AS FOLLOWS:  
 (1) REMOVE METAL STRAP BETWEEN B4 AND B5.  
 (2) CONNECT W-R SPARE IN CONNECTOR F TO F7. CONNECT BL SPARE IN CONNECTOR F TO F15
  - IF LTRK IO SIGNAL GENERATOR IS USED IN STANDARD 20 OR 60 MA DC LINE, IT SHOULD NOT BE TRANSFERRED TO LOW VOLTAGE SERVICE WITHOUT REPLACING SIGNAL GENERATING CONTACTS.



NOTE: REVISION INFORMATION MUST ALSO BE REFLECTED ON THE ISSUE CONTROL RECORD WHICH IS PART OF THIS W.D.

3574WD		
REVISIONS		
ISSUE	DATE	AUTH. NO.
2	7-27-59	28-11455
3	8-7-59	28-11555
4	10-1-59	28-11795
5	11-6-59	28-11942
6	5-9-60	28-13170
7	2-25-65	86438
8	6-10-65	86849
9	1-21-66	86849-1
10	10-18-66	92039 RC
11	1-20-67	92604
12	8-28-67	94019 C

**RTTY ELECTRONICS**  
 TELETYPE=Sales-Service-Parts  
 PO Box 20101 El Sobrante, Ca.  
 94820. (510)222-3102  
 mr\_rtty@pacbell.net

SEE ISSUE CONTROL RECORD FOR COMPLETE LIST OF SHEETS COMPRISING THIS W.D.

SHEET 1

ACTUAL WIRING DIAGRAM  
 MODEL 28  
 SEND-RECEIVE  
 TYPING REPERFORATOR  
 KEYBOARD  
 LTRK I, -2, IO

**APPROVALS**

D AND R	E OF M
---------	--------

E-NUMBER  
 PROD. NO. 3574WD  
 DATE 12-9-58  
 P.D. FILE NO. 8A.65AA  
 DRAWN RSK/R.C.B. CHKD. J.R.  
 ENGD. GEW./S.L.L. APPD.

**TELETYPE CORPORATION**

3574WD

SEE SHEET 1 FOR NOTES

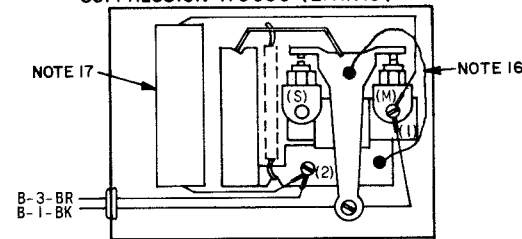
NOTE: REVISION INFORMATION MUST ALSO BE REFLECTED ON THE ISSUE CONTROL RECORD, WHICH IS PART OF THIS W.D.

3574WD

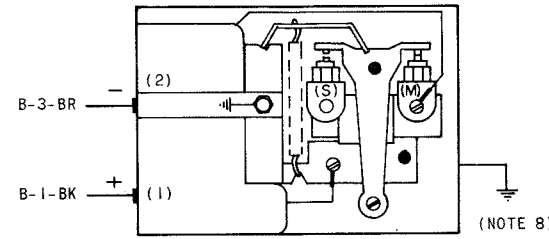
REVISIONS

ISSUE	DATE	AUTH. NO.
2	7-27-59	28-11465
3	8-7-59	28-11555
4	10-1-59	28-11795
5	11-6-59	28-11942
6	5-9-60	28-13170
7	2-25-65	86438
8	6-10-65	86849
9	1-21-66	86849-1
10	10-14-66	91921
11	10-18-66	92039RC
12	8-28-67	94019-C
13	11-9-67	94932-RC

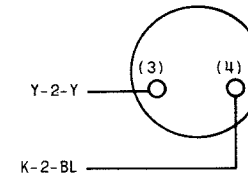
**L**  
SIGNAL GENERATOR CONTACT BOX ASSEMBLY WITH ARC SUPPRESSION (154166 (LTRK I))  
GOLD PLATED CONTACTS WITHOUT ARC SUPPRESSION (179639 (LTRK IO))



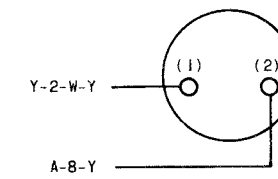
**L**  
CONTACT BOX ASSEMBLY ARC AND R.F. SUPPRESSION (LTRK-2)  
(154190 OR 195923)



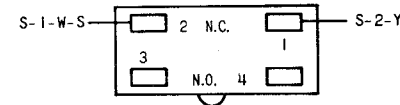
**M**  
END-OF-LINE INDICATOR LIGHT  
(SEE NOTE 6)



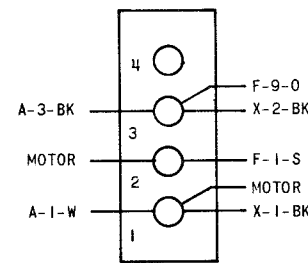
**N**  
LOW TAPE INDICATOR LIGHT  
(SEE NOTE 6)



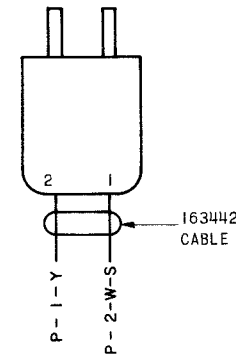
**P**  
LOW TAPE INDICATOR SWITCH



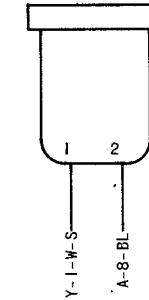
**R**  
MOTOR TERMINAL STRIP



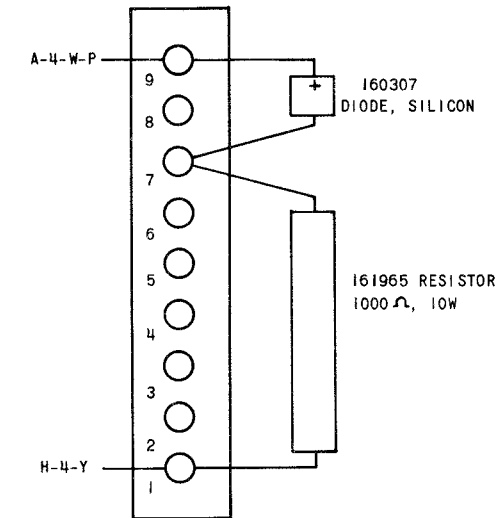
**S**  
LOW TAPE PLUG



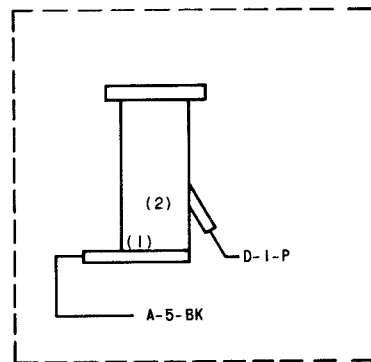
**T**  
LOW TAPE RECEPTACLE



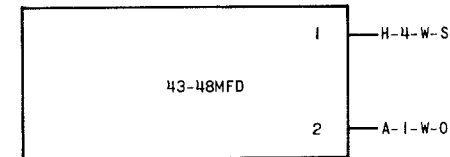
**U**  
AUXILIARY TERMINAL STRIP



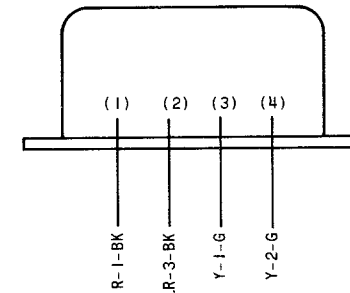
**V**  
FUSE HOLDER



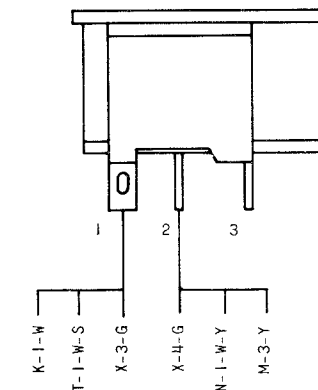
**W**  
CAPACITOR (122245)



**X**  
TRANSFORMER (158286)



**Y**  
COPY AND CHARACTER COUNTER LIGHT CONNECTOR



RTTY ELECTRONICS  
TELETYPE=Sales-Service-Parts  
PO Box 20101 El Sobrante, Ca.  
94820. (510)222-3102  
mr\_rtty@pacbell.net

SEE ISSUE CONTROL RECORD FOR COMPLETE LIST OF SHEETS COMPRISING THIS W.D.

SHEET 2

ACTUAL WIRING DIAGRAM  
MODEL 28  
SEND-RECEIVE  
TYPING REPERFORATOR  
KEYBOARD  
LTRK1, -2, 10

APPROVALS

D AND R *HAK* E OF M *[Signature]*

E-NUMBER

PROD. NO. 3574WD

DATE 12-9-58

P.D. FILE NO. BA.65AA

DRAWN RGK/R.C.B. CHKD. *[Signature]*

ENGD. G.E.W./S.J.L. APPD.

TELETYPE CORPORATION

3574WD