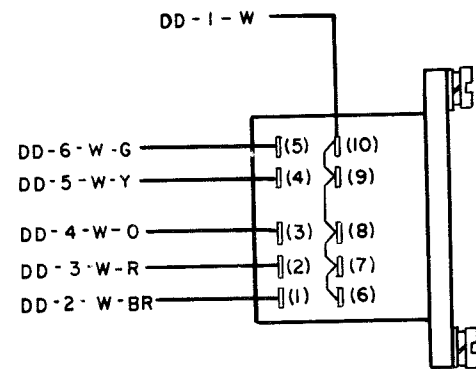
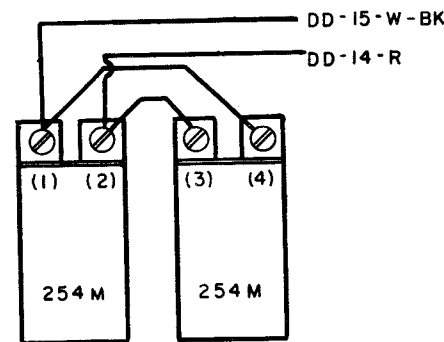


ISSUE	DATE	AUTH. NO.
A	1-20-58	TP-3016
B	12-9-58	28-10280

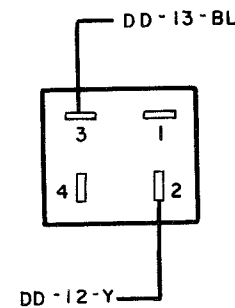
DA
CODE READING CONTACTS



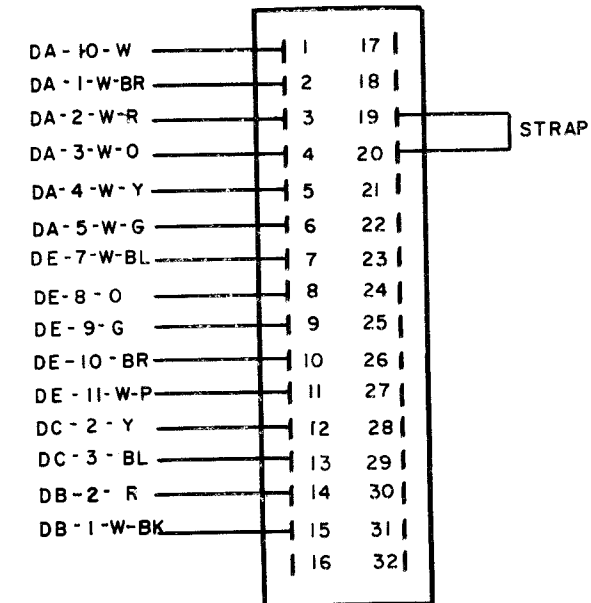
DB
SELECTOR COILS



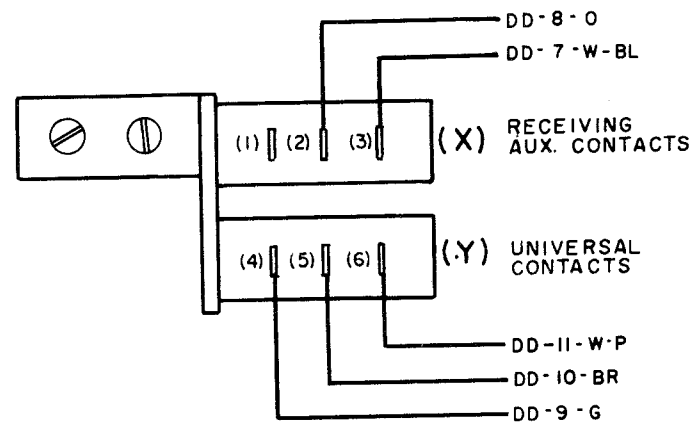
DC
ALARM CONNECTOR



DD
REPERFORATOR CONNECTOR



DE
AUXILIARY CONTACTS



FOR SCHEMATIC SEE 3281WD

ACTUAL WIRING DIAGRAM
MODEL 28
TYPING REPERFORATOR
LPR 3 AND LRPE 4

APPROVALS

D AND R E OF M

[Signatures]

E-NUMBER 12E 47

PROD. NO. 3457 WD

DATE: 10-26-57

P.D. FILE NO. 1-116.65 AA

DRAWN. P.S. CHKD.

ENG. A.A.H. APPD. *ja*

TELETYPE CORPORATION

3457WD

RTTY ELECTRONICS
TELETYPE=Sales-Service-Parts
PO Box 20101 El Sobrante, Ca.
94820. (510)222-3102
mr_rtty@pacbell.net