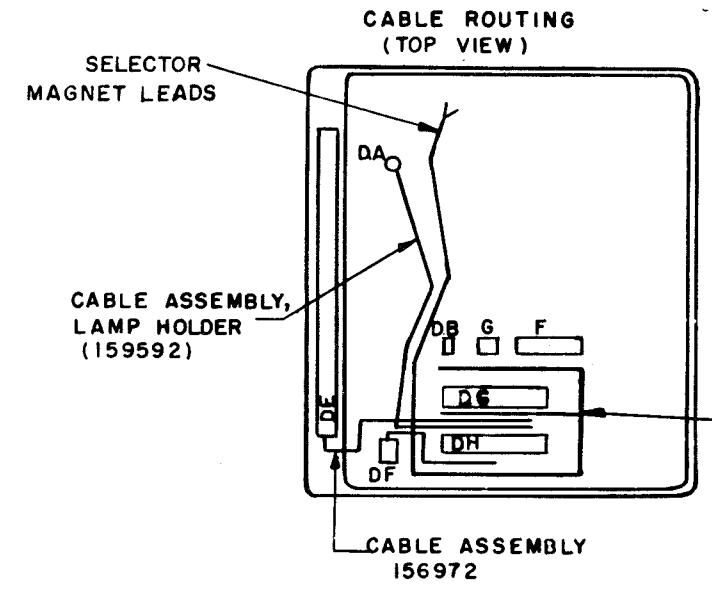
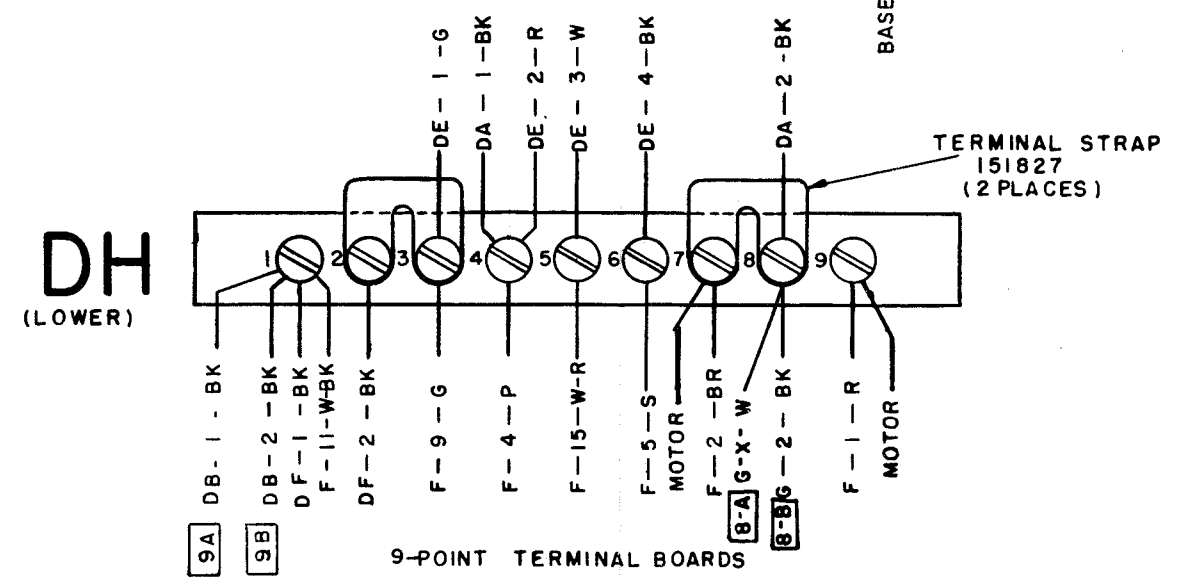
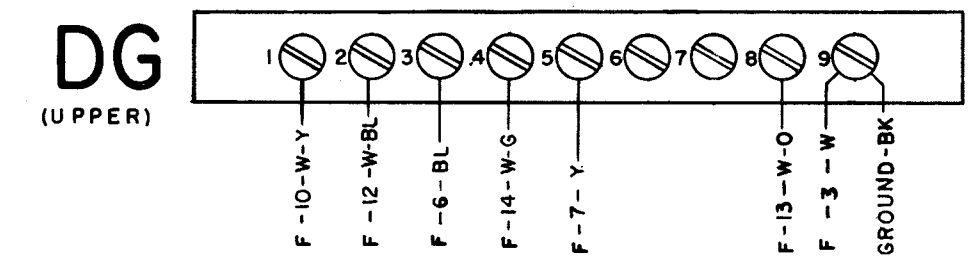
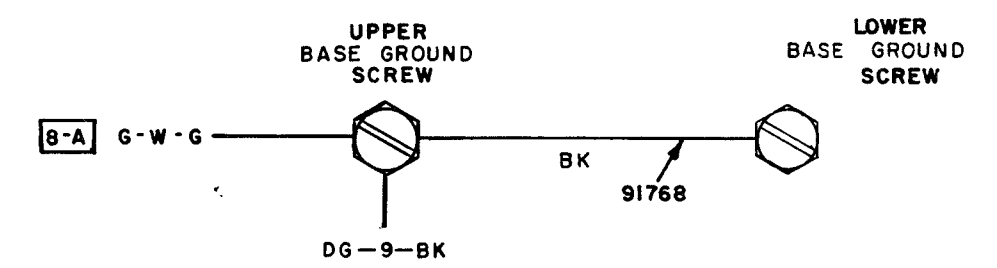
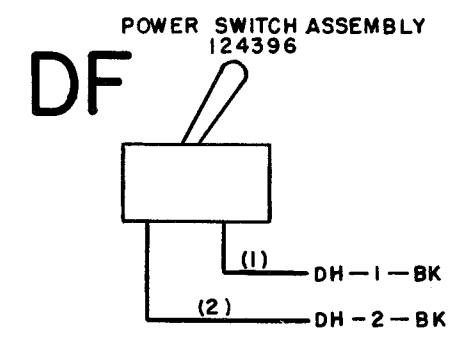
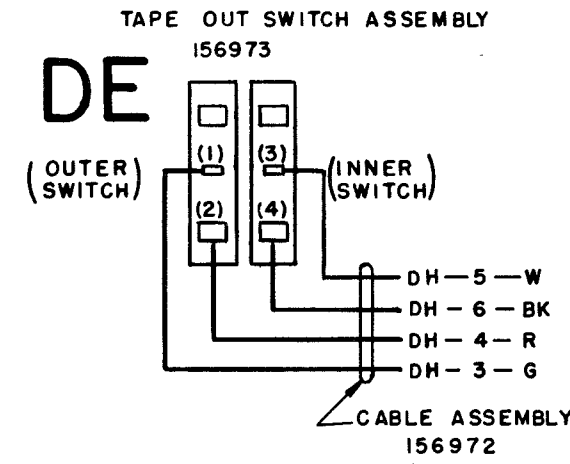
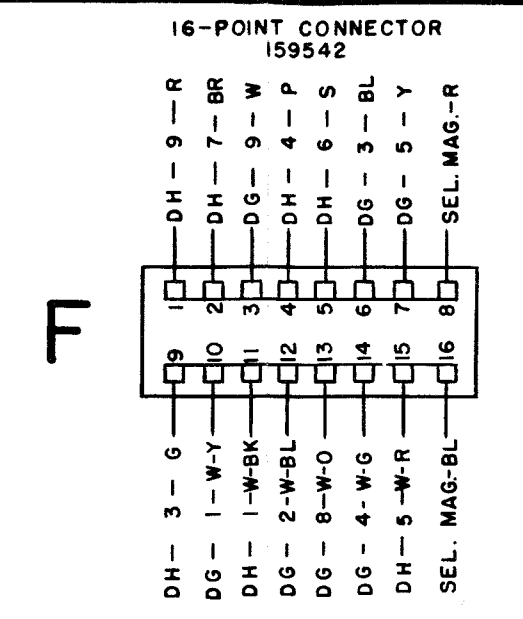
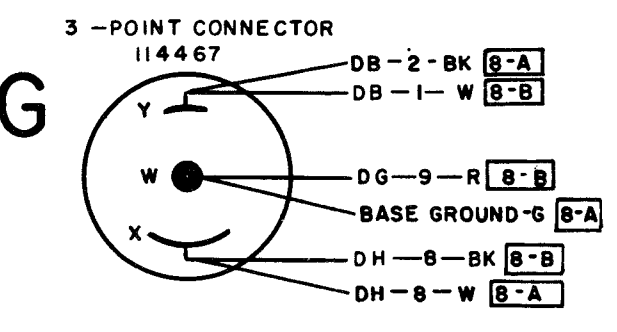
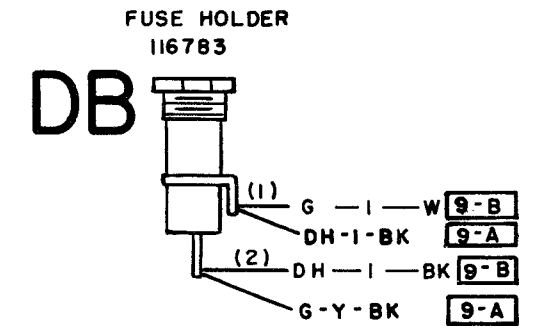
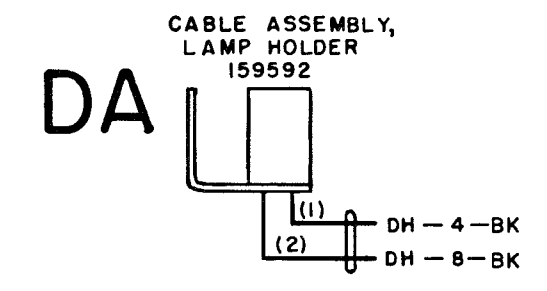


3319WD		
REVISIONS		
ISSUE	DATE	AUTH. NO.
1	8-5-57	TP-2093
2	4-3-58	ZB-8754
3	11-20-58	28-10215
4	8-4-59	28-11508
5	8-15-63	77 455
6	8-31-66	88827-1
7	2-3-67	88827-2

- NOTES**
- WIRING LEGEND**
 - COLOR CODE**
BK - BLACK
BR - BROWN
R - RED
O - ORANGE
Y - YELLOW
G - GREEN
BL - BLUE
S - SLATE
W - WHITE
P - PURPLE
 - ASSOCIATED CABLE ASSEMBLIES**
CABLE ASSEMBLY, CONTROL - 159928
CABLE ASSEMBLY - 156972
CABLE ASSEMBLY, LAMP HOLDER - 159592
 - 16 POINT CONNECTOR VIEWED FROM SOLDER END.**
 - TERMINAL DESIGNATIONS ENCLOSED IN PARENTHESIS ARE NOT MARKED ON COMPONENTS.**
 - FOR SCHEMATIC WIRING DIAGRAM SEE 3343 WD**
 - WIRING STATUS:**
RECTANGULAR BOX INDICATES HISTORY OF WIRING CHANGES.

NOTE B - DENOTES WIRING BEFORE THE CHANGE DESCRIBED BY THE DESIGNATED NOTE ENTERED THE PRODUCT.
NOTE A - DENOTES WIRING AFTER THE CHANGE DESCRIBED BY THE DESIGNATED NOTE ENTERED THE PRODUCT.
 - 3 POINT CONNECTOR HAS BEEN CHANGED TO MEET DESIGN STANDARDS AND U.L. WIRING PROCEDURES.**
 - FUSE HOLDER HOOK-UP HAS BEEN CHANGED TO MEET STANDARDS AND U.L. WIRING PROCEDURES**

RTTY ELECTRONICS
TELETYPE=Sales-Service-Parts
PO Box 20101 El Sobrante, Ca.
94820. (510)222-3102
mr_rtty@pacbell.net



LRB3-28A
ACTUAL WIRING DIAGRAM MODEL 28 REPERFORATOR BASE LRB 3,11

APPROVALS
D AND R: [Signature]
E OF M: [Signature]

E NUMBER
PROD NO. 3319 WD
DATE: 5-28-57
P.D. FILE NO-4-49-65AA
DRAWN: R.C. CHKD: [Signature]
ENGD. H.S.P. APPD: [Signature]

TELETYPE CORPORATION