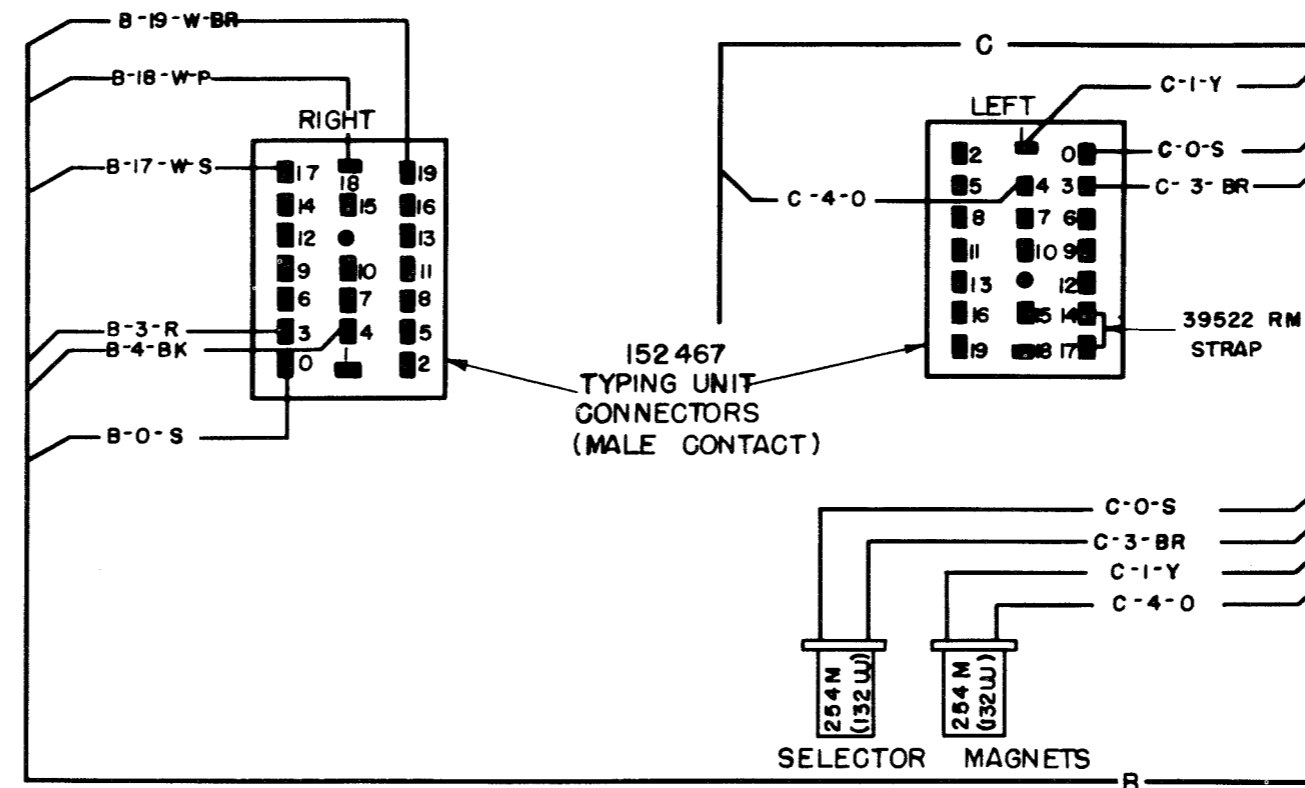
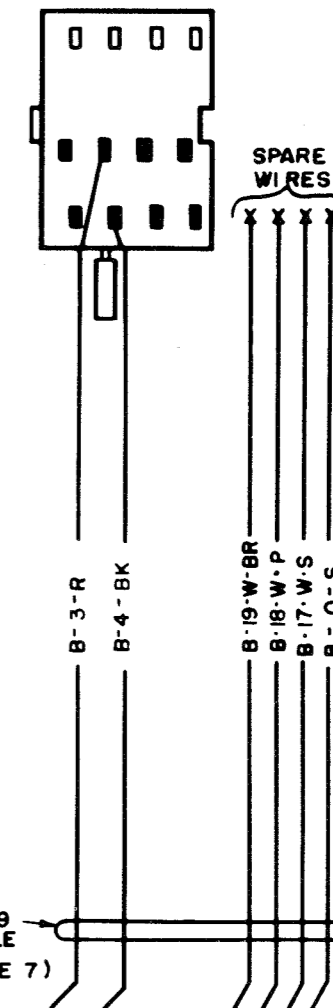


3290 WD

ISSUE	DATE	AUTH. NO.
B	7-1-58	28-6943-2
C	10-14-60	28-13541

172 506
SWITCH
ASSEMBLY



- NO. NOTES**
1. WIRING CHANNELS DESIGNATED BY "B" AND "C" DO NOT REPRESENT CABLES, BUT ASSIST IN TRACING CONNECTIONS.
 2. CHANNEL LEGEND

—	CHANNEL IDENTIFICATION
—	CHANNEL WIRE NUMBER
C-8-W-BL	WIRE COLOR CODE
 3. POWER CIRCUITS WIRED FOR 115V-60 A.C. OR 115V D.C. OPERATION SEE NOTE 6
 4. COLOR CODE:

BK - BLACK	R - RED
W - WHITE	BR - BROWN
Y - YELLOW	O - ORANGE
S - SLATE	BL - BLUE
 5. CONNECTORS VIEWED FROM SOLDERED TERMINAL ENDS.
 6. ASSOCIATED LESU MUST BE EQUIPPED WITH AC-DC CONVERSION ASSEMBLY FOR DC OPERATION OF SIGNAL BELL CONTACTS
 152021 FOR LESU 5
 152624 FOR LESU 7
 7. THIS CABLE IS FURNISHED WITH STUNT BOX.
 8. NORMALLY OPEN CONTACT
 NORMALLY CLOSED CONTACT

RTTY ELECTRONICS
 TELETYPE=Sales-Service-Parts
 PO Box 20101 El Sobrante, Ca.
 94820. (510)222-3102
 mr_rtty@pacbell.net

ACTUAL WIRING DIAGRAM
 MODEL 28
 TYPING UNIT
 LP, 41, 47
 STUNT BOX
 AEG

APPROVALS
 D AND R: *[Signature]* E OF M: *[Signature]*

E-NUMBER
 PROD. NO. 3290 WD

DATE: 12-1-56
 P.D. FILE NO. 45-30.65AA

DRAWN E. R. CHKD *[Signature]*
 ENGD V.C. APPD *[Signature]*

TELETYPE CORPORATION
 3290WD