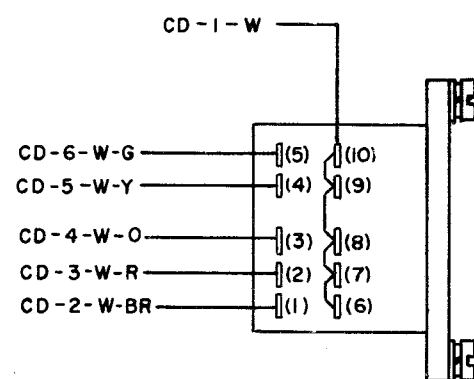
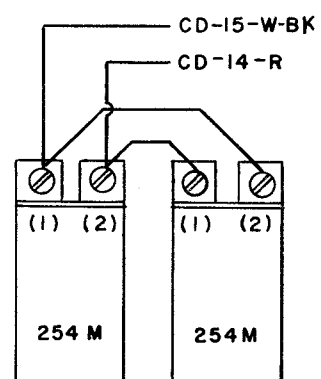


REVISIONS		
ISSUE	DATE	AUTH. NO.
A	6-13-57	TP-1891
B	11-5-57	TP-2623
C	4-15-58	28-8911
D	12-9-58	28-10280

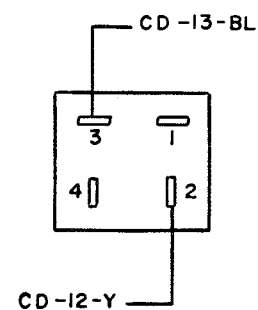
CA  
CODE READING CONTACTS



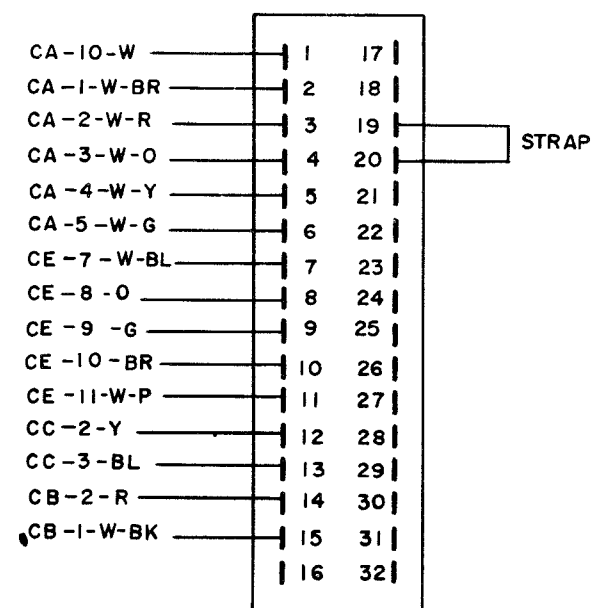
CB  
SELECTOR COILS



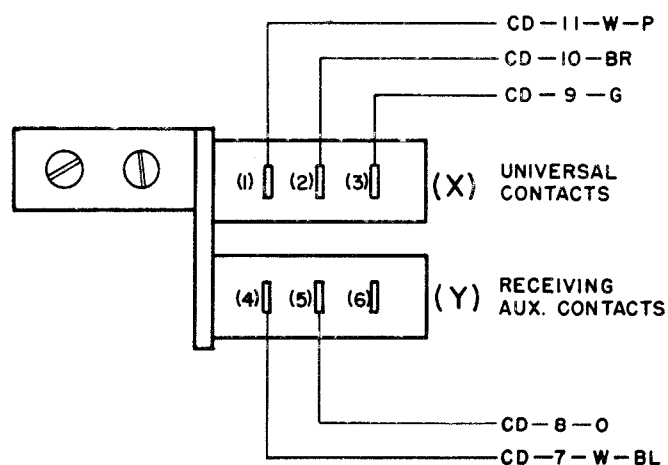
CC  
ALARM CONNECTOR



CD  
REPERFORATOR CONNECTOR



CE  
AUXILIARY CONTACTS



APPROVALS	
D AND R	E D F M
<i>[Signature]</i>	<i>[Signature]</i>
E. NUMBER	
PROD. NO. 3278 WD	

FOR SCHEMATIC SEE 3281 WD

ACTUAL  
WIRING DIAGRAM

MODEL 28  
REPERFORATOR  
LRPE2

DATE: 2-11-57	
P.D. FILE NO. 1-116.65AA	
DRAWN E.K.S.	CHKD. R.D.
ENGD. A.A.H.	APPD. <i>[Signature]</i>

TELETYPE  
CORPORATION

RTTY ELECTRONICS  
TELETYPE=Sales-Service-Parts  
PO Box 20101 El Sobrante, Ca.  
94820. (510)222-3102  
mr\_rtty@pacbell.net