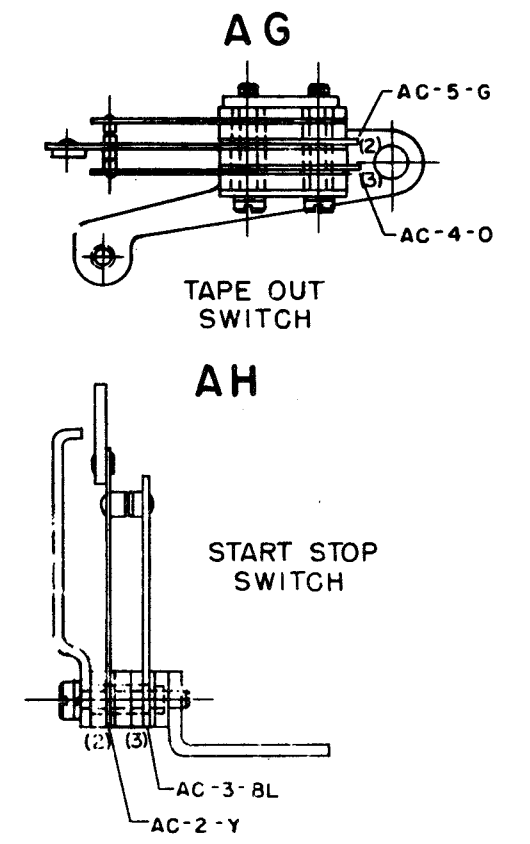
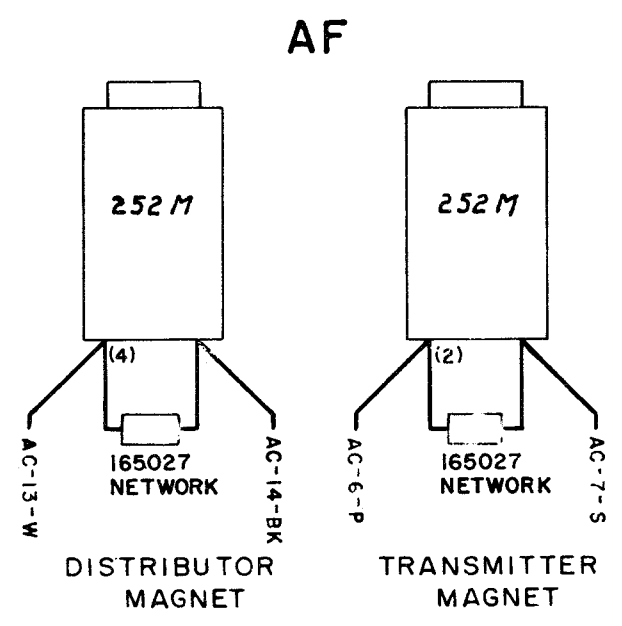
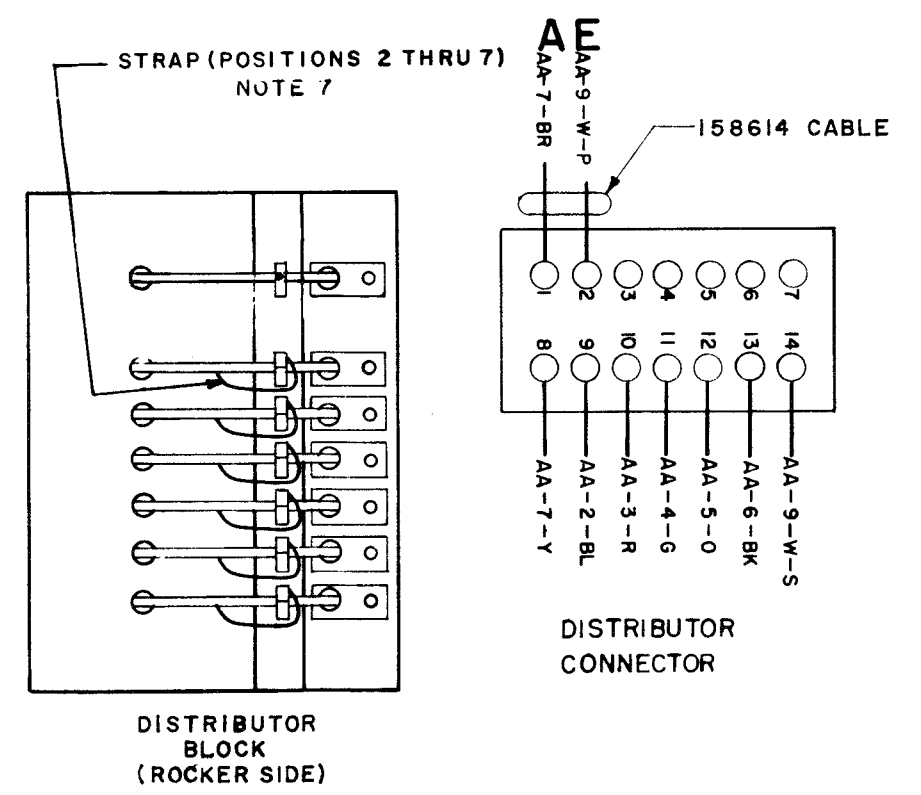
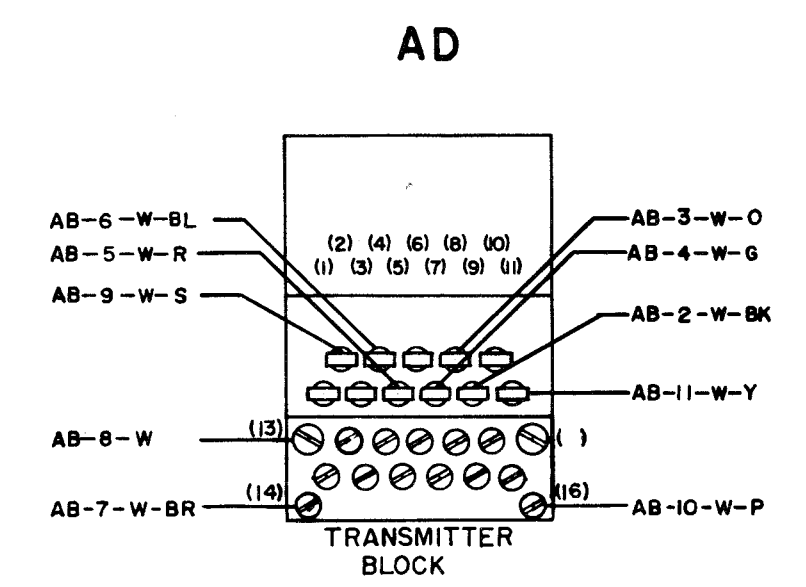
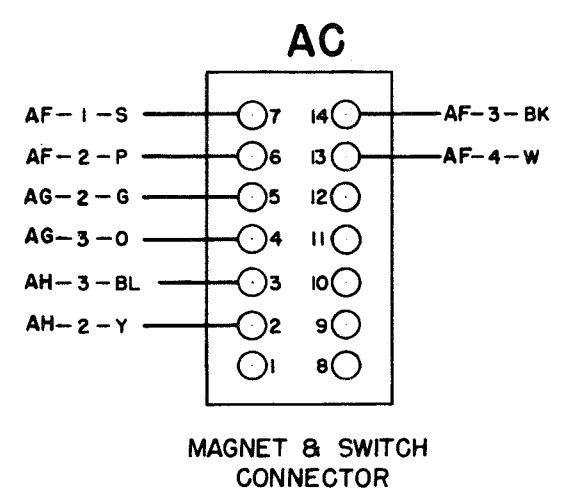
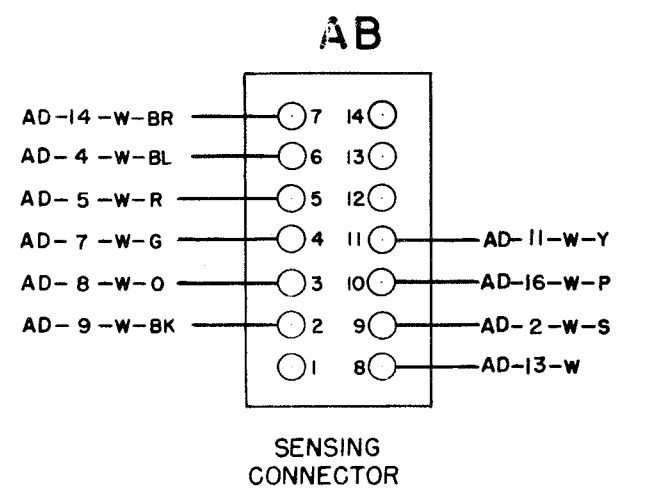
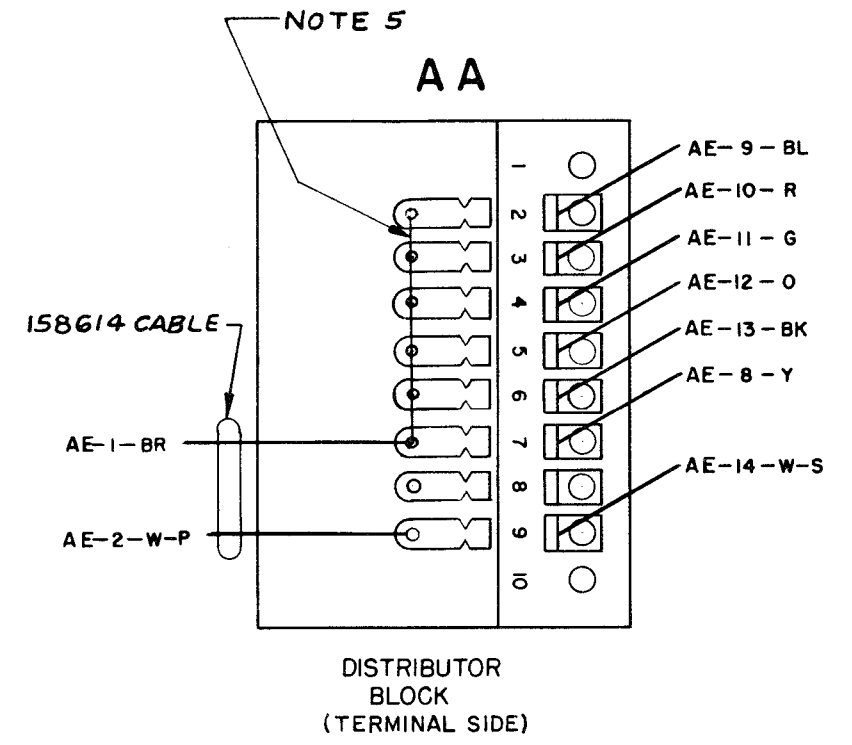


- NO.** **NOTES**
1. WIRING LEGEND:
 - DISTANT TERMINAL AREA.
 - DISTANT TERMINAL DESIGNATED
 - A-I-W WIRE COLOR
 2. COLOR CODE:

BK-BLACK	P-PURPLE	W-BK-WHITE	BLACK
BL-BLUE	R-RED	W-BL-WHITE	BLUE
BR-BROWN	S-SLATE	W-BR-WHITE	BROWN
G-GREEN	W-WHITE	W-G-WHITE	GREEN
O-ORANGE	Y-YELLOW	W-O-WHITE	ORANGE
W-P-WHITE PURPLE		W-R-WHITE	RED
W-S-WHITE SLATE		W-Y-WHITE	YELLOW
 3. —X TAPED WIRES, —X SPLICED & TAPED
 4. CONNECTOR VIEWED FROM SOLDER TERMINAL END.
 5. STRAP WITH 39522 RM WIRE AS INDICATED.
 6. THE 165027 NETWORK IS USED ON THE LBXD5 & 25 ONLY.
 7. ROCKER-ROCKER GUIDE STRAP; LBXD 25 ONLY. PART OF 304525 ROCKER ASSEMBLY.



3251 WD

REVISIONS

ISSUE	DATE	AUTH. NO.
A2	1-25-57	TP-1031
B3	5-23-57	TP-1750
C4	8-6-57	TP-2100
D5	10-25-57	TP-2643
E6	2-4-58	TP-3075
F7	4-3-58	28-8873
G8	4-29-58	28-9071
H9	5-13-59	28-11169
J10	5-22-63	76872
K11	12-3-63	79183
L12	8-18-65	87498

ACTUAL WIRING DIAGRAM FOR LBXD

LBXD5=28F
LBXD7=28G
L

DATE: 10-10-56

RD. FILE NO. 4-58,65AA

DRAWN K.F.L. CHKD. *PD*

ENGD. H.M.W. APPD. *RNK*

TELETYPE CORPORATION

3251WD

RTTY ELECTRONICS
TELETYPE=Sales-Service-Parts
PO Box 20101 El Sobrante, Ca.
94820. (510)222-3102
mr_rtty@pacbell.net