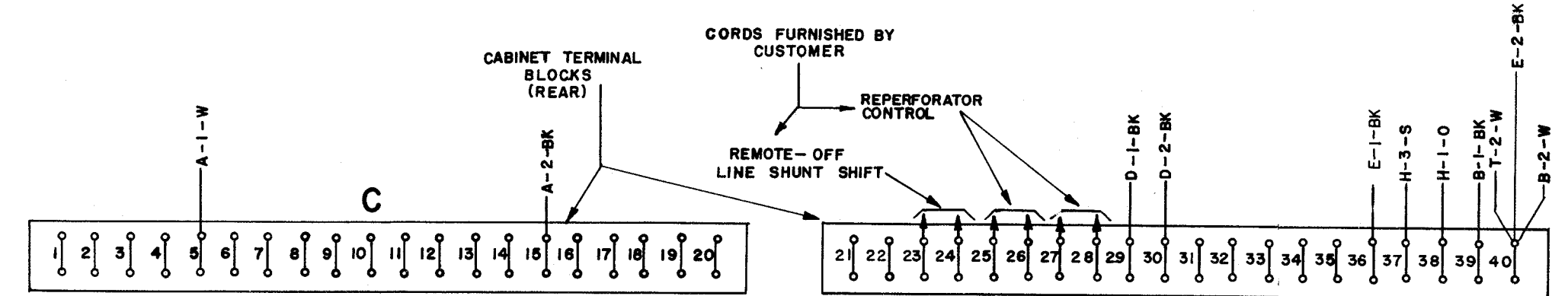
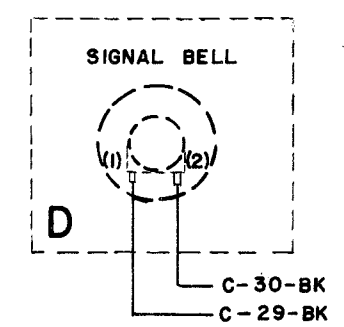
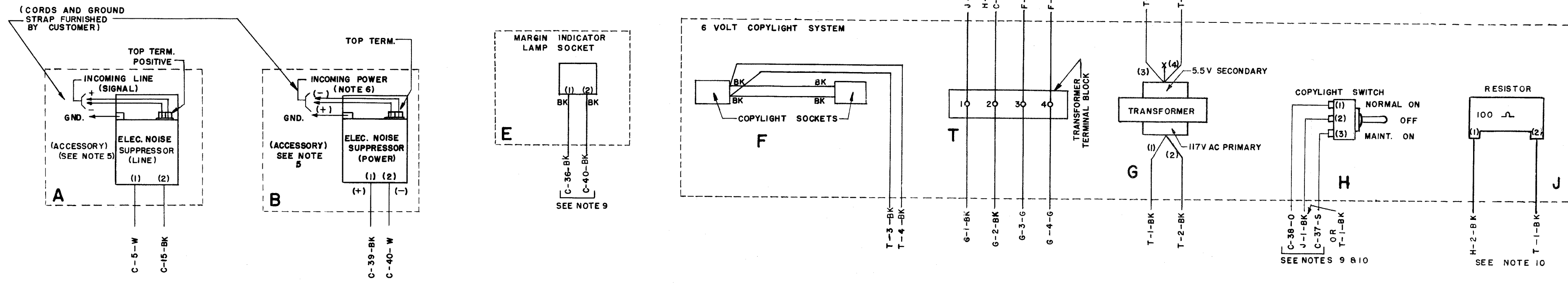


NO.	NOTES																				
1	<p>WIRING LEGEND.</p> <p>— DISTANT TERMINATING AREA</p> <p>— DISTANT TERMINAL DESIGNATION</p> <p>A-I-W WIRE COLOR CODE</p>																				
2	<p>COLOR CODE:</p> <table border="0"> <tr> <td>BK-BLACK</td> <td>P-PURPLE</td> <td>W-BK-WHITE BLACK</td> <td>W-P-WHITE PURPLE</td> </tr> <tr> <td>BL-BLUE</td> <td>R-RED</td> <td>W-BL-WHITE BLUE</td> <td>W-R-WHITE RED</td> </tr> <tr> <td>BR-BROWN</td> <td>S-SLATE</td> <td>W-BR-WHITE BROWN</td> <td>W-S-WHITE SLATE</td> </tr> <tr> <td>G-GREEN</td> <td>W-WHITE</td> <td>W-G-WHITE GREEN</td> <td>W-Y-WHITE YELLOW</td> </tr> <tr> <td>O-ORANGE</td> <td>Y-YELLOW</td> <td>W-O-WHITE ORANGE</td> <td></td> </tr> </table>	BK-BLACK	P-PURPLE	W-BK-WHITE BLACK	W-P-WHITE PURPLE	BL-BLUE	R-RED	W-BL-WHITE BLUE	W-R-WHITE RED	BR-BROWN	S-SLATE	W-BR-WHITE BROWN	W-S-WHITE SLATE	G-GREEN	W-WHITE	W-G-WHITE GREEN	W-Y-WHITE YELLOW	O-ORANGE	Y-YELLOW	W-O-WHITE ORANGE	
BK-BLACK	P-PURPLE	W-BK-WHITE BLACK	W-P-WHITE PURPLE																		
BL-BLUE	R-RED	W-BL-WHITE BLUE	W-R-WHITE RED																		
BR-BROWN	S-SLATE	W-BR-WHITE BROWN	W-S-WHITE SLATE																		
G-GREEN	W-WHITE	W-G-WHITE GREEN	W-Y-WHITE YELLOW																		
O-ORANGE	Y-YELLOW	W-O-WHITE ORANGE																			
3	X-DENOTES SPLICED AND TAPED WIRES.																				
4	COMPONENTS SHOWN DOTTED ARE ACCESSORIES TO CABINET.																				
5	USE POWER AND SIGNAL LINE INTERFERENCE SUPPRESSORS FOR INSTALLATIONS REQUIRING MINIMUM R.F. INTERFERENCE. FOR OTHER INSTALLATIONS, OMIT SUPPRESSORS AND CONNECT INPUTS DIRECTLY TO TERMINALS SHOWN.																				
6	CABINET POWER CIRCUIT WIRED FOR 115V. 50-60~A.C. OPERATION ONLY. THE ASSOCIATED ELECTRICAL SERVICE UNIT MUST BE WIRED FOR A.C. OPERATION.																				
7	NECESSARY STRAP CONNECTIONS AT THE CABINET TERMINAL BLOCKS ARE SHOWN ON THE ASSOCIATED ELECTRICAL SERVICE UNIT WIRING DIAGRAM SEE THE LESU7 ACCESSORY GROUP B.M. FOR THE DIAGRAM NUMBER.																				
8	CONNECTOR VIEWED FROM SOLDER TERMINAL END.																				
9	ROUTE MARGIN INDICATOR CABLE ALONG COPYLIGHT CABLE AND COPYLIGHT SWITCH CABLES. FASTEN INDICATOR AND SWITCH CABLES UNDER LOWER LEFT HAND MOUNTING SCREW FOR THE RIGHT CABINET HINGE WITH CABLE CLAMPS, LOCK WASHERS, AND SCREWS SUPPLIED WITH THE COPYLIGHT KIT.																				
10	AREA "J" IS NOT AVAILABLE WHEN USING THE 159357 MOD. KIT, THEREFORE AREA "H" & "T" ARE WIRED IN THE ALTERNATE METHOD.																				



SEE APPROPRIATE ELECTRICAL SERVICE UNIT WIRING DIAGRAM (AS INDICATED ON THE LESU7 ACCESSORY GROUP B.M.)

FOR SCHEMATIC SEE ASSOCIATED LESU WD

3236 WD		
REVISIONS		
ISSUE	DATE	AUTH. NO.
A	11-26-56	28-7193
B	12-19-56	28-7260
C	7-11-57	28-7723
D	8-8-58	28-9690
E	10-14-58	28-9997
F	11-20-58	28-10197
G	3-11-59	28-10785
H	3-25-59	28-10913

ACTUAL WIRING DIAGRAM FOR MODEL 28 PAGE PRINTER CABINETS

LAC 203, 204, 205 ARRANGED FOR AC APPLICATION

ACC- GROUPS 137, 148, 149, 194, 195, 221, 222, 236, 237, 238, 239, 250

DATE: 7-24-56

P.D. FILE NO. 2-30.65.156 A

DRAWN: J.T.D. CHKD.

ENGD. T.T.H. APPD.

TELETYPE CORPORATION

3236 WD

RTTY ELECTRONICS
 TELETYPE=Sales-Service-Parts
 PO Box 20101 El Sobrante, Ca.
 94820. (510)222-3102
 mr_rtty@pacbell.net