
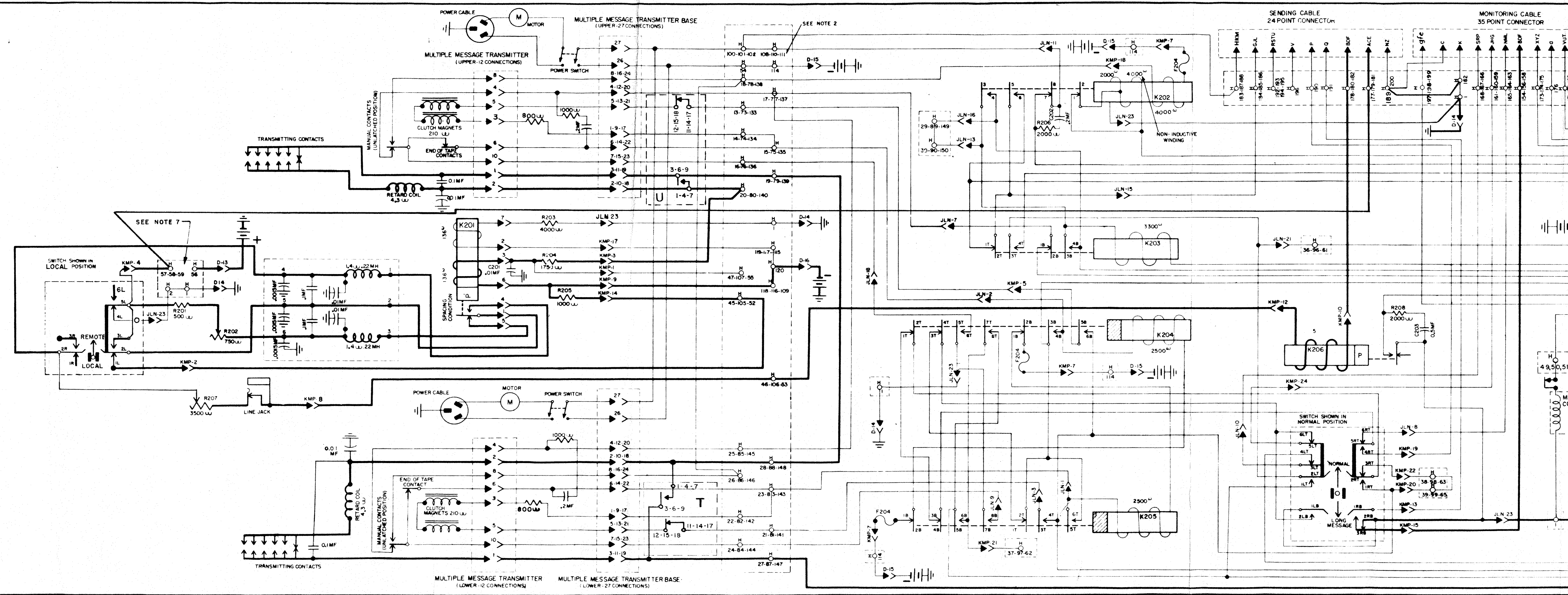
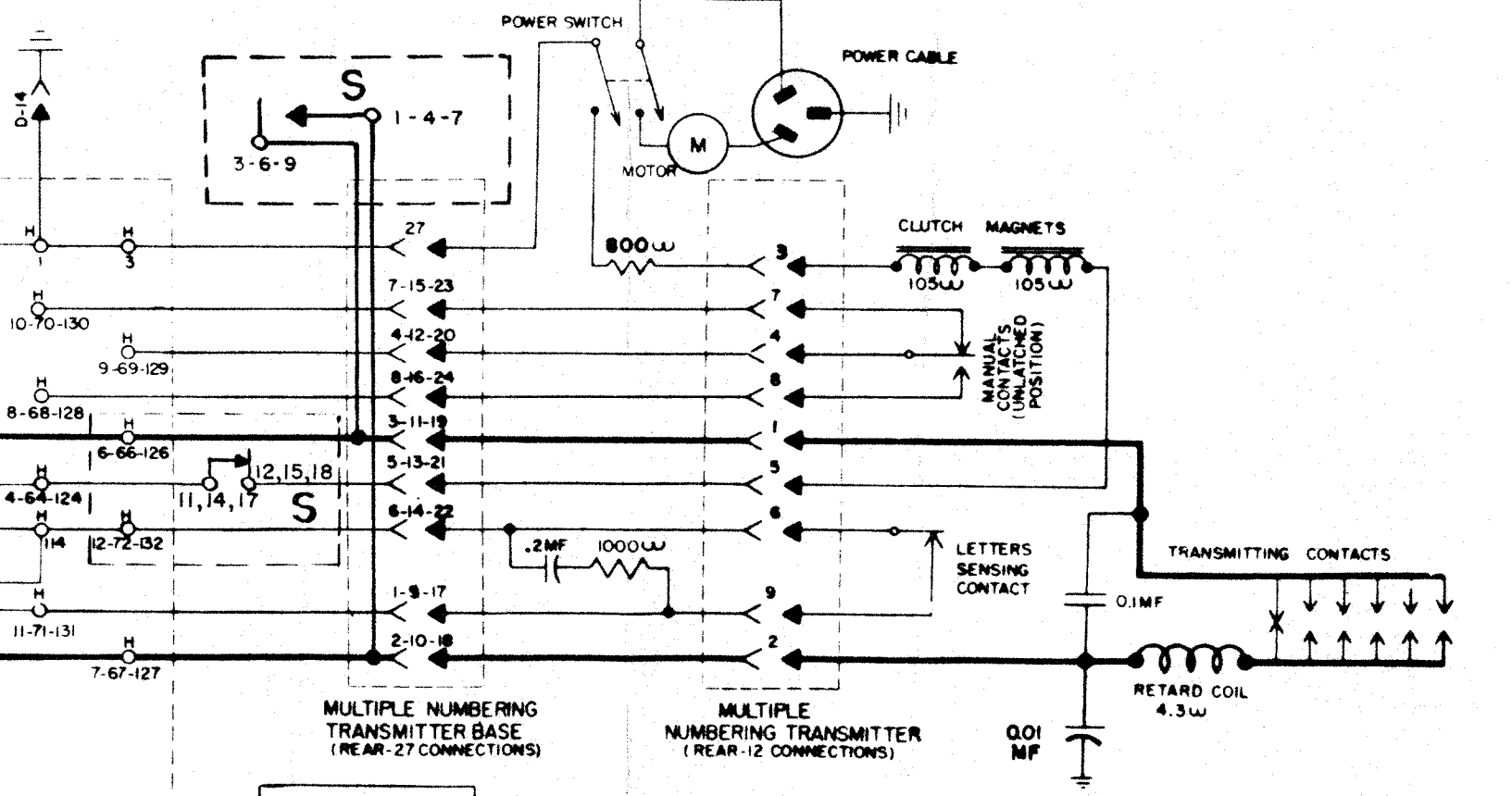
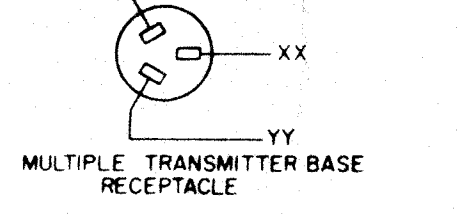
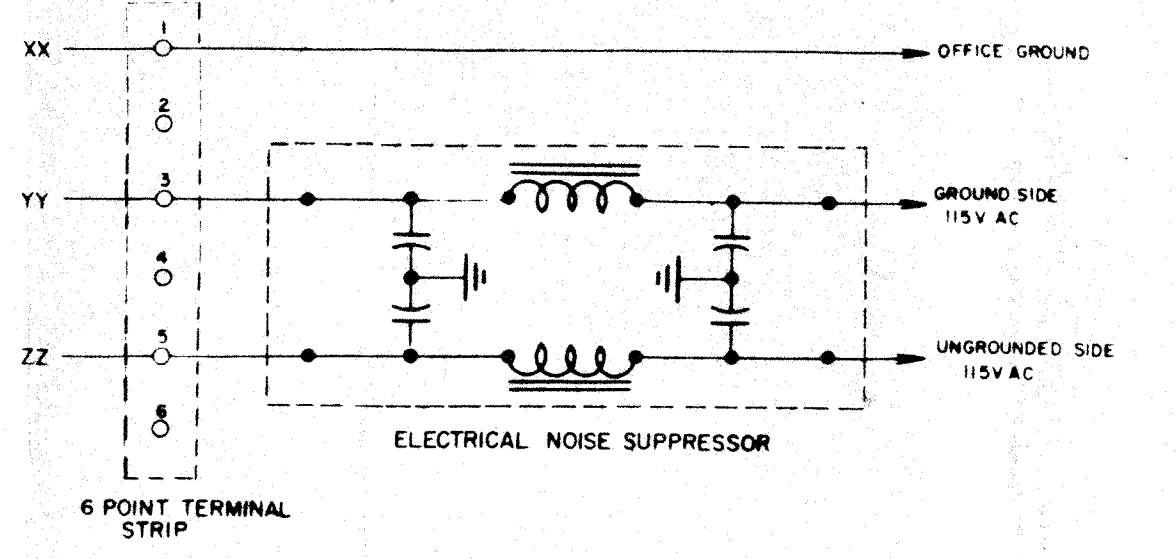
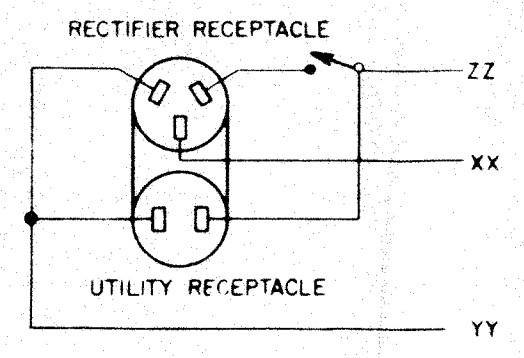
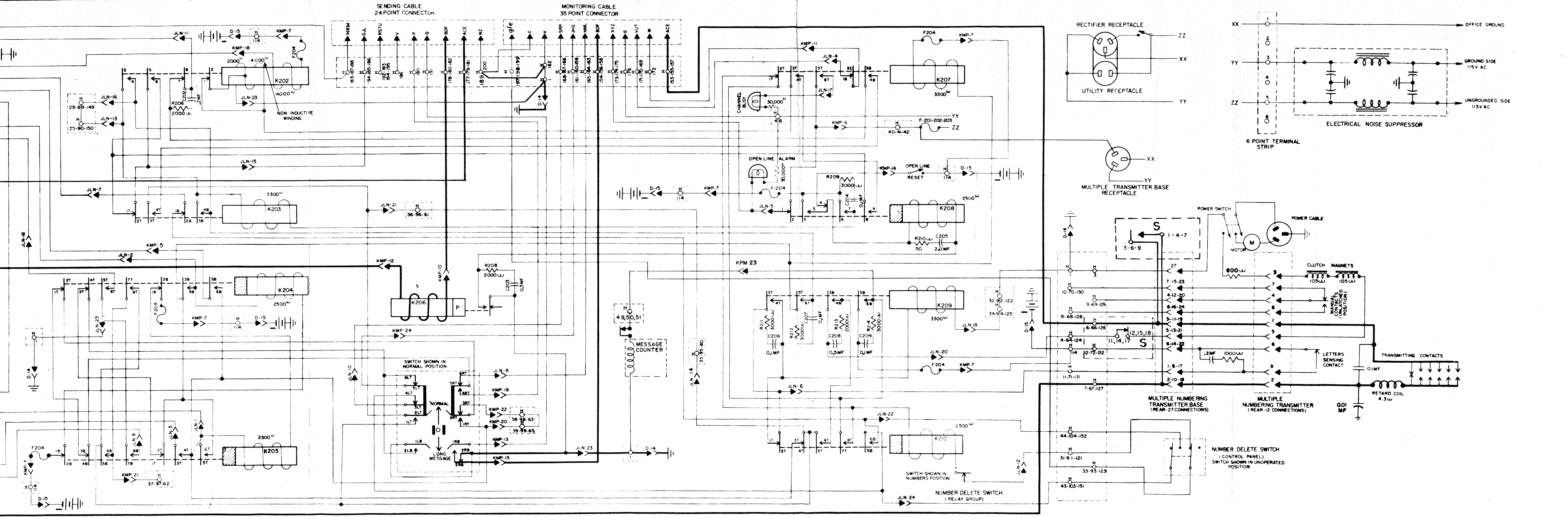


| NO. | NOTES | | | | | | |
|--|---|---|---------------------------|---|---|------------------------|---|
| 1 | 3150 WD ACTUAL WIRING DIAGRAM FOR AC259. | | | | | | |
| 2 | SEQUENCES REPRESENT CIRCUITS 1,2 AND 3 RESPECTIVELY. | | | | | | |
| 3 | CONNECTORS ARE SHOWN FROM SLOT AND PRONG ENDS. | | | | | | |
| 4 | CIRCUIT DESIGNATIONS ARE AS FOLLOWS: H-200 POINT TERMINAL BLOCK. JLN-UPPER RELAY GROUP SLIP CONNECTIONS FOR CIRCUITS 1,2 AND 3 RESPECTIVELY. KMP-LOWER RELAY GROUP SLIP CONNECTIONS FOR CIRCUITS 1,2 AND 3 RESPECTIVELY. D-RECTIFIER RECEPTACLE (DC). S-LINE SHORTING SWITCH - NUMBERING T-LINE SHORTING SWITCH - LOWER U-LINE SHORTING SWITCH - UPPER | | | | | | |
| 5 | TYPES OF RELAYS ARE DESIGNATED AS FOLLOWS:  SLOW RELEASE RELAY HEEL END SLUG POLAR RELAY RELAY CONTACTS ARE NUMBERED FROM COIL OUT. | | | | | | |
| 6 | HEAVY LINES INDICATE SIGNAL CIRCUITS - LOCAL AND EXTERNAL. | | | | | | |
| 7 | FOR POLAR-NEUTRAL OPERATION, CONVERT AS FOLLOWS. <table border="0"> <tr> <td>REMOVE 5L TO KMP4 3L TO 5L R207 TO 2R</td> <td>LOCAL REMOTE SWITCH</td> <td>ADD 6L TO KMP4 3L TO IR R207 TO IR IL TO 3R</td> </tr> <tr> <td>H 57 TO H17 H58 TO H179 H59 TO H181</td> <td>H TERMINAL BLOCK</td> <td>STRAP H56, H57, H58 AND H 59 STRAP H162, H177, H179, H181 AND H189</td> </tr> </table> REVERSE MARKING PLATE TO SHOW POLAR NEUTRAL | REMOVE 5L TO KMP4 3L TO 5L R207 TO 2R | LOCAL REMOTE SWITCH | ADD 6L TO KMP4 3L TO IR R207 TO IR IL TO 3R | H 57 TO H17 H58 TO H179 H59 TO H181 | H TERMINAL BLOCK | STRAP H56, H57, H58 AND H 59 STRAP H162, H177, H179, H181 AND H189 |
| REMOVE 5L TO KMP4 3L TO 5L R207 TO 2R | LOCAL REMOTE SWITCH | ADD 6L TO KMP4 3L TO IR R207 TO IR IL TO 3R | | | | | |
| H 57 TO H17 H58 TO H179 H59 TO H181 | H TERMINAL BLOCK | STRAP H56, H57, H58 AND H 59 STRAP H162, H177, H179, H181 AND H189 | | | | | |
| 8 | POWERED BY REC 47. | | | | | | |

RTTY ELECTRONICS
TELETYPE=Sales-Service-Parts
PO Box 20101 La Sobrante, Ca.
94820. (510) 222-3102
mr_rtty@pacbell.net



| REVISIONS | |
|-----------|----------------|
| A | 9-19-55 61819 |
| B | 11-18-55 62159 |



3151 WD
4-19-55

SCHEMATIC FOR SENDING CABINET

AC259 WITH ASSOCIATED EQUIPMENTS FOR AN/FGC-38

DRAWN: V.W. APPROVED: [Signature]
ENGR: DEM

CHECKED: [Signature]

FILE: 6-A2A

TELETYPE CORPORATION