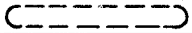

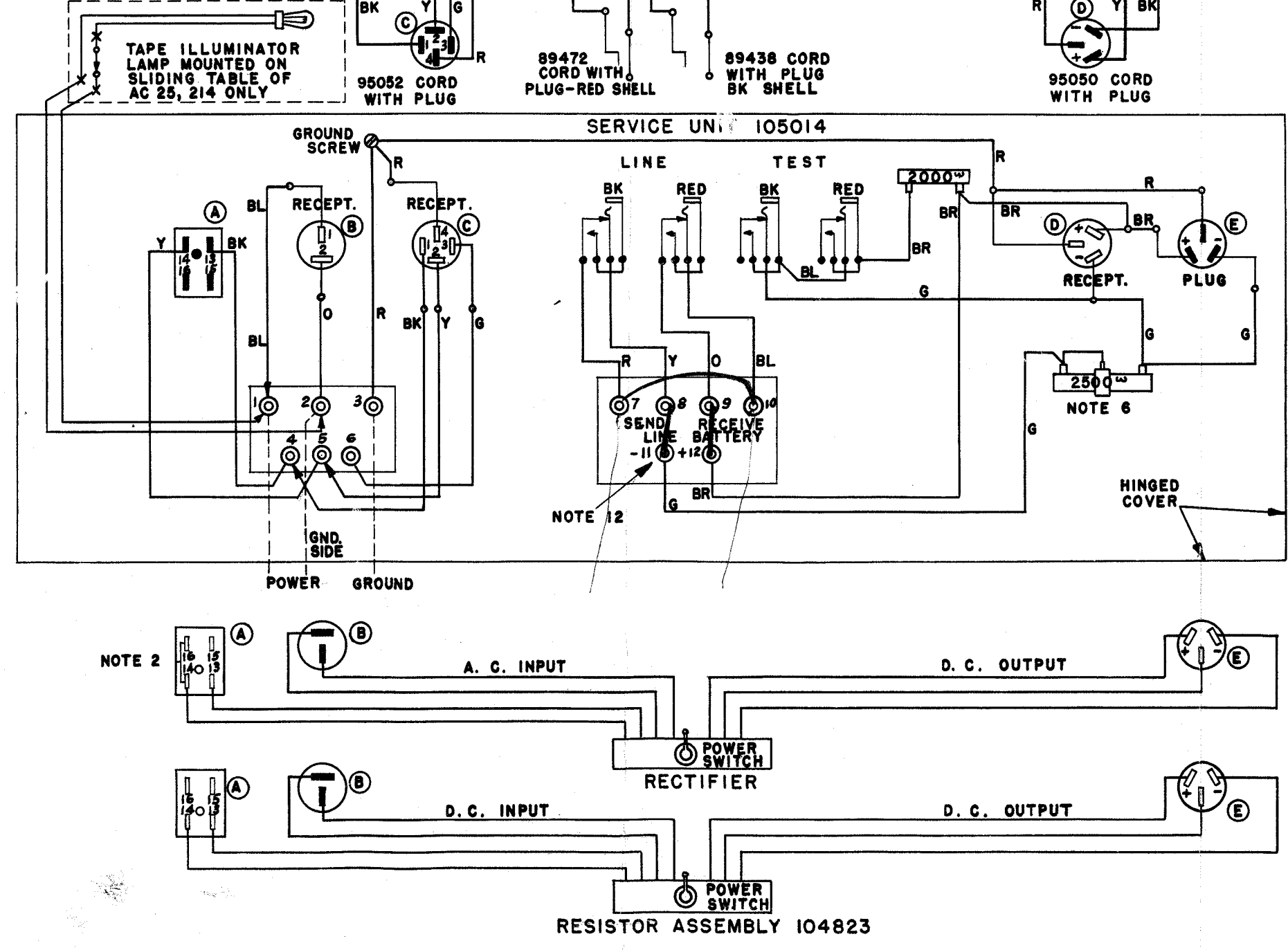
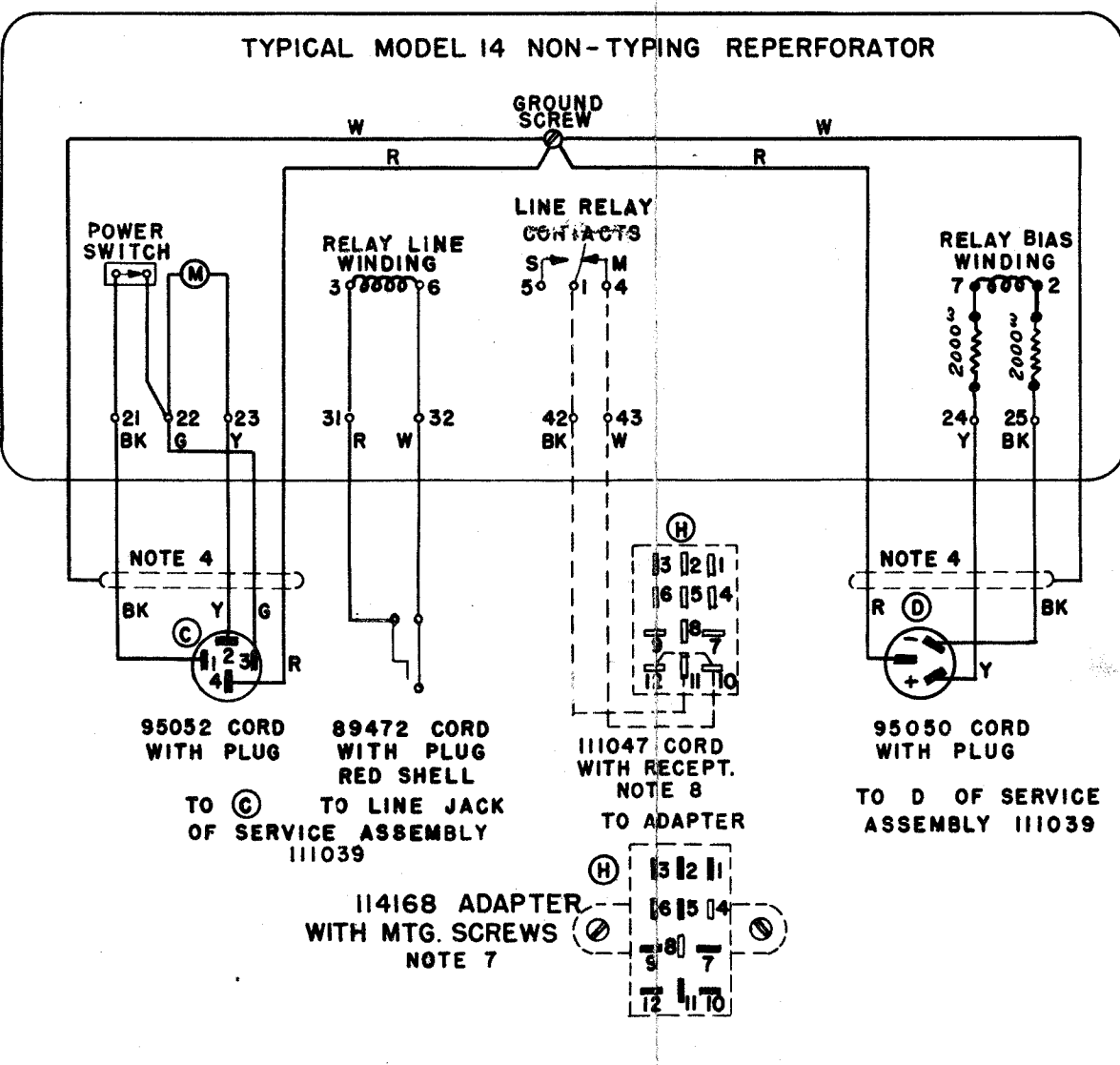
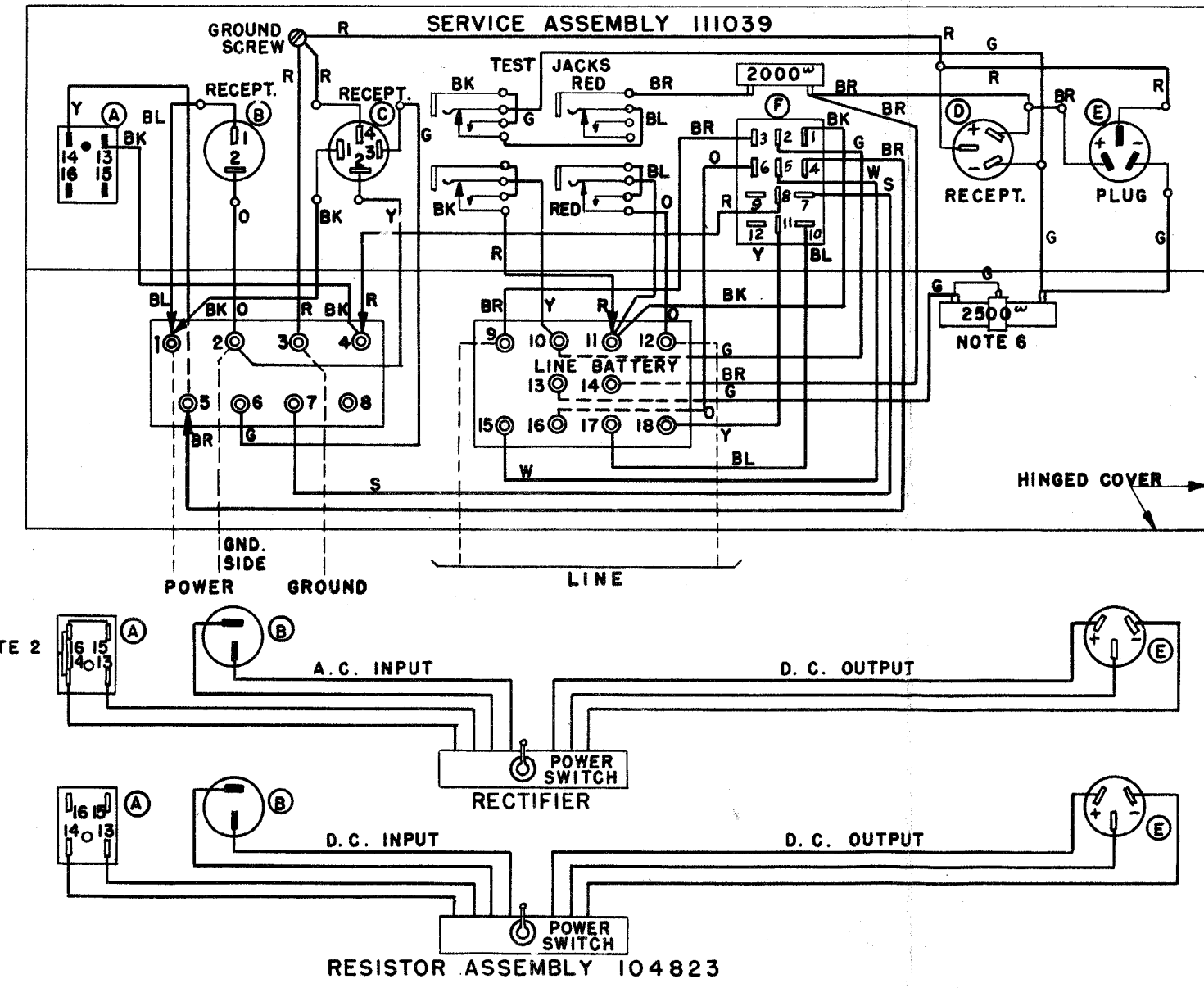
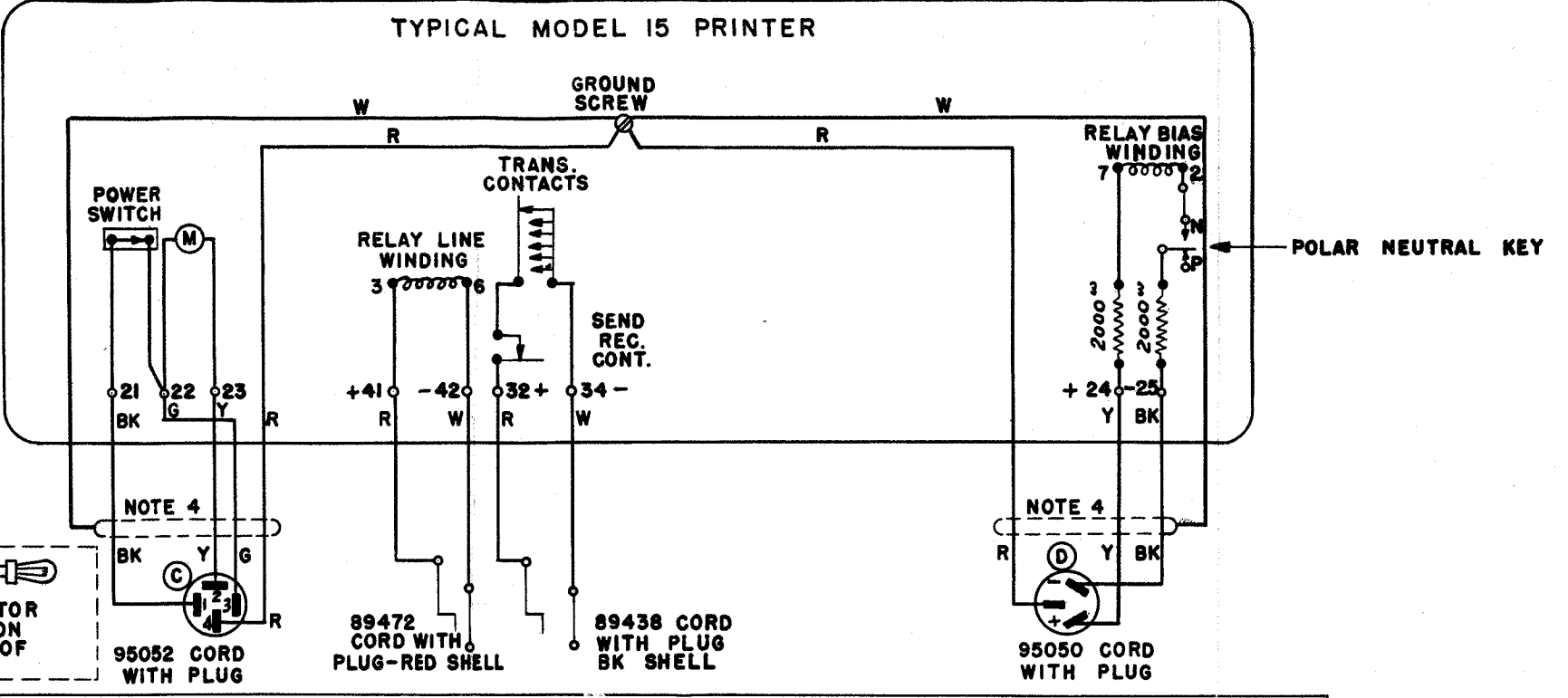
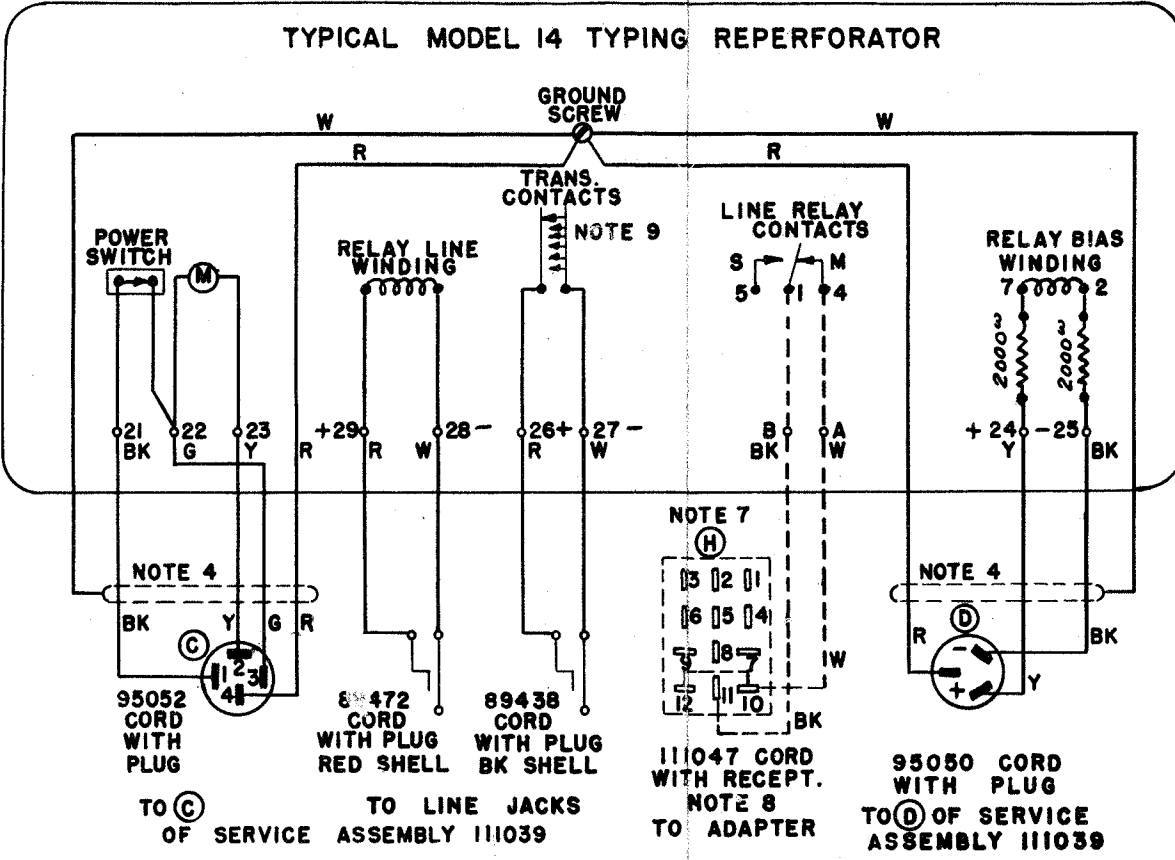
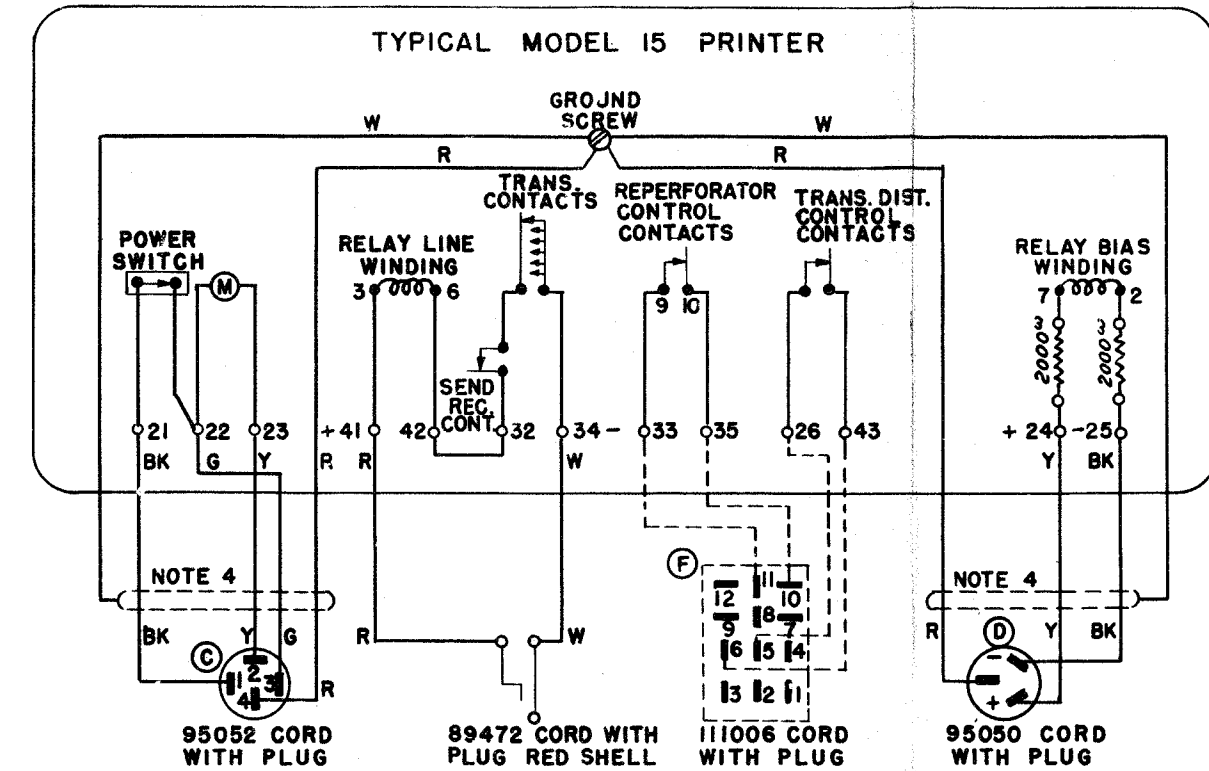


NO.	NOTES																								
1	WIRING OF TABLE AS SHIPPED IS FOR USE WITH REC 10 RECTIFIER, MODEL 15 PRINTER, MODEL 14 TYPING REPERFORATOR OR MODEL 14 REPERFORATOR WITH 110/115 V. A.C. 60 CYCLE SYNCHRONOUS MOTORS AND 110/115 V. A.C. 60 CYCLE REGULATED POWER.																								
2	FOUR TERMINAL RECEPTACLE WITH CORD AND POWER SWITCH ARE NOT USED ON THE REC 10 RECTIFIER.																								
3	<p>WIRE COLOR CODE. MAY BE SOLID COLOR OR TRACER IN WHITE WIRE.</p> <table border="0" style="width: 100%;"> <tr> <td>Y</td><td>YELLOW</td> <td>W</td><td>WHITE</td> <td>BK</td><td>BLACK</td> </tr> <tr> <td>G</td><td>GREEN</td> <td>O</td><td>ORANGE</td> <td>BL</td><td>BLUE</td> </tr> <tr> <td>BR</td><td>BROWN</td> <td>S</td><td>SLATE</td> <td>R</td><td>RED</td> </tr> <tr> <td>P</td><td colspan="5">PURPLE (RED & BLUE TRACER)</td> </tr> </table>	Y	YELLOW	W	WHITE	BK	BLACK	G	GREEN	O	ORANGE	BL	BLUE	BR	BROWN	S	SLATE	R	RED	P	PURPLE (RED & BLUE TRACER)				
Y	YELLOW	W	WHITE	BK	BLACK																				
G	GREEN	O	ORANGE	BL	BLUE																				
BR	BROWN	S	SLATE	R	RED																				
P	PURPLE (RED & BLUE TRACER)																								
4	 DENOTES SHIELDED CABLE.																								
5	RECEPTACLES AND PLUGS ARE SHOWN FROM SLOT AND PRONG SIDES.																								
6	ADJUST SLIDER ON 2500 RESISTOR TO 1700 AT FACTORY.																								
7	<p>WHEN "REPERFORATOR CONTROL" FROM A MODEL 15 PRINTER IS DESIRED, IT WILL BE NECESSARY TO USE A 114168 ADAPTER FOR MATCHING THE 111047 REPERFORATOR CABLE RECEPTACLE. TO AVOID EXPOSING PRONGS NORMALLY ABOVE GROUND POTENTIAL, THE 114168 (F) ADAPTER MUST BE MOUNTED TO THE (F) RECEPTACLE OF THE 111039 SERVICE ASSEMBLY. MOUNT ADAPTER AS FOLLOWS—</p> <ol style="list-style-type: none"> 1. REMOVE (F) RECEPTACLE MOUNTING SCREWS, NUTS AND WASHERS. 2. INSERT ADAPTER INTO (F) RECEPTACLE WITH TERMINAL NUMBERS OUT. 3. USE THE LONG MOUNTING SCREWS FURNISHED WITH THE ADAPTER WITH THE WASHERS AND NUTS PREVIOUSLY REMOVED TO HOLD ADAPTER IN PLACE. 																								
8	WHEN EITHER REPERFORATOR IS USED WITH ADAPTER, IT WILL BE NECESSARY TO HAVE A JUMPER WIRE CONNECTED BETWEEN TERMINALS 10 & 12 OF RECEPTACLE ON THE 111047 CORD.																								
9	TRANSMITTER CONTACTS AND 89438 CORD WITH PLUG OMITTED ON MODEL 14 RECEIVING-ONLY BASES.																								
10	PLUGS AND RECEPTACLE TO BE INSERTED INTO SERVICE ASSEMBLY RECEPTACLES AND PLUG ARE DESIGNATED BY ENCIRCLED LETTERS.																								
11	TO GROUND ELECTRICAL SERVICE UNIT TO TABLE FRAME, IMMEDIATELY PRIOR TO INSTALLATION OF UNIT TO TABLE, REMOVE PAINT FINISH FROM THE OUTSIDE (REAR) SURFACE OF THE TABLE AROUND ONE OF THE MOUNTING HOLES OVER A SUFFICIENT AREA TO INSURE GOOD METALLIC CONTACT BETWEEN TABLE AND NUMBER 3438 WASHER SUPPLIED WITH SERVICE UNIT.																								
12	<p>FOR SINGLE LINE OPERATION USING REC 10 OR REC 29 AS LINE BATTERY SOURCE</p> <p><u>BATTERY STATION</u> CONNECT LINE TO TERMINALS 7 & 10, STRAP TERMINAL 8 TO 11 AND TERMINAL 9 TO 12 WITH PLUGS INSERTED IN LINE JACKS. ADJUST SLIDER ON 2500 RESISTOR TO PRODUCE .060 AMPERE LINE CURRENT.</p> <p><u>NON-BATTERY STATION</u> CONNECT LINE TERMINALS 7 & 10. STRAP TERMINAL 8 TO 9.</p>																								
13	 INDICATES CONDUCTOR WITH SPADE TERMINAL.																								

REVISIONS:	
(H) 6-10-48	44613
(J) 9-8-48	45364
(K) 4-20-50	49446
(L) 1-15-51	50742



RTTY ELECTRONICS
 TELETYPE-Sales-Service-Parts
 PO Box 20101 El Sobrante, Ca.
 94820. (510)222-3102
 mr_rty@pacbell.net

WD 2338-L
6-26-46
WIRING DIAGRAM FOR XRT 115, 119, 121, 200, 201
AC 21, 25, 29, 30, 31, 35, 200, 210, 214
ELECTRICAL SERVICE UNITS 105014, 111039
DRAWN: <i>RWS</i> APPROVED: <i>R.P.L.</i>
ENG'D: <i>R.P.L.</i>
FILE: G-55AAA
TELETYPE CORPORATION