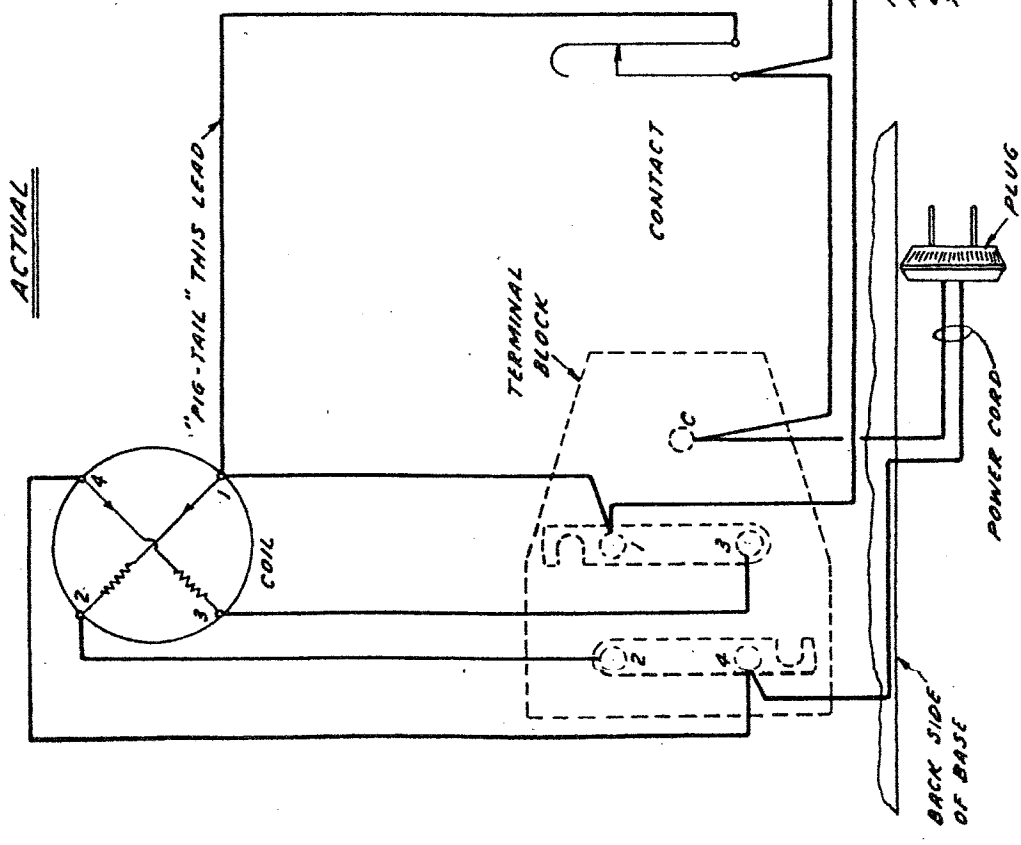
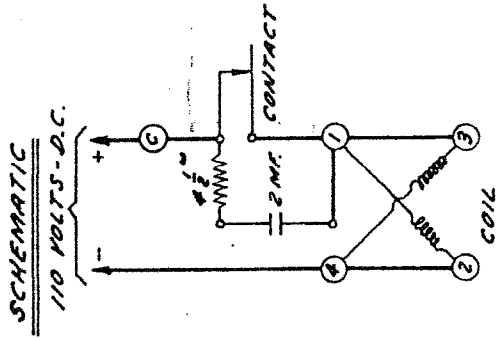


REVISIONS
① REDRAWN. 3-4-35 H.C.A.
② DELETED 230 V. WIRING INFO. 1-30-36 J.J.F.
③ 7-12-44 35058



POWER CORD TO BE ROUTED THRU OUTLET IN RIGHT REAR OF BASE ON ALL WIRE UNITS EXCEPT WIRE 11. ON WIRE 11, ROUTE CORD THRU OUTLET IN CENTER REAR OF BASE.

RTTY ELECTRONICS  
TELETYPE=Sales-Service-Parts  
PO Box 20101 EI Sobrante, Ca.  
94820. (510)222-3102  
mr\_rtty@pacbell.net

TELETYPE CORPORATION  
WD 800-C  
5-6-26

WIRING DIAGRAM  
WPE  
100 AND 110 VOLTS

SYN  
ARRGT. #1

DRAWN E.W.  
TRACED J.J.F.  
CHECKED  
ENG RD. H.I.P.  
APPROVED E.C.W.B.