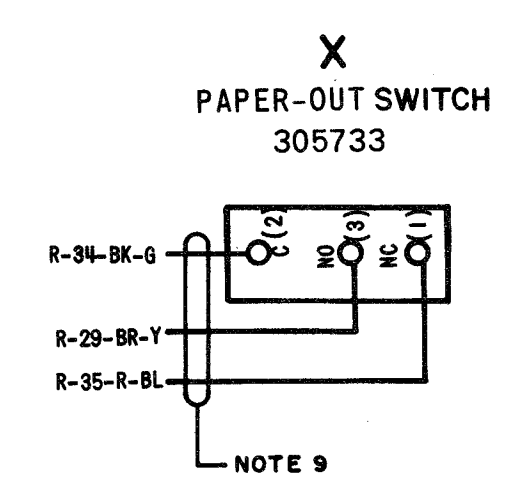
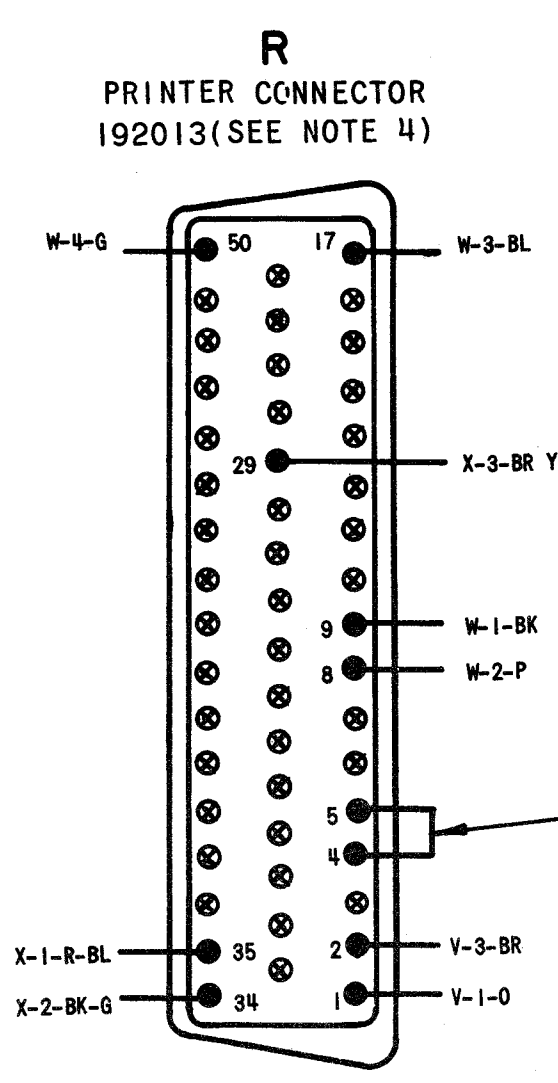
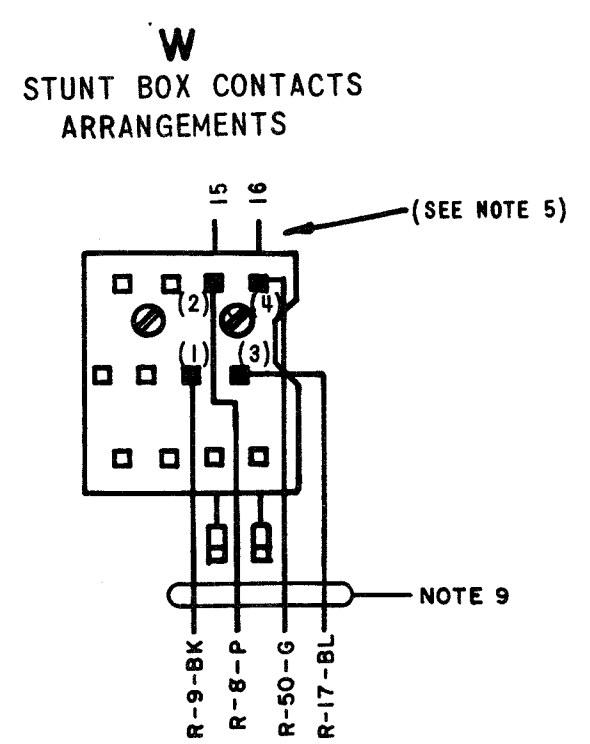
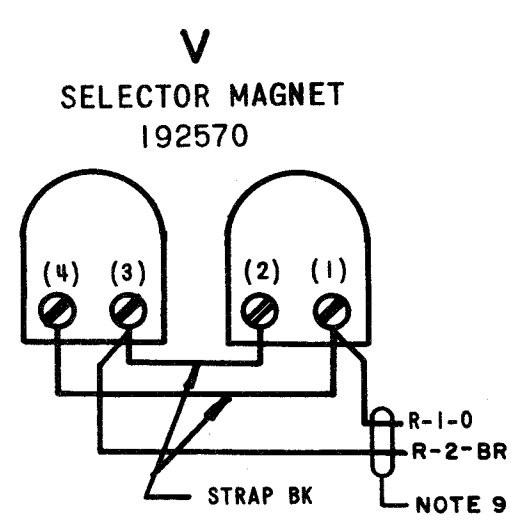


7989WD		
REVISIONS		
ISSUE	DATE	AUTH. NO.
1	9-2-66	17783-R

- NOTES**
- WIRING LEGEND:**
 DISTANT TERMINATING AREA
 DISTANT TERMINATING DESIGNATION
 A-1-W-BL
 WIRE COLOR CODE
 - COLOR CODE:**
 BK-BLACK R-RED
 BR-BROWN Y-YELLOW
 BL-BLUE P-PURPLE
 G-GREEN W-WHITE
 S-SLATE O-ORANGE
 - CONTACTS VIEWED FROM SOLDER TERMINAL ENDS.
 - CONNECTOR VIEWED FROM BOTTOM.
 - NUMBERS AT TOP OF STUNT BOX CONTACTS REFER TO SLOT POSITION IN STUNT BOX.
 - CONTACT ARM (F)**
 (SLOT NO.)
 STRAIGHT F CONTACT NORMALLY CLOSED
 CROOKED F CONTACT NORMALLY OPEN
 - CONTACTS SHOWN IN UNOPERATED OR DE-ENERGIZED POSITION.
 - SELECTOR COIL IS WIRED FOR .500 AMP. OPERATION
 - ASSOCIATED CABLE ASSEMBLIES:**
 CABLE ASSEMBLY-197044 (AREA R-W)
 CABLE ASSEMBLY-192484 (AREA R-V)
 305677 (AREA X-R)
 - FOR TELETYPE PERSONNEL REFERENCE: SPEC. NO'S 6933S & 60,461S.
 - TERMINAL DESIGNATION ENCLOSED IN PARENTHESIS ARE NOT MARKED ON COMPONENT.



ACTUAL WIRING DIAGRAM FOR MODEL 35 TYPING UNIT STUNT BOX-AUP LP831-855

(FRICTION FEED)

APPROVALS

D AND R	E OF M
<i>ARK</i>	<i>[Signature]</i>

E NUMBER

PROD. NO. 7989WD

DATE: 5-16-66

P.O. FILE NO. 1-A151-A116

DRAWN DDG CHKD. *TRK*

ENGD. RHL APPD. *RRS*

TELETYPE CORPORATION

1 7989WD