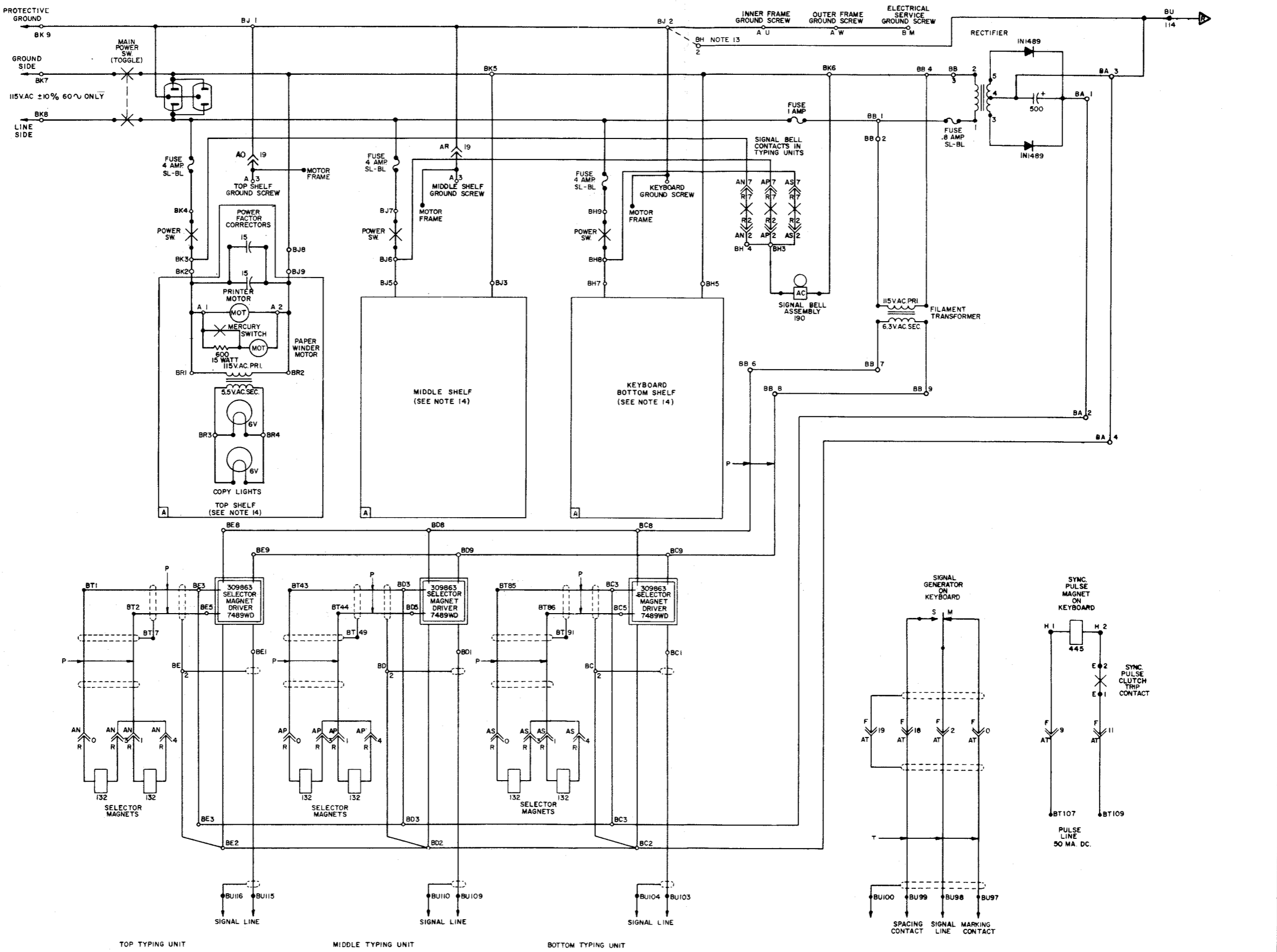


ISSUE	DATE	AUTH. NO.
1	10-12-64	

1. FOR ACTUAL WIRING DIAGRAMS OF INDIVIDUAL UNITS REFER TO:  
 7536 WD BASE ASSEMBLY 31088  
 7531 WD CABINET LBAC261  
 7533 WD ELECTRICAL SERVICE ASSEMBLY  
 4262 WD KEYBOARD LK51  
 2900WD MOTOR UNIT LMU3-21  
 3214 WD PAGE PRINTER LP109  
 7488 WD SELECTOR MAGNET DRIVER 309863
2. LEGEND:  
 O A TERMINAL BLOCK - PRINTER BASE  
 O BA, BB TERMINAL BLOCK - SELECTOR MAGNET DRIVER MTG. ASSEMBLY  
 O BC, BD, BE TERMINAL BLOCK - SELECTOR MAGNET DRIVER  
 O BH, BJ, BK TERMINAL BLOCK - ELECTRICAL SERVICE ASSEMBLY  
 O BL, BM, BN COPY LIGHT TERMINAL BLOCK - ELECTRICAL SERVICE ASSEMBLY  
 O BT, BU TERMINAL BOARD - ELECTRICAL SERVICE ASSEMBLY  
 AN CONNECTOR, RECEPTACLE - TOP TYPING UNIT  
 AP CONNECTOR, RECEPTACLE - MIDDLE TYPING UNIT  
 AS CONNECTOR, RECEPTACLE - BOTTOM TYPING UNIT  
 AT CONNECTOR, RECEPTACLE - KEYBOARD  
 E CONNECTOR, PLUG - KEYBOARD  
 R CONNECTOR, PLUG - TYPING UNIT
3. [Symbol] INDICATES SHIELDED LEADS.
4. RESISTANCE VALUES IN OHMS, UNLESS OTHERWISE SPECIFIED.
5. CAPACITANCE VALUES IN MICROFARADS, UNLESS OTHERWISE SPECIFIED.
6. POWER INPUT 115 V.A.C. ±10% 60 CYCLES ONLY.
7. SL-BL DENOTES SLOW BLOWING
8. FOR TELETYPE PERSONNEL REFERENCE SPECIFICATION 609955
9. SIGNAL LINE INPUT  
 TOP TYPING UNIT - BU115  
 MIDDLE TYPING UNIT - BU109  
 BOTTOM TYPING UNIT - BU103  
 COMMON CIRCUIT RETURN - BU114
10. KEYBOARD SIGNAL GENERATOR CONNECTIONS.  
 MARK CONTACT - BU97  
 SPACE CONTACT - BU99  
 SWINGER CONTACT - BU98  
 CABLE SHIELD - BU100
11. SYNCHRONOUS PULSE TRANSMISSION CONNECTIONS.  
 120 V.D.C. 50 MILLIAMPERES  
 BT107  
 BT109
12. [Symbol] INDICATES COMMON CIRCUIT RETURN.
13. CUSTOMER MAY CONNECT NEGATIVE SIDE OF POWER SUPPLY AND CIRCUIT COMMON RETURN TO CABINET GROUND BY ADDING A STRAP FROM BH2 TO BJ2.
14. CORRESPONDING DESIGNATIONS FOR REPEATED CIRCUIT "A".
- | TOP SHOWN | MIDDLE SHELF | KEYBOARD BOTTOM SHELF |
|-----------|--------------|-----------------------|
| BR        | BN           | BL                    |
15. P [Symbol] INDICATES TWISTED PAIR  
 T [Symbol] INDICATES TWISTED TRIPLE.



SCHEMATIC WIRING DIAGRAM FOR UNIVERSAL CABINET LBAC261

APPROVALS

D AND R	E OF M
<i>[Signature]</i>	<i>[Signature]</i>
E-NO	
PROD. NO. 7532 WD	
DATE 10-12-64	
PD. FILE NO. N-8-G	
DRAWN WPM CHD	
ENGD. D.C.L. APPD. [Signature]	

TELETYPE CORPORATION  
 7532 WD