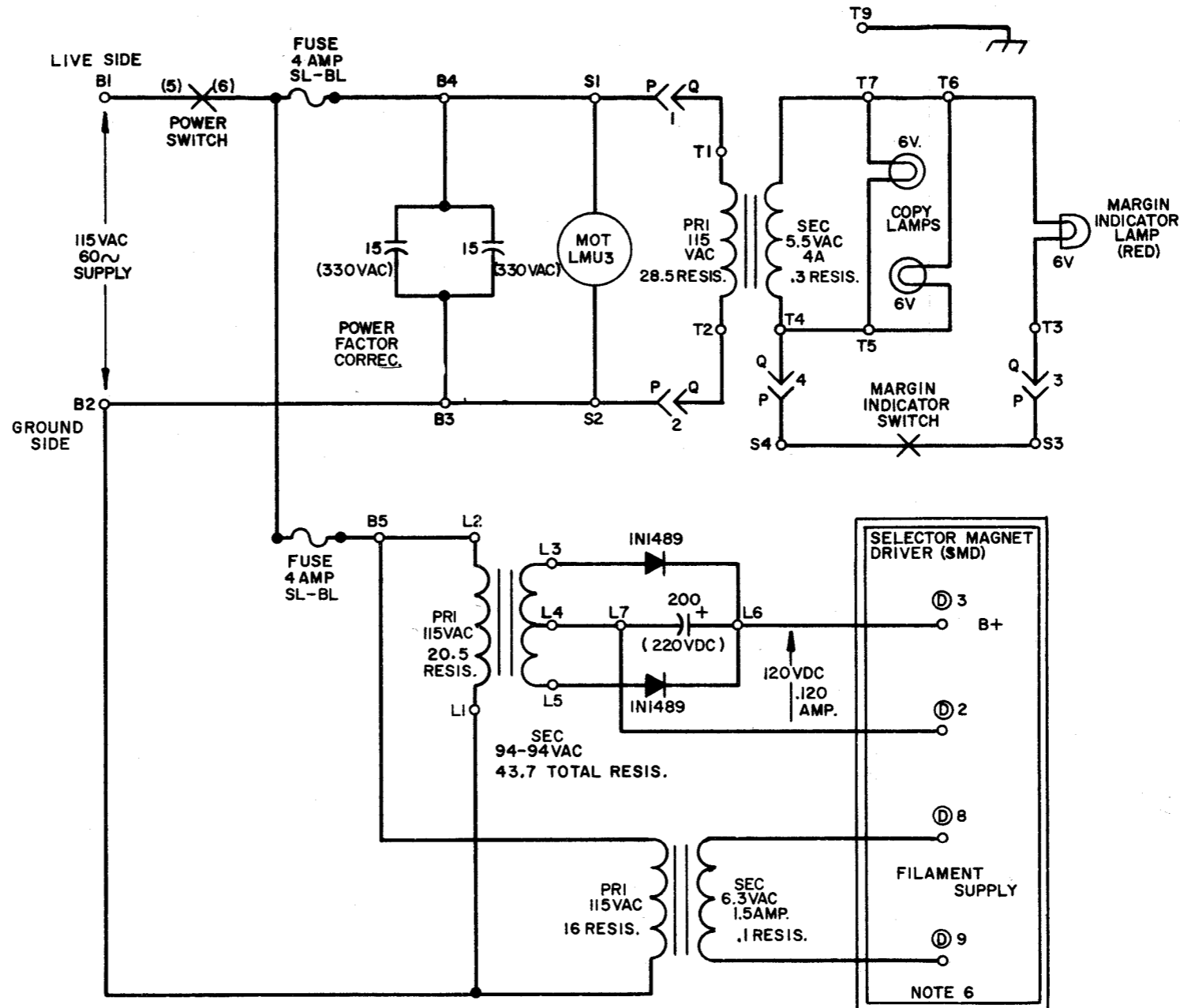


ISSUE	DATE	AUTH. NO.

1. FOR ACTUAL WIRING OF UNITS SHOWN ON THIS SCHEMATIC, REFER TO:
- 2900WD MOTOR, LMU3
 - 4196WD PAGE PRINTER, LP77/AGM
 - 4262WD KYBD, LK51
 - 4257WD COVER, LPC206
 - 7528WD 310174 ELECTRICAL SERVICE ASSEMBLY
 - 4304WD INTERCONNECTING CABLE
 - 7488WD 309863 SELECTOR MAGNET DRIVER
2. ALL APPARATUS SHOWN IN UNOPERATED OR DE-ENERGIZED POSITION.
3. RESISTANCE SHOWN IN OHMS, CAPACITANCE IN MICROFARADS, INDUCTANCE IN MILLIHENRIES, UNLESS OTHERWISE SPECIFIED.
4. LEGEND FOR SYMBOLS:
- MALE CONNECTOR
 - FEMALE CONNECTOR
 - NORMALLY OPEN SWITCH OR CONTACT
 - TRANSFER SWITCH OR CONTACT
 - NORMALLY CLOSED SIDE
 - SHIELDED LEAD
 - MULTIPLE TERMINAL CONNECTOR
 - CHASSIS GROUND
5. USE SYNCHRONOUS MOTOR ON REGULATED 60 CYCLE (±1%) AC ONLY.
6. SEE 7489WD FOR SCHEMATIC WIRING OF 309863 SELECTOR MAGNET DRIVER.
7. TERMINALS ENCLOSED IN PARENTHESES ARE FOR REFERENCE AND ARE NOT MARKED ON COMPONENT.

8. LEGEND FOR CONNECTORS: (M-MALE, F-FEMALE)
- AA LP (M & F)
 - F LK (M & F)
 - P LPC (F)
 - Q LPC (M)
- LEGEND FOR TERMINALS:
- B ELECTRICAL SERVICE ASSEMBLY POWER TERMINAL BLOCK
 - Ⓢ ASSOCIATED SELECTOR MAGNET DRIVER TERMINAL BLOCK
 - H 40 POINT TERMINAL BLOCK FOR INTERCONNECTIONS
 - L RECTIFIER TERMINALS
 - S MOTOR TERMINAL BLOCK ON KYBD
 - T COVER TERMINAL BLOCK
- MOTOR TERMINAL BLOCK "S" IS DESIGNATED "A" ON ASSOCIATED KEYBOARD ACTUAL WIRING DIAGRAM.



SCHEMATIC WIRING DIAGRAM FOR RACK MOUNTED PAGE PRINTER SET (KSR)

APPROVALS

D AND R E OF M
OAL *APK*

E-NUMBER

PROD. NO. 7529WD

DATE: 11-6-64

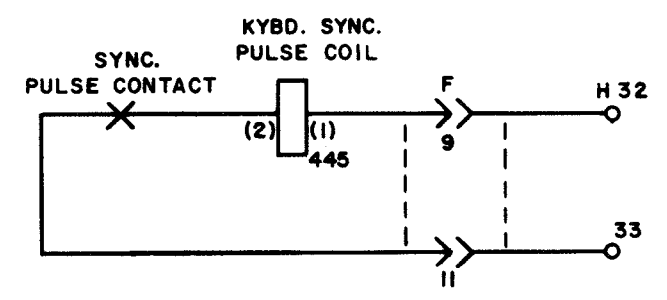
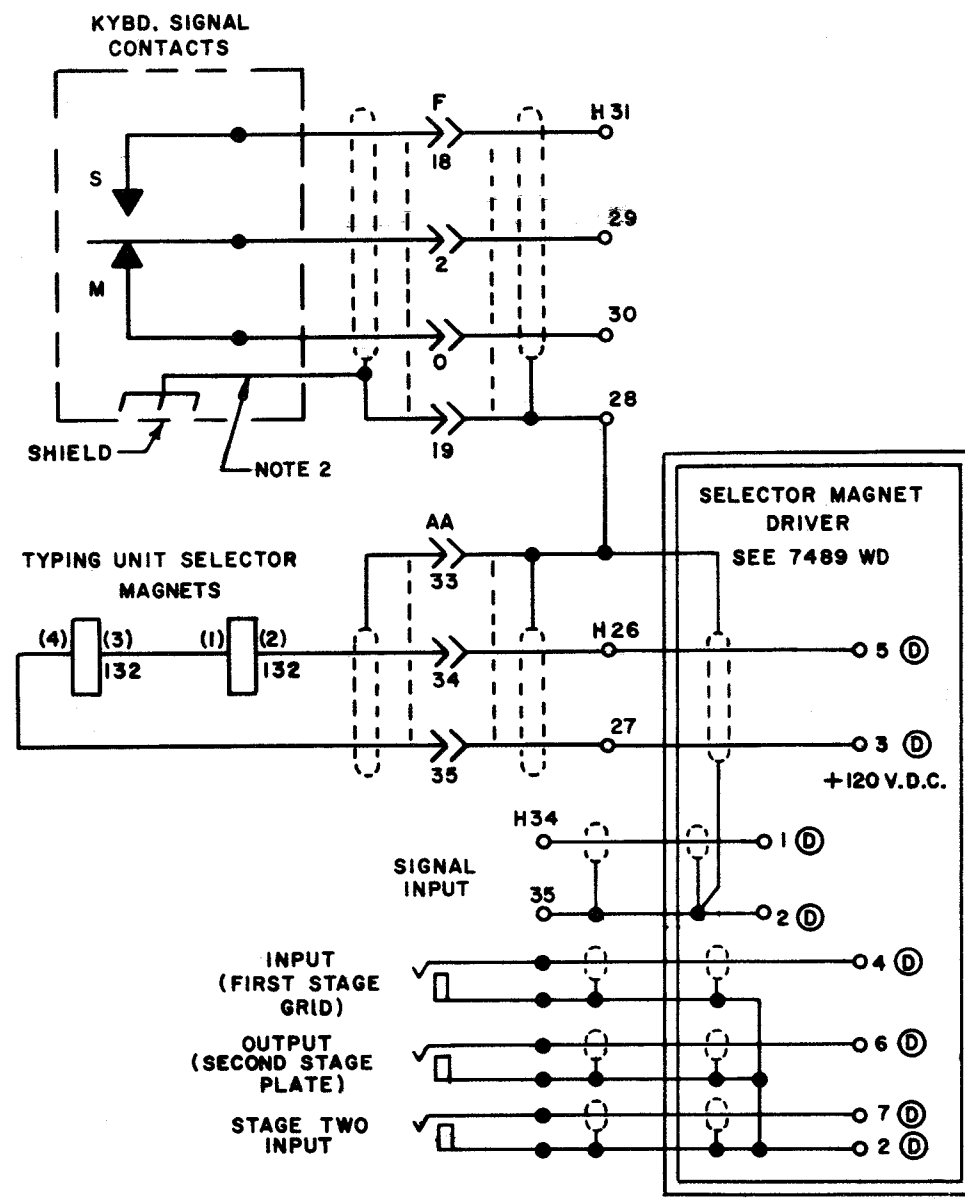
P.D. FILE NO. N-8-G

DRAWN. WPH CHKD. *APK*

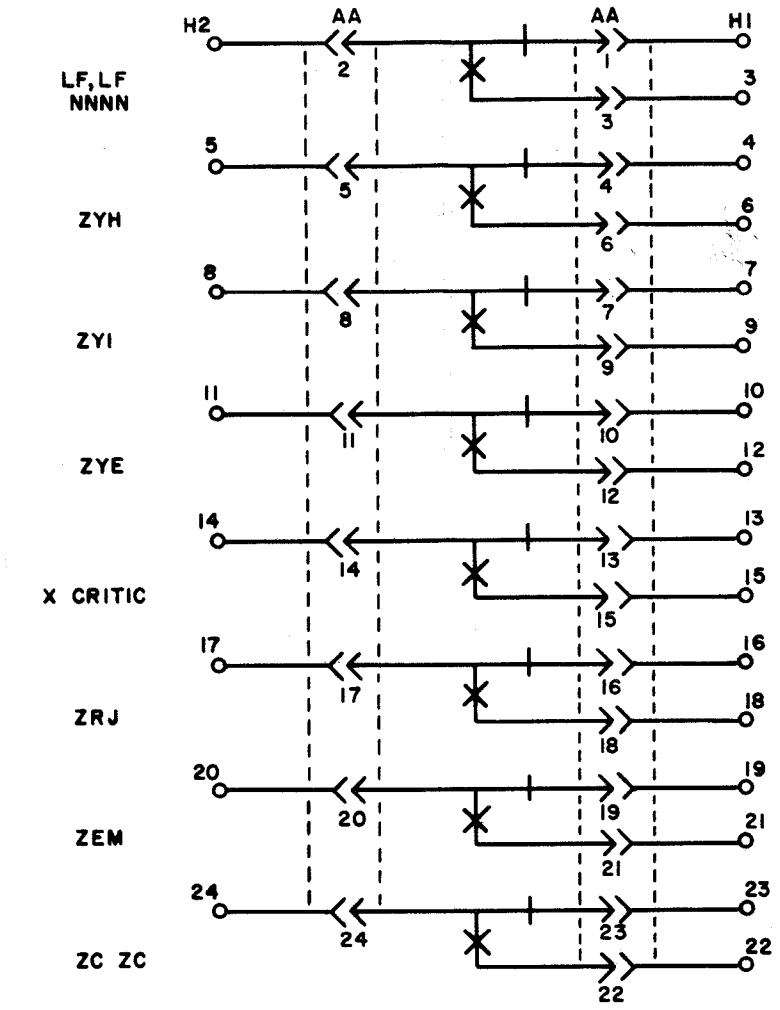
ENG. BPK APPD. *OAL*

TELETYPE CORPORATION

- NO. NOTES:
- SEE SHEET 1 FOR GENERAL NOTES.
 - RETURN SIDE OF SIGNAL LINE AND SELECTOR WIRES PLUS SIGNAL AND SELECTOR SHIELDS ARE CONNECTED TO MINUS OF D.C. POWER SUPPLY. DISCONNECT SHIELD GROUNDS AT SIGNAL CONTACT BOXES IF CONNECTION BETWEEN SIGNAL COMMON AND A.C. PROTECTIVE GROUND IS NOT DESIRED.



OPERATING SEQUENCE



ISSUE	DATE	AUTH. NO.
2	5-5-65	86734-1

SHEET 2 OF 2

SCHEMATIC WIRING DIAGRAM FOR RACK MOUNTED PAGE PRINTER SET (KSR)

APPROVALS

D AND R E OF M

E-NUMBER

PROD. NO. 7529 WD

DATE: 11-5-64

P.D. FILE NO. N-8-G

DRAWN. J.J.A. CHKD. *[Signature]*

ENGD. B.P.K. APPD. *[Signature]*

TELETYPE CORPORATION

7529 WD