
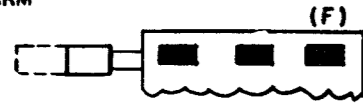


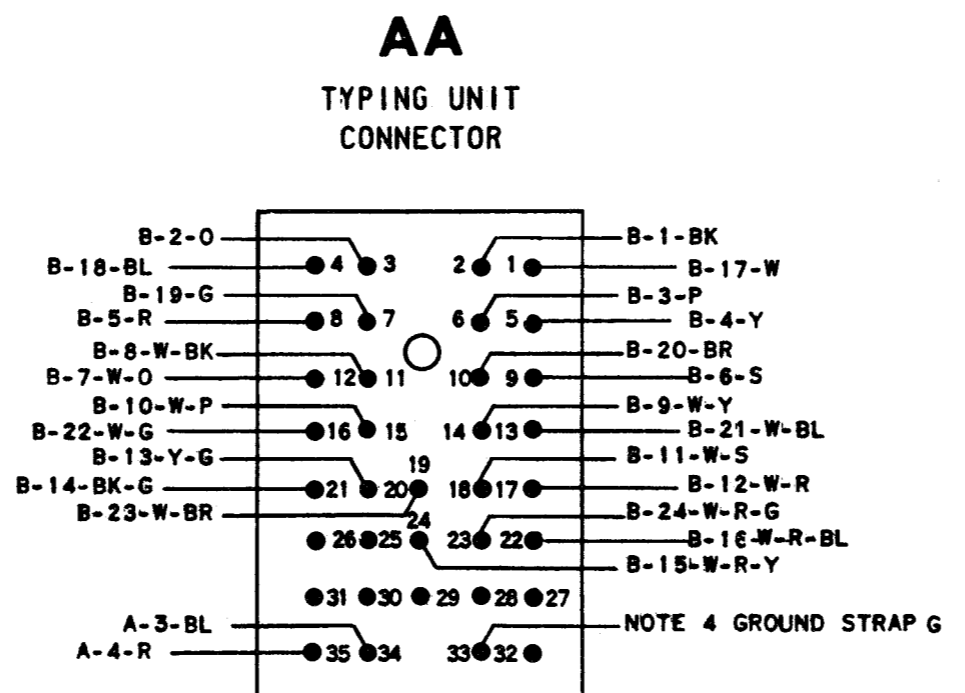
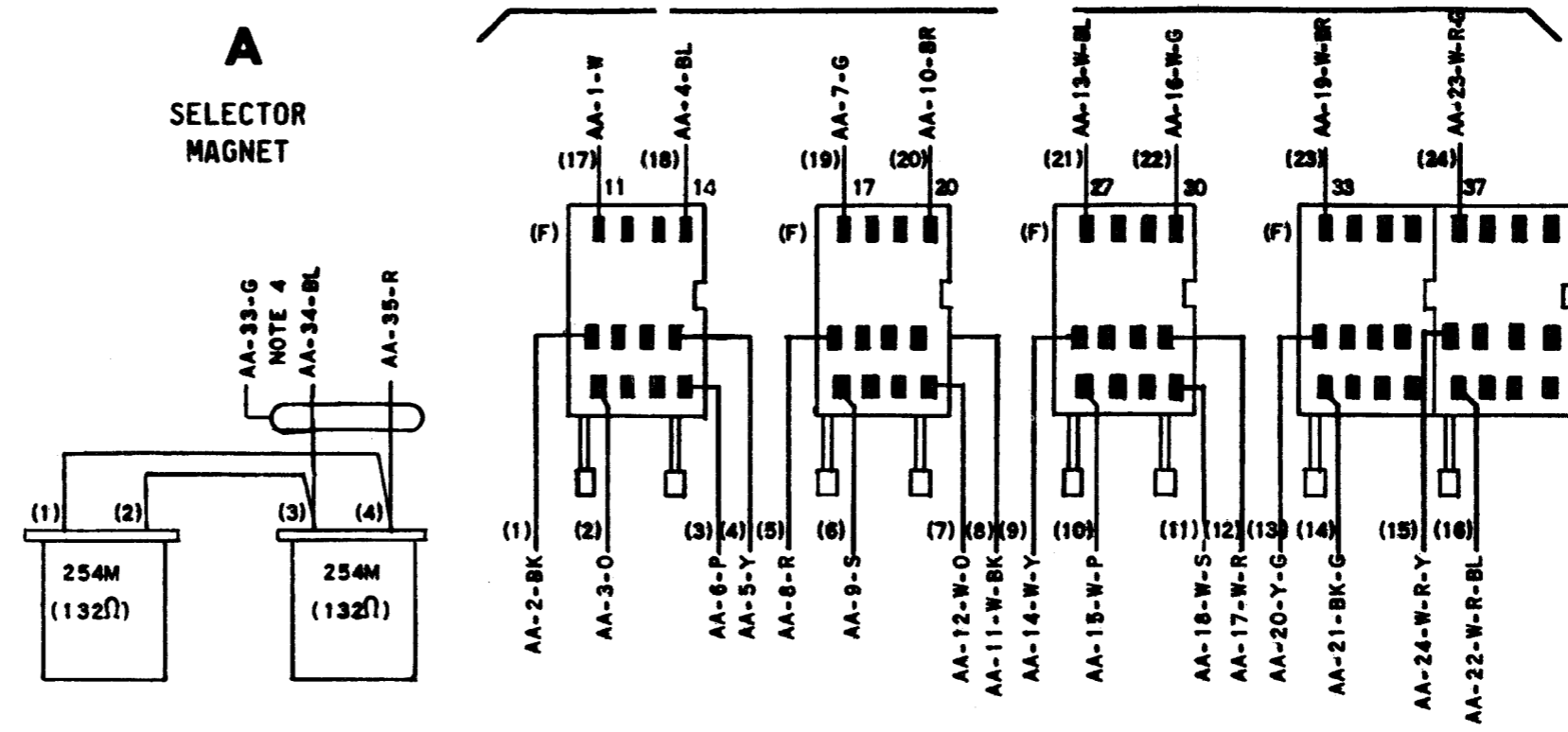


7481WD

ISSUE	DATE	AUTH. NO.
1	10-31-64	15866-R

- NO. NOTES
- WIRING LEGEND:**

 DISTANT TERMINATING AREA
 DISTANT TERMINATING DESIGNATION
 AA-8-R
 WIRE COLOR CODE
 - WIRE COLOR CODE:**
 W - WHITE R - RED BL - BLUE
 BK - BLACK S - SLATE G - GREEN
 O - ORANGE BR - BROWN Y - YELLOW
 P - PURPLE
 - CONNECTOR VIEWED FROM SOLDERED TERMINAL END.**
 - GROUND SHIELDING OF SELECTOR CABLE.**
 - CONTACT ARM**

 (F) SLOT NO.
 STRAIGHT  F CONTACT NORMALLY CLOSED
 CROOKED  F CONTACT NORMALLY OPEN
 - ASSOCIATED CABLES:**
 173698 CABLE ASSEMBLY
 173450 CABLE ASSEMBLY



ACTUAL
WIRING DIAGRAM
FOR
MODEL 28
TYPING UNIT
LP77
STUNT BOX
AJV

APPROVALS

D AND R	E OF M
<i>O.A.</i>	
E-NUMBER	
PROD. NO. 7481WD	
DATE:	
P.D. FILE NO. 42-A2/65AA	
DRAWN.	CHKD. <i>TA</i>
ENG. E.F.D.	APPD. <i>O.A.</i>

TELETYPE CORPORATION
7481WD