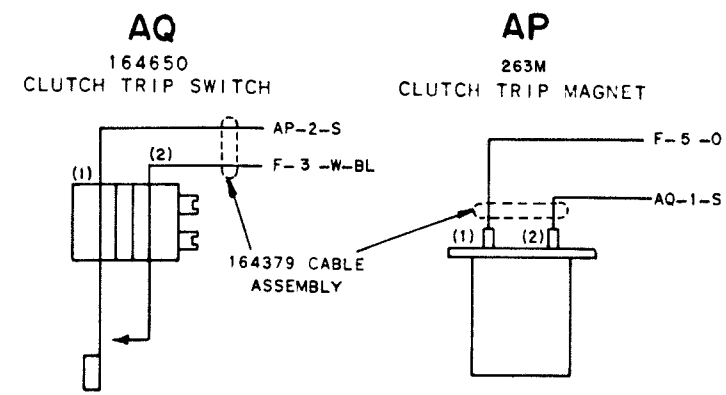
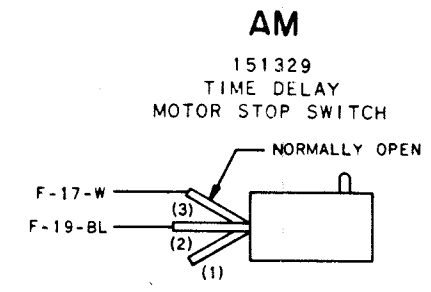
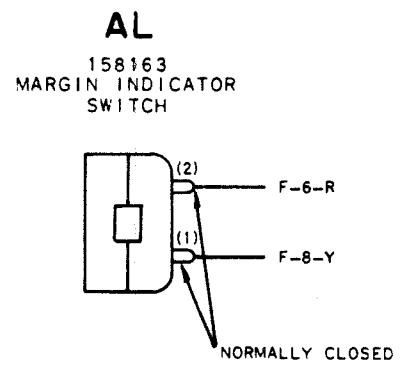
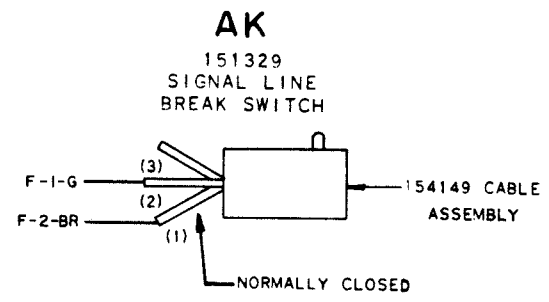
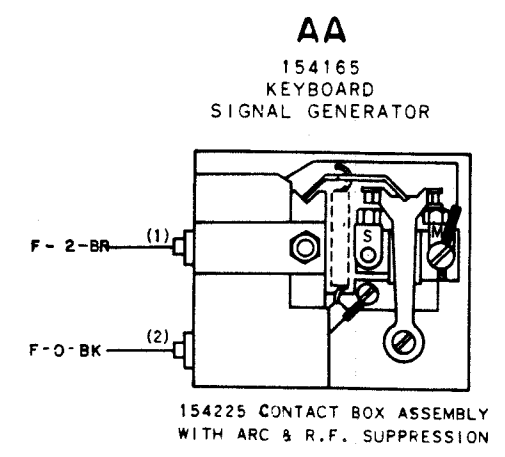
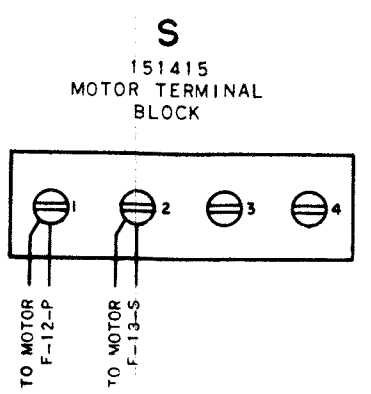
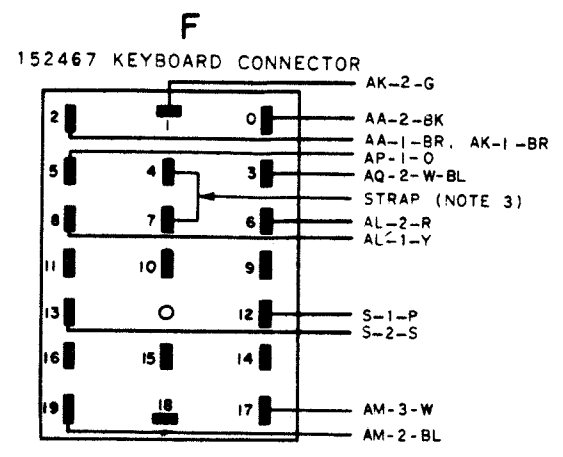


NO.	NOTES
1.	WIRE COLOR CODE: BK - BLACK BL - BLUE BR - BROWN S - SLATE R - RED W - WHITE O - ORANGE P - PURPLE G - GREEN Y - YELLOW
2.	CONNECTOR VIEWED FROM TERMINAL END.
3.	BARE WIRE STRAP 39522RM
4.	ASSOCIATED CABLES: 162437 KEYBOARD CABLE 164379 SYNC. PULSE CABLE 154149 SIG. LINE BREAK SWITCH CABLE 154144 TIME DELAY MOTOR START CABLE
5.	FOR SCHEMATIC SEE 2893WD.
6.	TERMINAL DESIGNATIONS ENCLOSED IN PARENTHESES ARE NOT MARKED ON THE COMPONENT.
7.	WIRING LEGEND: DISTANT TERMINATING AREA DISTANT TERMINATING DESIGNATION WIRE COLOR CODE

6462 WD		
REVISIONS		
ISSUE	DATE	AUTH. NO.
2	2-6-64	80198
3	4-18-66	90148
4	9-26-66	91294



ACTUAL WIRING DIAGRAM
MODEL 28
KEYBOARD
LK49

APPROVALS

D AND R	E OF M
-----	-----

E-NUMBER

PROD. NO. 6462WD

DATE 5-15-63

P.D. FILE NO. 49-A65AA

DRAWN J. D. B. CHKD.

ENGD. APPD.

TELETYPE CORPORATION

6462 WD