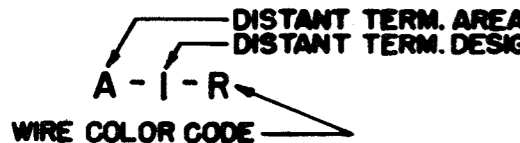
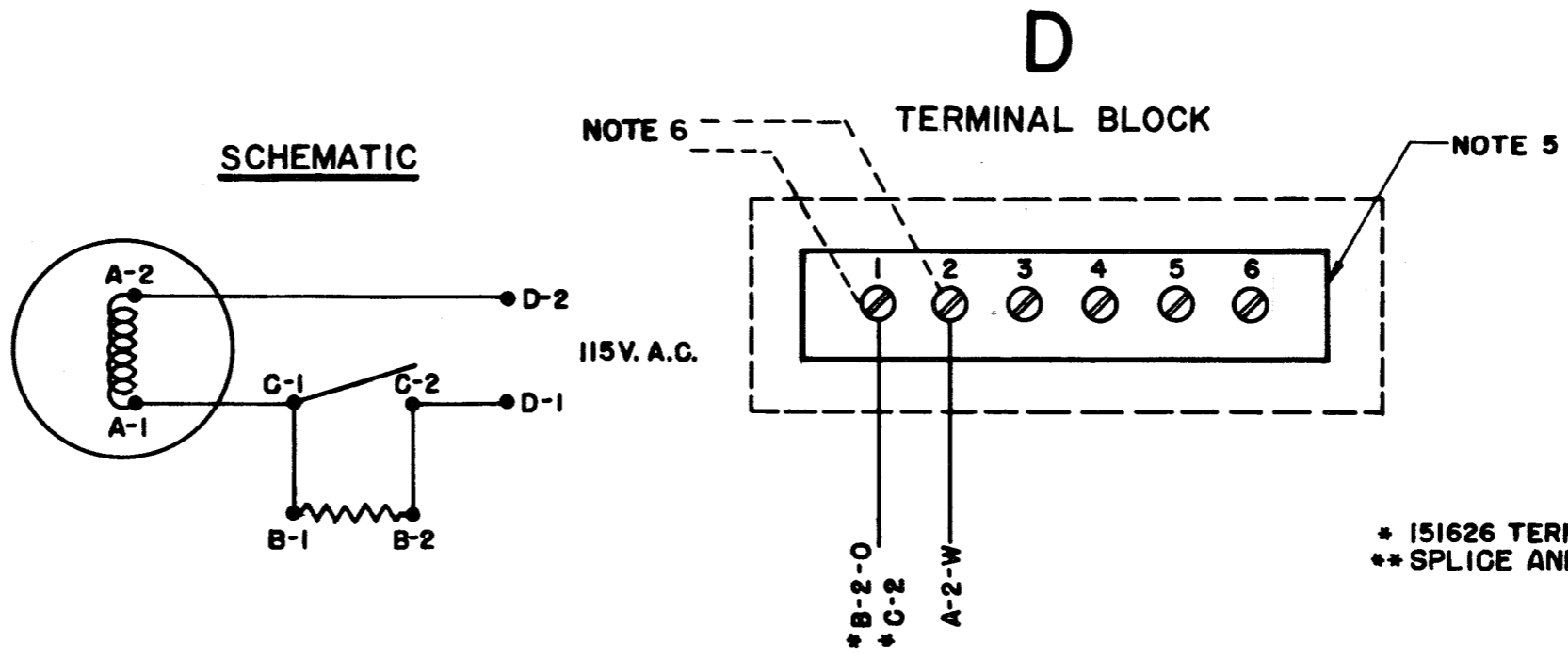
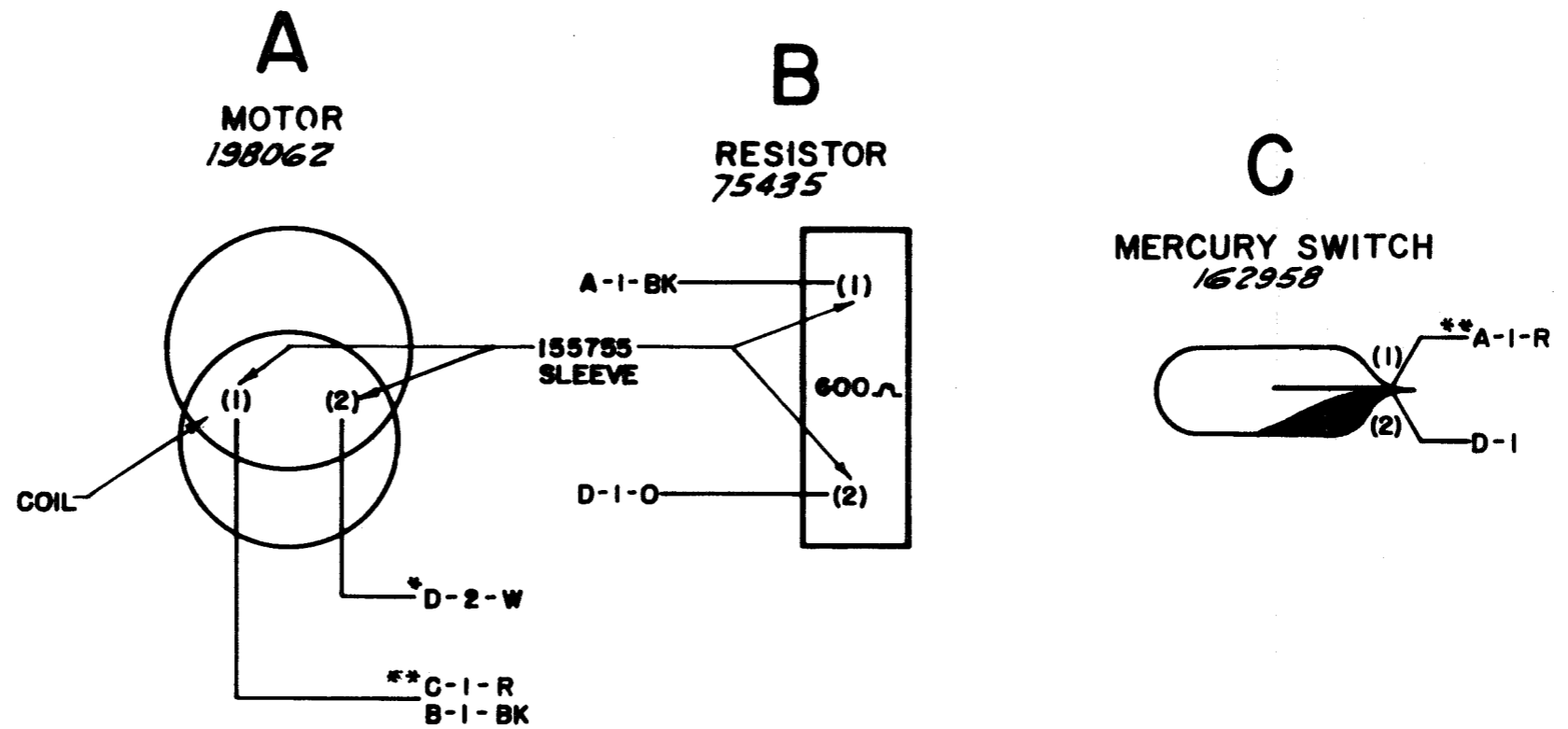


NO.	NOTES
1.	WIRING LEGEND 
2.	COLOR CODE R - RED BK - BLACK O - ORANGE W - WHITE
3.	MOTOR OPERATES ON 115 VOLTS A.C. 50/60 CYCLE
4.	THE NUMBERS ENCLOSED BY PARENTHESES ARE USED FOR REFERENCE AND ARE NOT SHOWN ON THE PART.
5.	ON 195921 PAPER WINDER, TERMINAL BLOCK IS PART OF BASE ASSEMBLY.
6.	310342 CABLE PROVIDES CONNECTIONS BETWEEN "D" TERMINAL BLOCK AND LB OR LK CONNECTOR

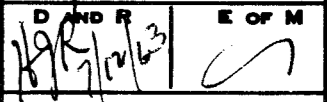
6363WD		
ISSUE	DATE	AUTH. NO.
2	12-28-64	85663
3	2-8-65	86027



* 151626 TERMINAL
** SPLICE AND TAPE

ACTUAL & SCHEMATIC
WIRING DIAGRAM OF
195921 & 195922
PAPER WINDER



APPROVALS

D AND R E OF M


E-NUMBER
PROD. NO. 6363 WD

DATE: 3-20-63

P.D. FILE NO. 13-99AAA

DRAWN. HDS | CHKD. 
ENGD. J.C.F. | APPD. 

TELETYPE
CORPORATION

6363 WD