

5812 WD

ISSUE	DATE	AUTH. NO.
A	7-13-62	73938
B	2-12-63	75851
C	3-13-63	76027

NO. NOTES

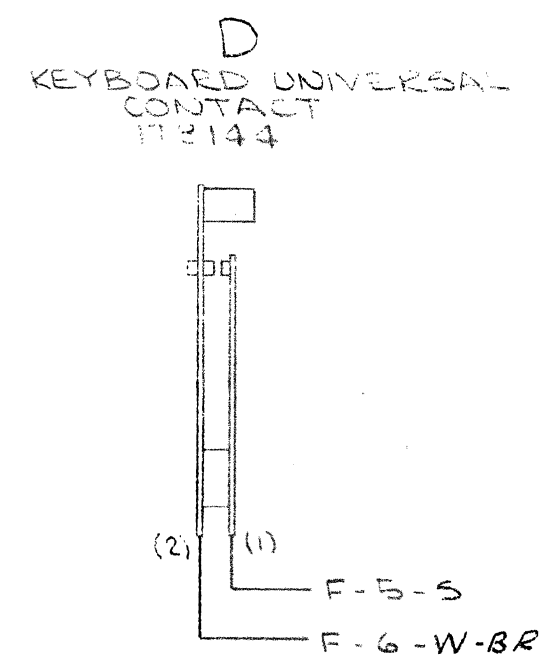
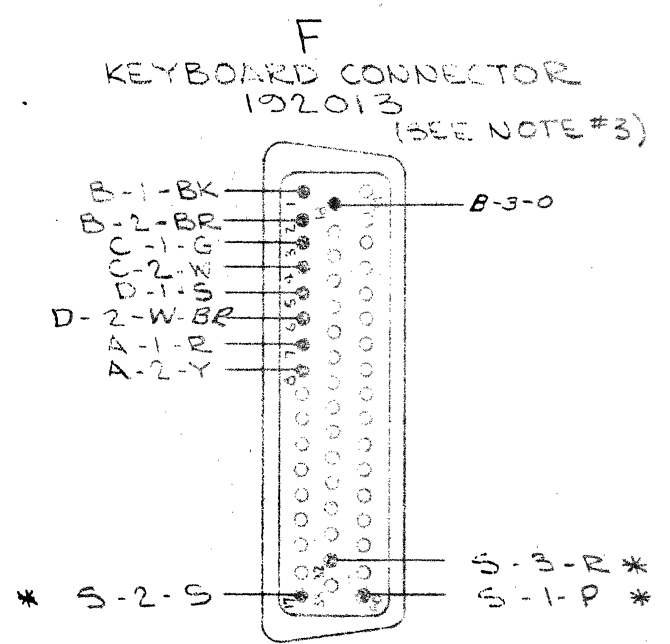
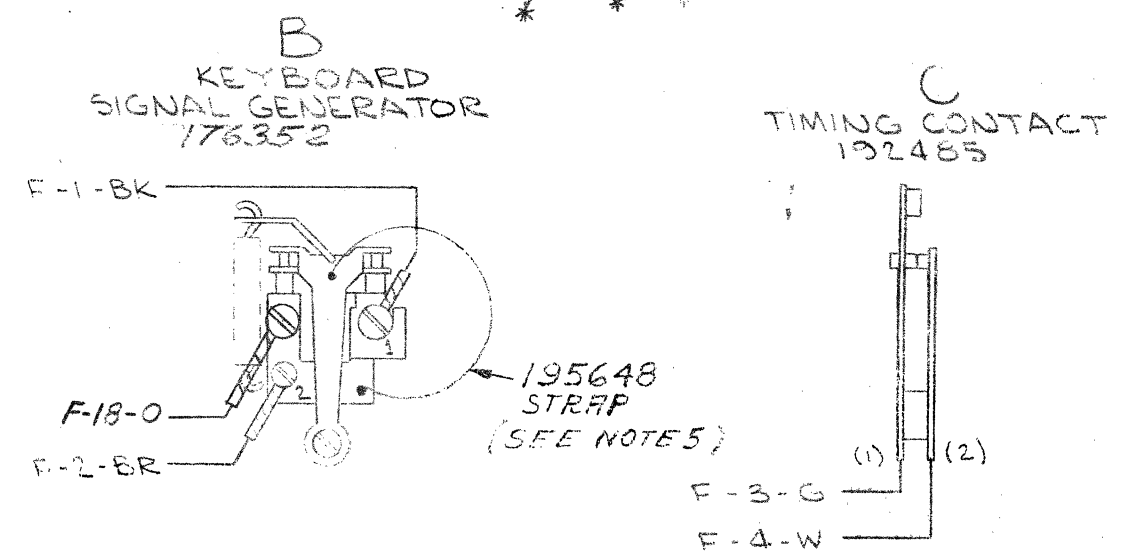
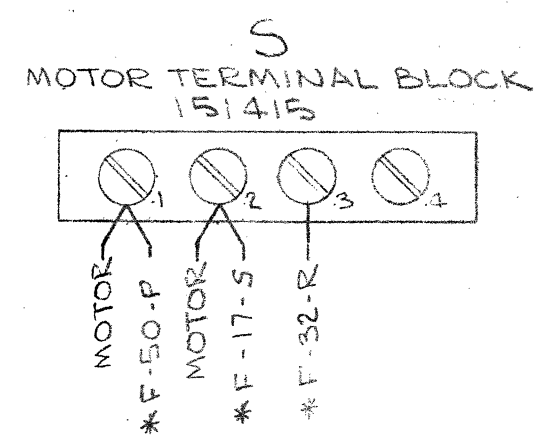
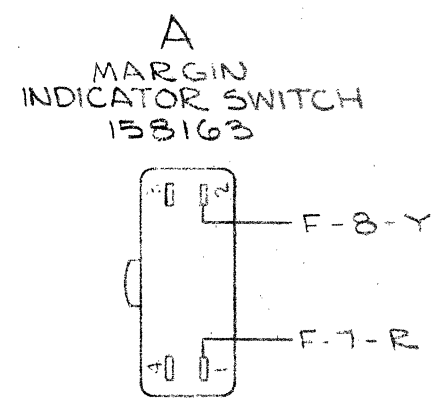
1. WIRING LEGEND:
 [Symbol] DISTANT TERMINATING AREA
 [Symbol] DISTANT TERMINAL DESIGNATION
 A-1-W-BL
 [Symbol] WIRE COLOR CODE

2. COLOR CODE:
 BK-BLACK W-BK-WHITE-BLACK
 BR-BROWN W-BR-WHITE-BROWN
 R-RED W-R-WHITE-RED
 O-ORANGE W-O-WHITE-ORANGE
 Y-YELLOW W-Y-WHITE-YELLOW
 G-GREEN W-G-WHITE-GREEN
 BL-BLUE W-BL-WHITE-BLUE
 P-PURPLE W-P-WHITE-PURPLE
 W-WHITE W-S-WHITE-SLATE
 S-SLATE

3. CONNECTOR VIEWED FROM BOTTOM.

4. * ASTERISK DENOTES #18 GA. WIRE.

5. THE 195648 STRAP IS NOT PRESENT IN EARLY MANUFACTURED UNITS.



ACTUAL WIRING DIAGRAM FOR MODEL 35 KEYBOARD LK 301 AND LK 802

APPROVALS

D AND R	E OF M
<i>[Signature]</i>	<i>[Signature]</i>

E-NUMBER

PROD. NO. 5812WD

DATE: 3-22-62

P.D. FILE NO. 1-30-1511A

DRAWN V.E.S. CHKO. *[Signature]*

ENG'D. W.M.B. APP'D. *[Signature]*

TELETYPE CORPORATION

5812 WD