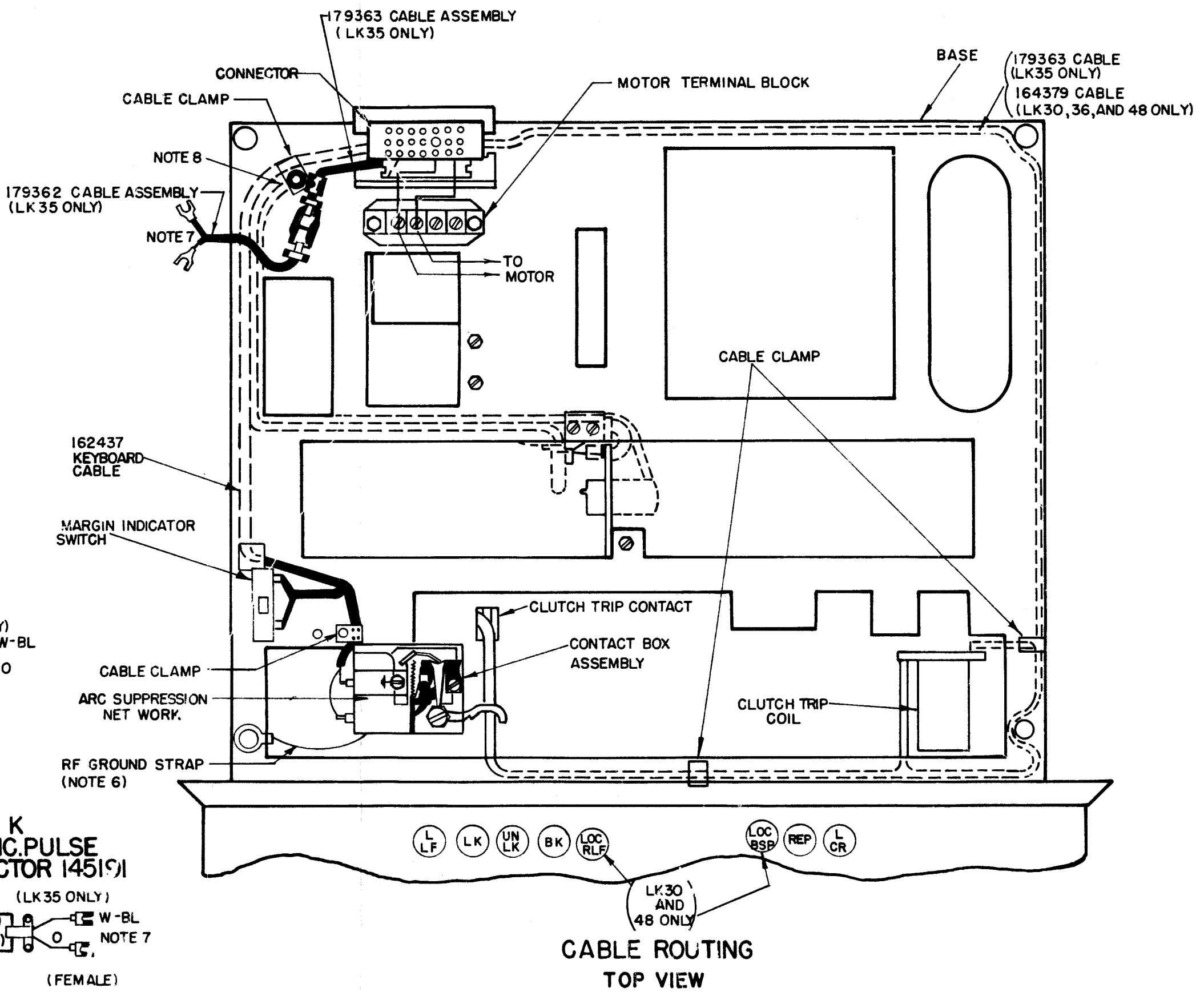
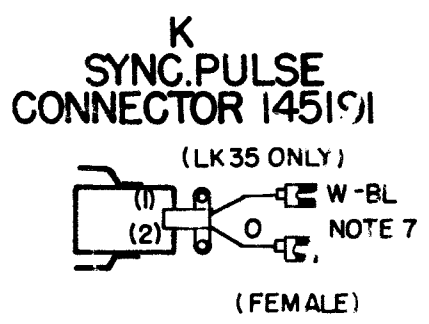
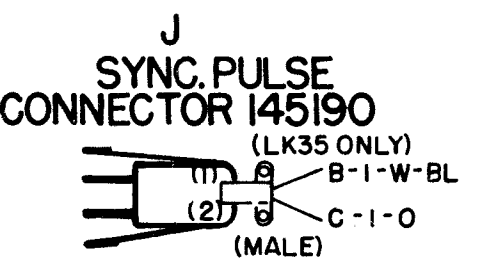
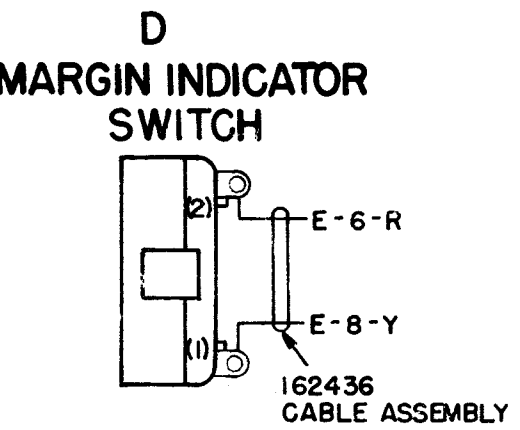
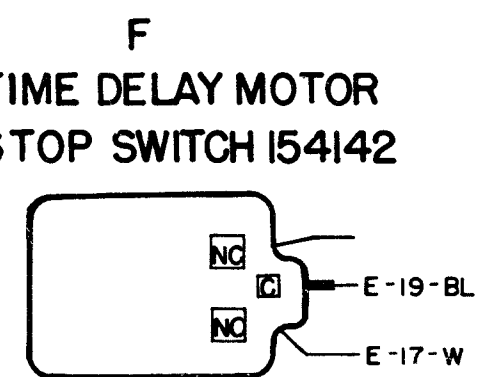
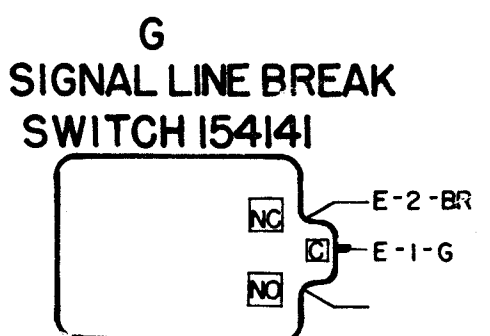
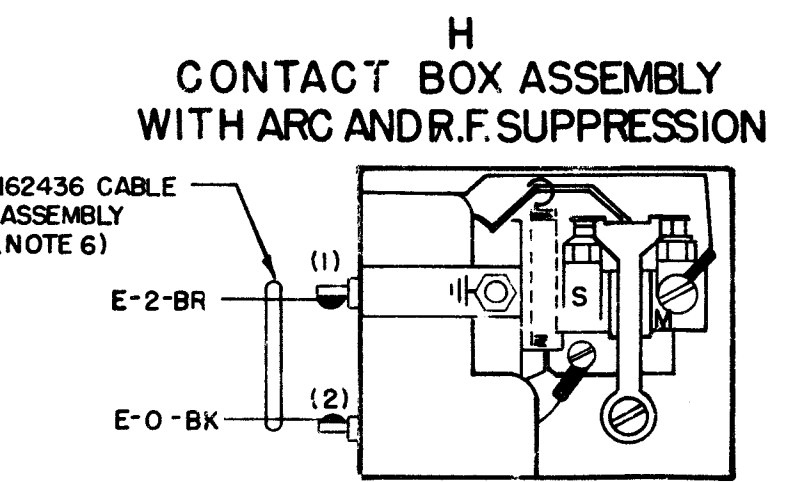
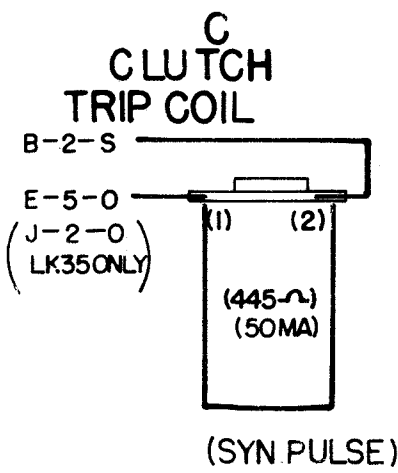
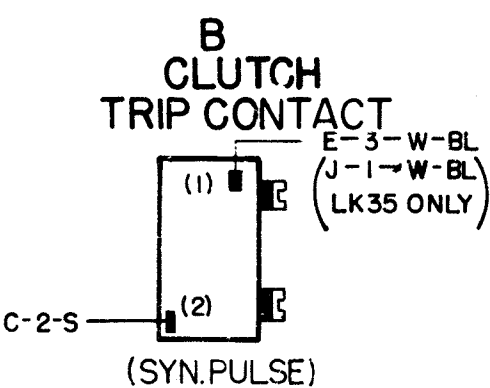
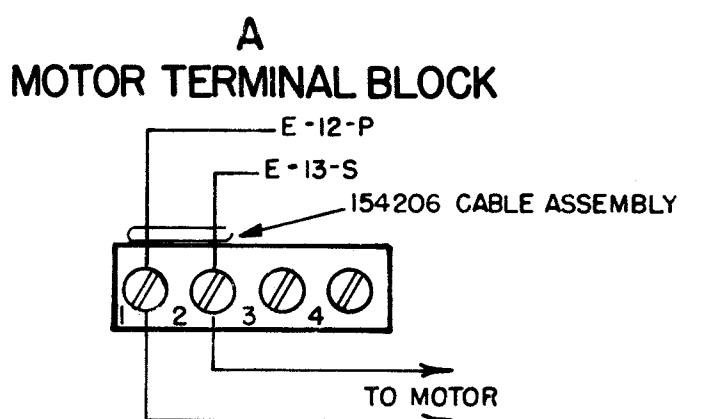
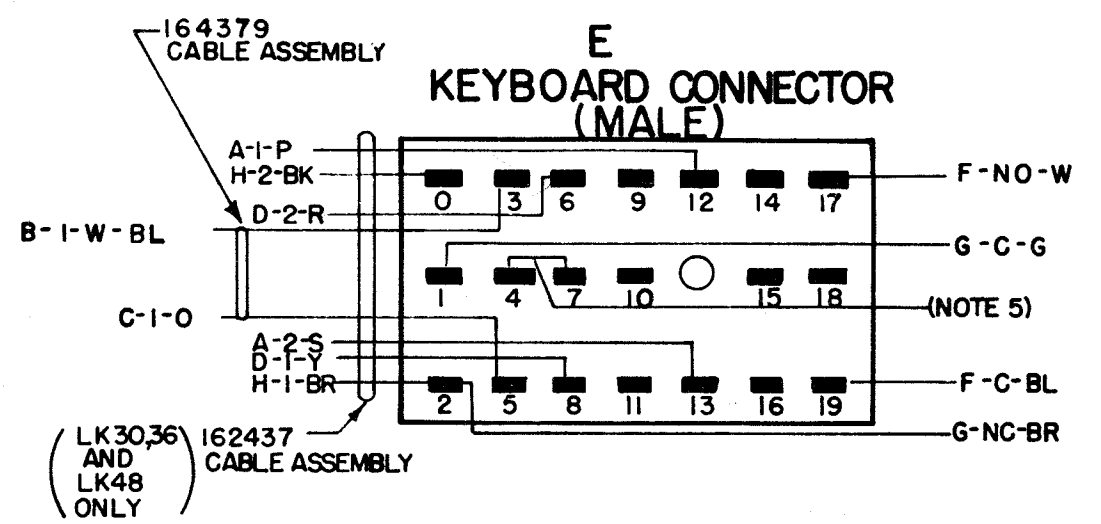


- NO. NOTES**
- POWER CIRCUITS WIRED FOR 115 V. AC OR DC OPERATION.
 - WIRE COLOR CODE

BK	BLACK	BL	BLUE	BR	BROWN
R	RED	Y	YELLOW	S	SLATE
P	PURPLE	O	ORANGE	W BL	WHITEBLUE
G	GREEN	W	WHITE		
 - CONNECTORS VIEWED FROM SOLDER TERMINAL ENDS.
 - WIRING LEGEND

---	DISTANT TERMINATING AREA
---	DISTANT TERMINAL DESIGNATION
---	WIRE COLOR CODE
 - STRAP NECESSARY FOR OPERATION WITH LESU 7.
 - GROUND STRAP TERMINATES AT TOP OF KEYBOARD BASE LOWER PLATE BY MEANS OF LEFT FRONT 151549 KEYBOARD SPECIAL MOUNTING SCREW.
 - (LK 35 ONLY) UNCOIL ROUTE, AND CONNECT 179362 CABLE TO TWO OPEN CABINET TERMINALS, TYING UP ANY SLACK.
 - MOUNT THE 179363 CABLE TO THE KEYBOARD WITH 121243 CABLE CLAMP (LK 35 ONLY)



4718 WD

REVISIONS		
ISSUE	DATE	AUTH. NO.
2	4-10-62	73052
3	8-29-62	74368
4	11-29-62	75189
5	10-17-63	78376
6	12-12-63	79720

ACTUAL WIRING DIAGRAM FOR MODEL -28 KEYBOARD LK30,35, 36 AND 48

APPROVALS

R AND D	E OF M
<i>[Signature]</i>	<i>[Signature]</i>

E-NUMBER

PROD. NO. 4718 WD

DATE: 12-4-61

R. & D. FILE NO. 2-1E 65AA

DRAWN R.S. CHKD

ENGD. DAK APPD.

TELETYPE CORPORATION

4718 WD