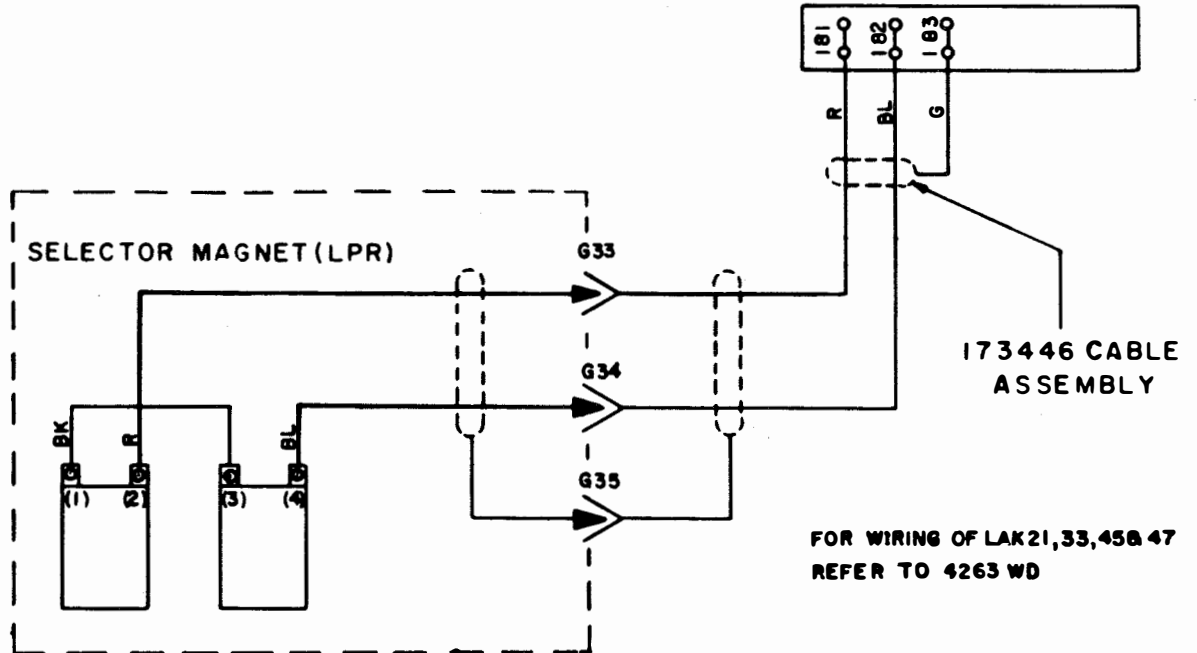


4350 WD

REVISIONS

ISSUE	DATE	AUTH. NO.
2	11-30-60	CC 192
3	3-15-65	86467

C
 CABINET TERMINAL
 BLOCK
 (IN AUTOMATIC SEND-RE CEIVE CABINET)



NOTE
 CLAMP 173446 CABLE ASSEMBLY
 TO AUXILIARY REPERFORATOR GEAR
 GUARD MOUNTING SCREW.

ACTUAL
 WIRING DIAGRAM
 FOR VCL 221 & OTHERS
 USING 173446 CABLE ASSM.

APPROVALS

D AND R E OF M

O.A.L. *N*

E-NUMBER

PROD. NO. 4350 WD

DATE: 10-14-60

P.D. FILE NO. 18-A 65/2,218A

DRAWN J.E.R. CHKD. *RS*

ENG. D.C.L. APPD. *RS*

TELETYPE CORPORATION

4350 WD

2/8