

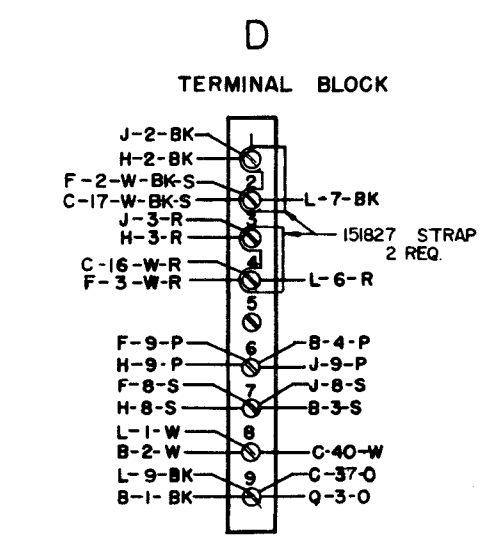
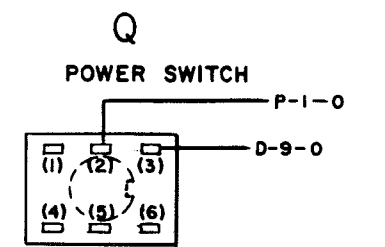
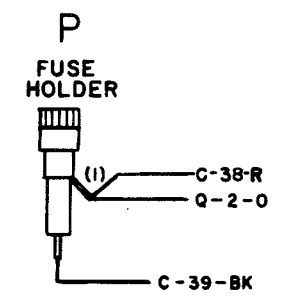
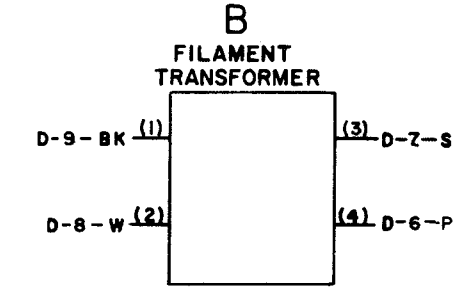
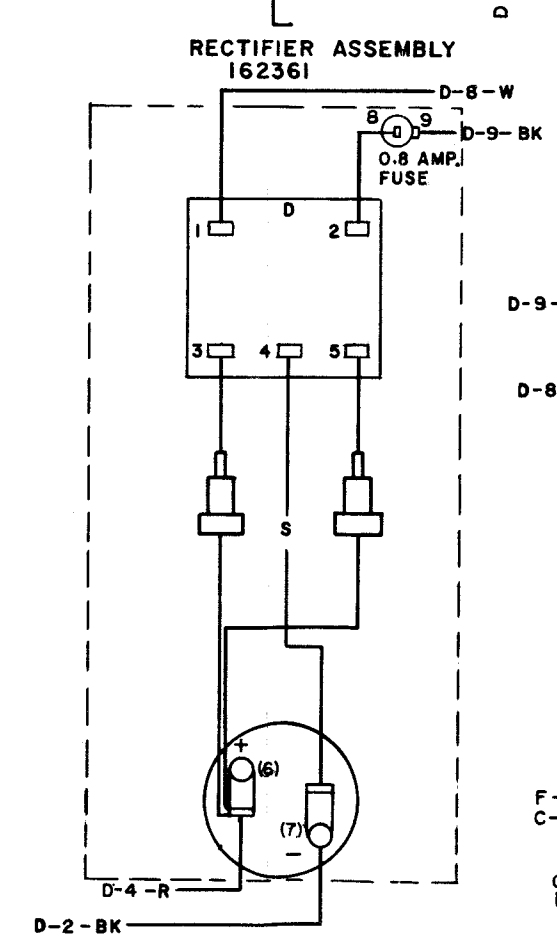
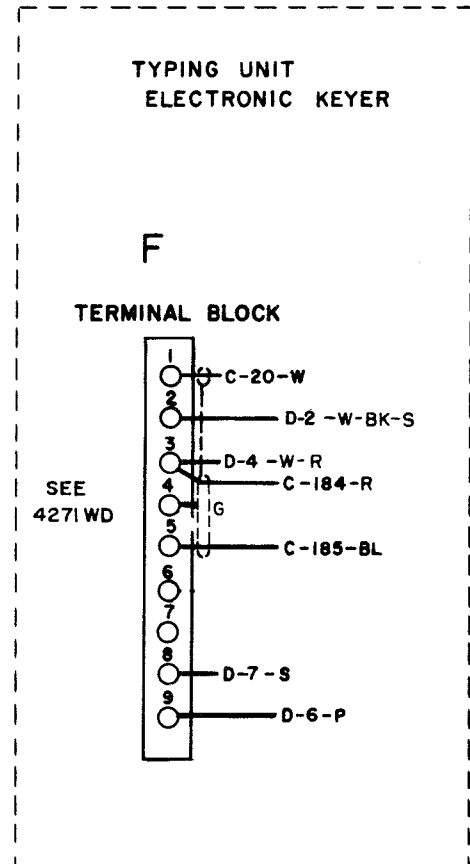
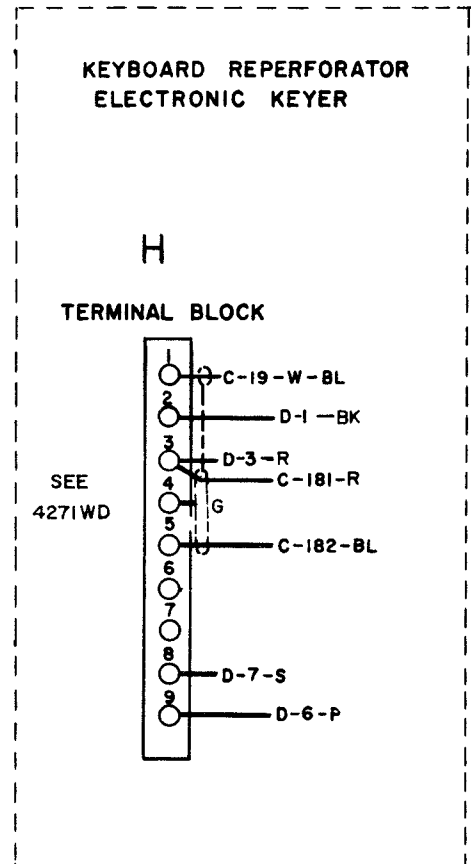
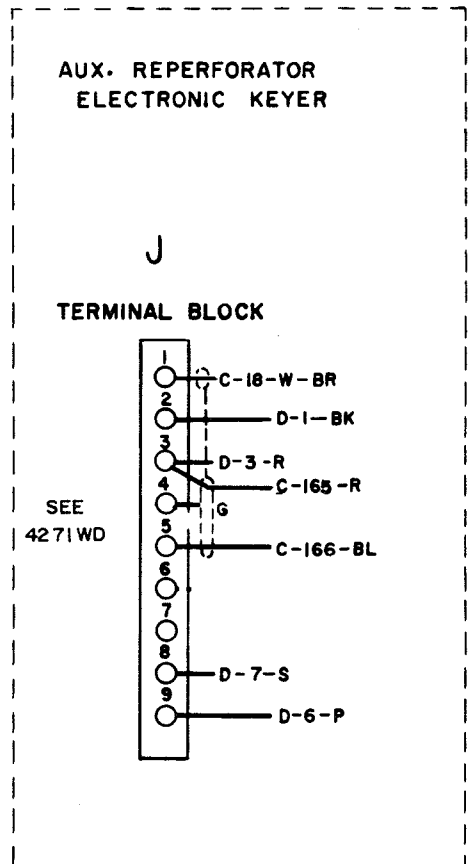
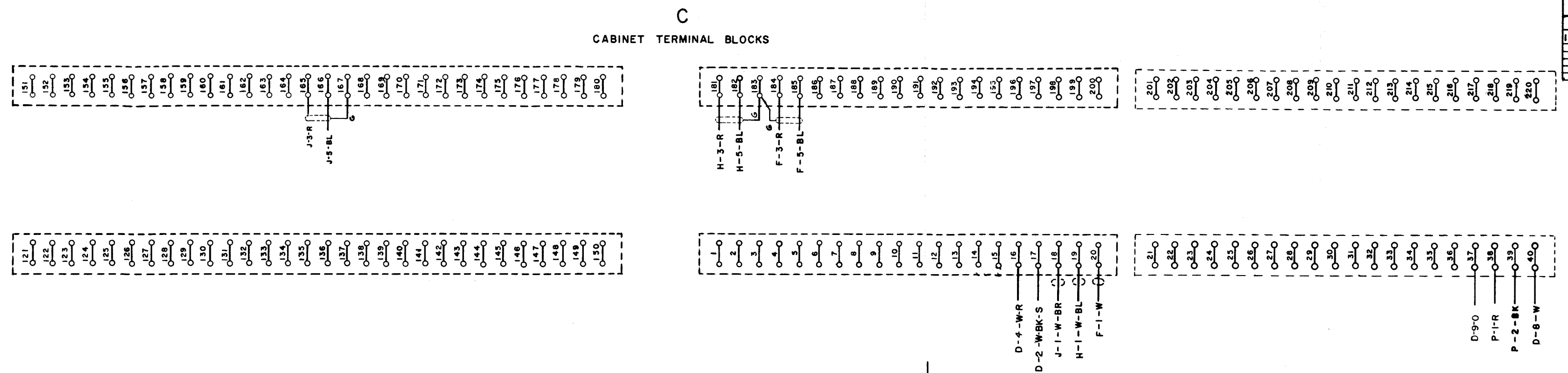
4274 WD		
REVISIONS		
ISSUE	DATE	AUTH. NO.
A	2-28-59	66-186
B	11-2-59	66-187
C	6-28-60	66-187

NOTES

1. WIRING LEGEND:
 A-I-W DISTANT TERMINATING AREA
 DISTANT TERMINAL DESIGNATION
 WIRE COLOR CODE

2.

3. SEE 4275WD FOR SCHEMATIC WIRING



ACTUAL
WIRING DIAGRAM
ELECTRICAL SERVICE
ASSEMBLY
173823
173824
AUTOMATIC
SEND-RECEIVE
CABINET
LAAC 229

DATE: 6-6-60
 P.D. FILE NO. 18-465/21884
 DRAWN: A.D. CHKD: [Signature]
 ENGD: D.C.L. APPD: [Signature]

TELETYPE
CORPORATION
4274WD