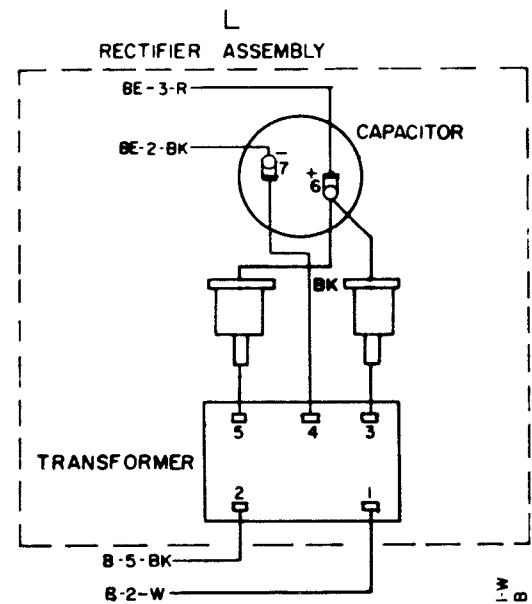
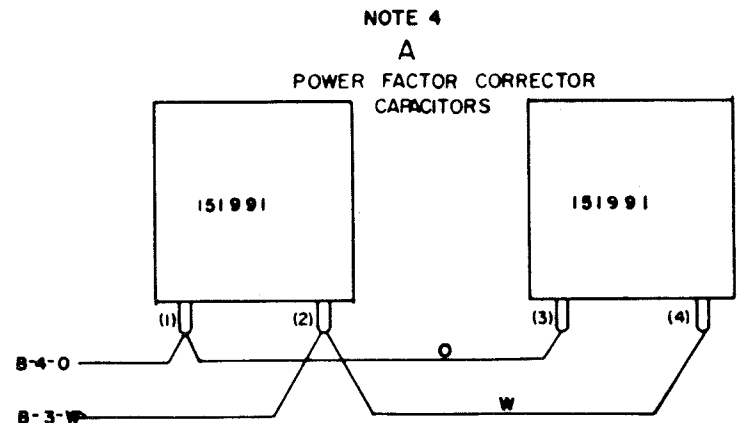


4270WD		
REVISIONS		
ISSUE	DATE	AUTH NO
1	7-22-60	CE-104
2	10-26-60	CE-104
3	1-10-61	CE-104
4	1-10-61	CE-104

NO	NOTES
1	WIRING LEGEND DISTANT TERMINATING AREA DISTANT TERMINAL DESIGNATION WIRE COLOR CODE
2	COLOR CODE BK-BLACK BR-BROWN R-RED O-ORANGE Y-YELLOW G-GREEN BL-BLUE P-PURPLE W-WHITE S-SLATE W-BK-WHITE-BLACK W-BR-WHITE-BROWN W-R-WHITE-RED W-O-WHITE-ORANGE W-Y-WHITE-YELLOW W-G-WHITE-GREEN W-BL-WHITE-BLUE W-P-WHITE-PURPLE W-S-WHITE-SLATE
3	
4	POWER FACTOR CORRECTION CAPACITORS ARE NOT INCLUDED IN THE 173816 ELECTRICAL SERVICE ASSEMBLY.
5	SEE 4269 WD FOR SCHEMATIC WIRING.

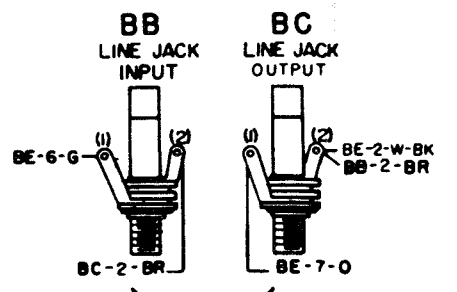
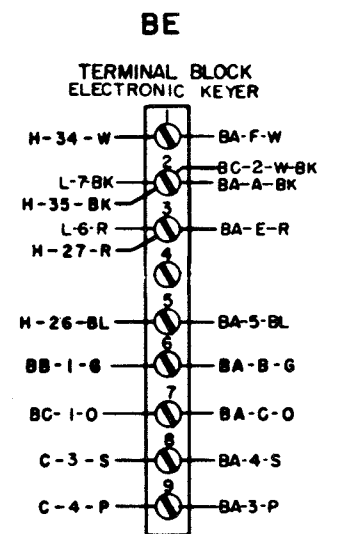
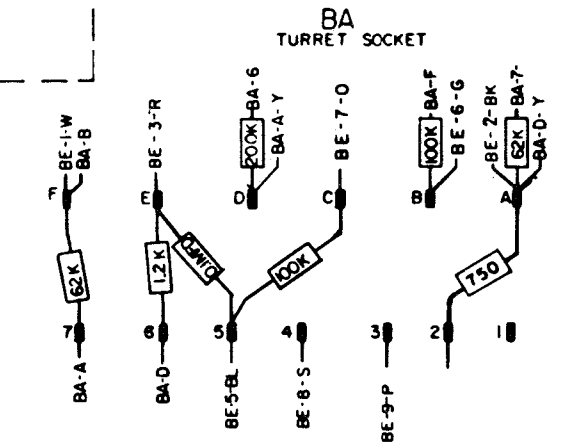
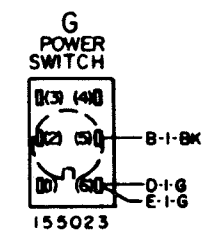
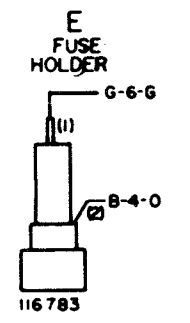
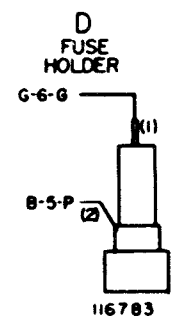
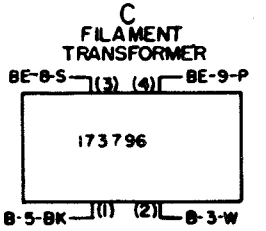
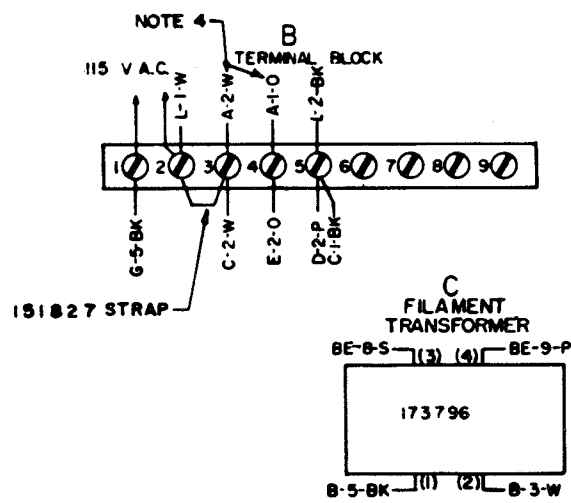


173845
40-POINT TERMINAL BLOCK

(4)	---	(1)	---	(4)
(8)	---	(5)	---	(8)
(12)	---	(9)	---	(12)
(16)	---	(13)	---	(16)
(20)	---	(17)	---	(20)
(24)	---	(21)	---	(24)
(28)	---	(25)	---	(28)
(32)	---	(29)	---	(32)
(36)	---	(33)	---	(36)
(40)	---	(37)	---	(40)

H
LEADS CONNECTED TO INSIDE OF 40-POINT TERMINAL BLOCK

1		11		21		31	
2		12		22		32	
3		13		23		33	
4		14		24		34	BE-1 W
5		15		25		35	BE-2 BK
6		16		26	BE-5 BL	36	
7		17		27	BE-3 R	37	
8		18		28		38	
9		19		29		39	
10		20		30		40	



APPROVALS	
D AND R	E OF M
<i>0.9</i>	<i>N</i>
E NUMBER	
PROD NO 4270 WD	
ACTUAL WIRING DIAGRAM ELECTRICAL SERVICE ASSEMBLY 173395	
173816	
DATE 6-10-60	
P.O. FILE NO 18-A65/2 218A	
DRAWN NKG (CHKD <i>...</i>)	
ENGR DCL APPR <i>...</i>	
TELETYPE CORPORATION	
4270 WD	