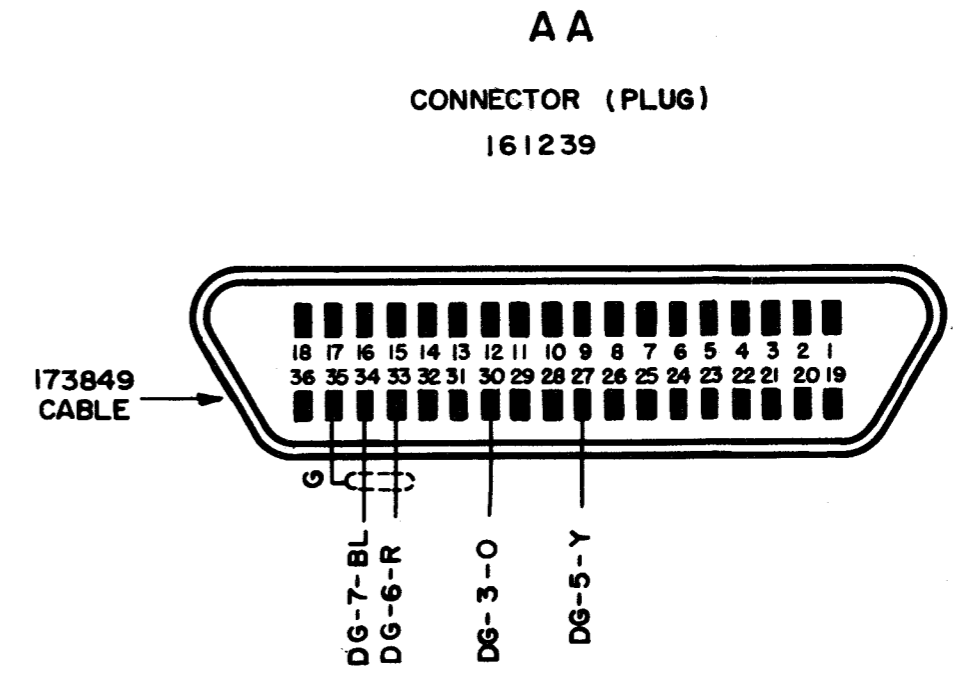
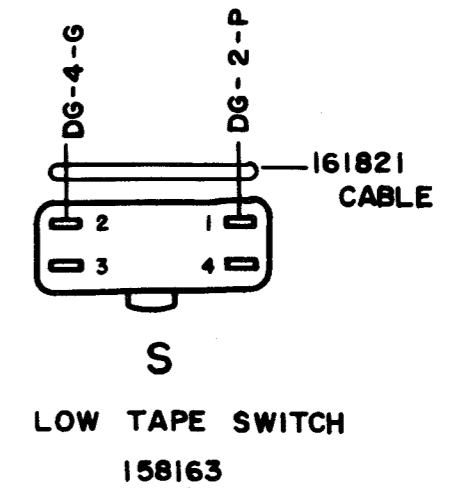
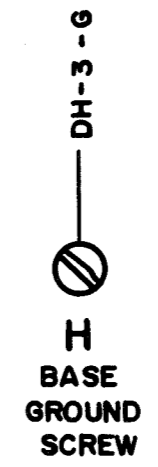
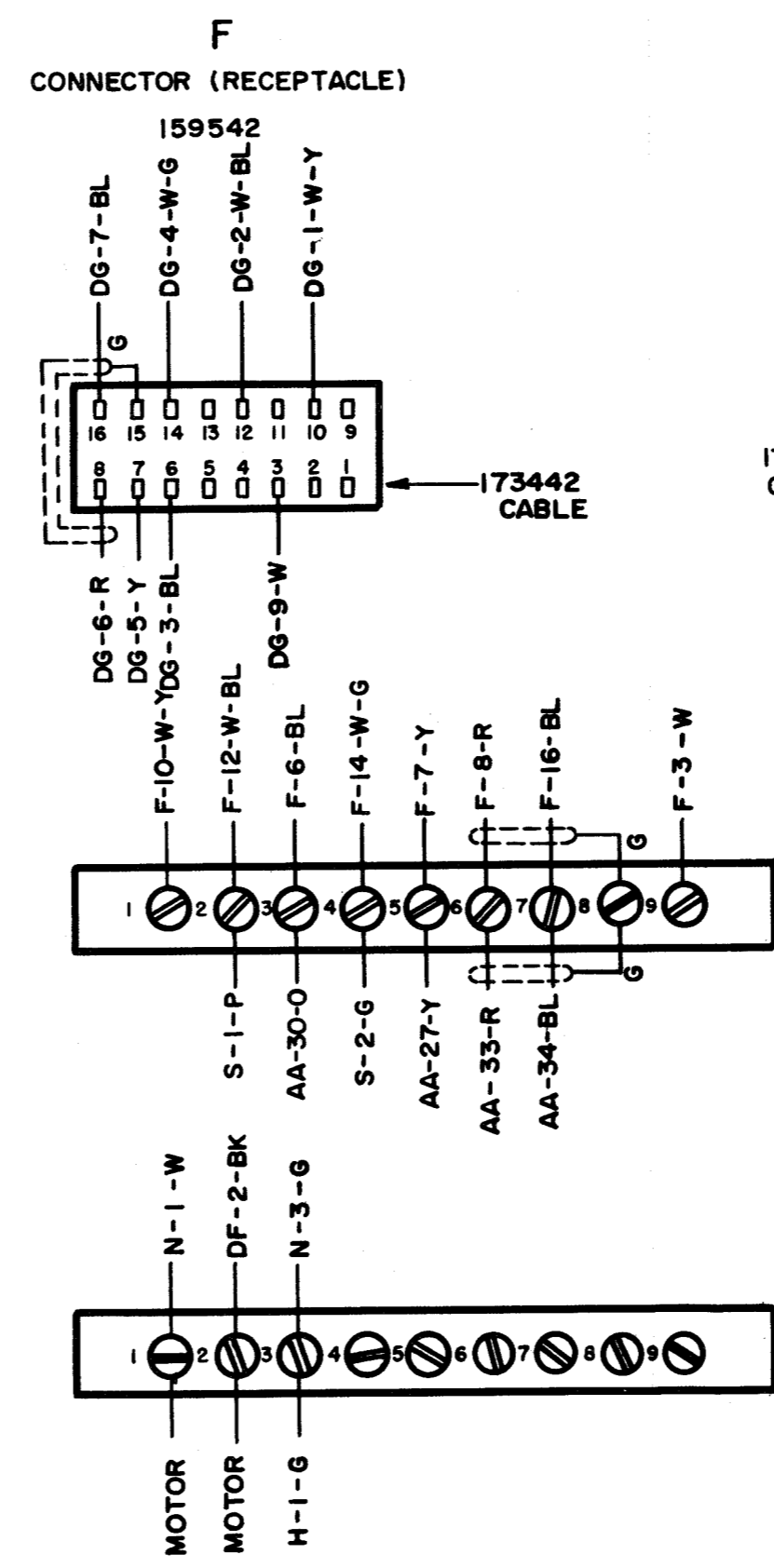
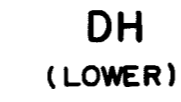
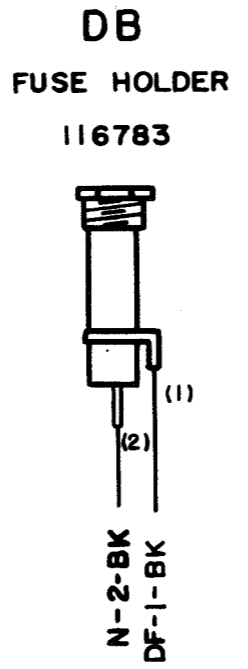
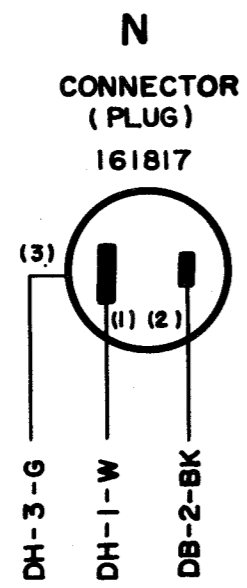
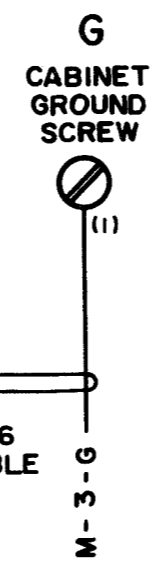
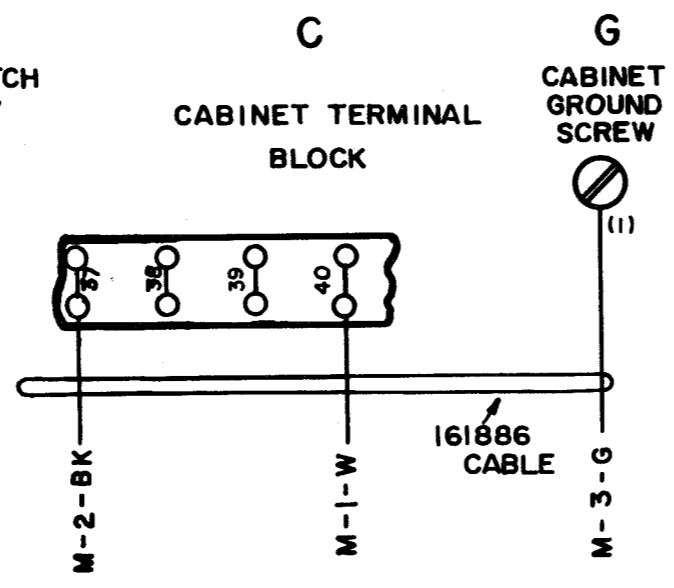
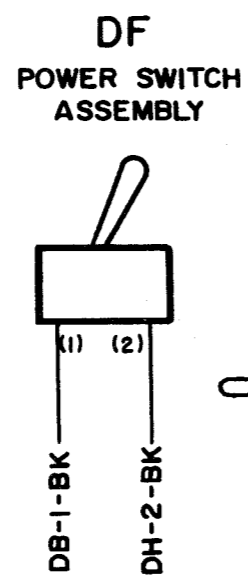
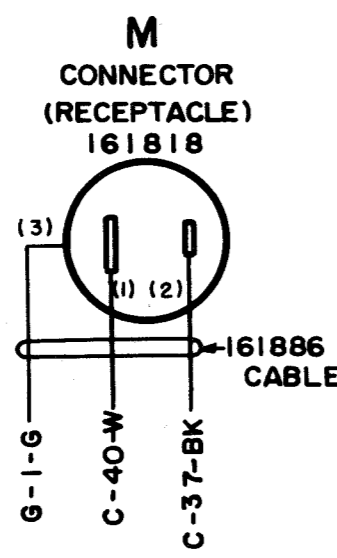


NO.	NOTES																				
1.	<p>WIRING LEGEND</p> <p>AA-2-W</p>																				
2.	<p>COLOR CODE:</p> <table border="0"> <tr> <td>BK - BLACK</td> <td>W-BK WHITE - BLACK</td> </tr> <tr> <td>BR - BROWN</td> <td>W-BR WHITE - BROWN</td> </tr> <tr> <td>R - RED</td> <td>W-R WHITE - RED</td> </tr> <tr> <td>O - ORANGE</td> <td>W-O WHITE - ORANGE</td> </tr> <tr> <td>Y - YELLOW</td> <td>W-Y WHITE - YELLOW</td> </tr> <tr> <td>G - GREEN</td> <td>W-G WHITE - GREEN</td> </tr> <tr> <td>BL - BLUE</td> <td>W-BL WHITE - BLUE</td> </tr> <tr> <td>S - SLATE</td> <td>W-S WHITE - SLATE</td> </tr> <tr> <td>P - PURPLE</td> <td>W-P WHITE - PURPLE</td> </tr> <tr> <td>W - WHITE</td> <td></td> </tr> </table>	BK - BLACK	W-BK WHITE - BLACK	BR - BROWN	W-BR WHITE - BROWN	R - RED	W-R WHITE - RED	O - ORANGE	W-O WHITE - ORANGE	Y - YELLOW	W-Y WHITE - YELLOW	G - GREEN	W-G WHITE - GREEN	BL - BLUE	W-BL WHITE - BLUE	S - SLATE	W-S WHITE - SLATE	P - PURPLE	W-P WHITE - PURPLE	W - WHITE	
BK - BLACK	W-BK WHITE - BLACK																				
BR - BROWN	W-BR WHITE - BROWN																				
R - RED	W-R WHITE - RED																				
O - ORANGE	W-O WHITE - ORANGE																				
Y - YELLOW	W-Y WHITE - YELLOW																				
G - GREEN	W-G WHITE - GREEN																				
BL - BLUE	W-BL WHITE - BLUE																				
S - SLATE	W-S WHITE - SLATE																				
P - PURPLE	W-P WHITE - PURPLE																				
W - WHITE																					
3.	ASSOCIATED CABLE ASSEMBLIES 161886, 173441, 173442 AND 173849.																				
4.	ALL CONNECTORS VIEWED FROM SOLDER END.																				
5.	TERMINAL DESIGNATIONS ENCLOSED IN PARENTHESIS ARE NOT MARKED ON COMPONENTS.																				
6.	FOR SCHEMATIC WIRING DIAGRAM SEE 4275 WD.																				



**4266 WD**

REVISIONS		
ISSUE	DATE	AUTH. NO.
A	11-3-60	CC-154
B	11-18-60	CC-182
C	12-1-63	78325

ACTUAL WIRING DIAGRAM  
MODEL 28  
REPERFORATOR BASE  
LRB 32

APPROVALS	
D AND R <i>DAL.</i>	E OF M <i>N</i>
E NUMBER	
PROD. NO. 4266 WD	
DATE 6-23-60	
PD. FILE NO. 18-AGS/2219A	
DRAWN NAR CHK'D	
ENG. D.C.L. APP'D.	
TELETYPE CORPORATION	
4266 WD	