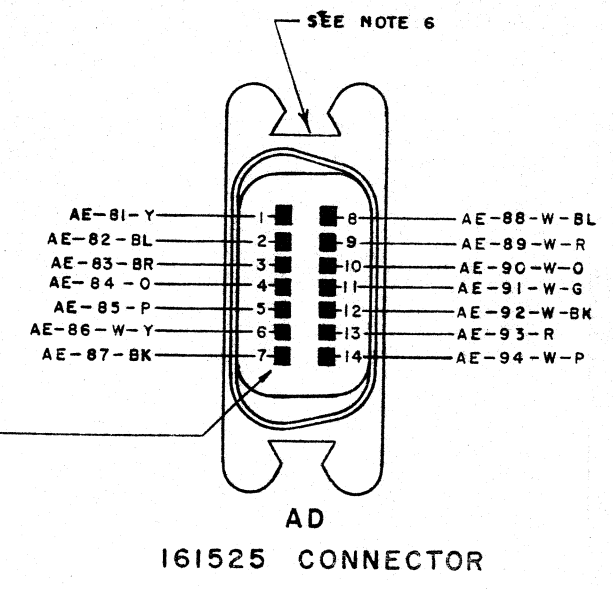
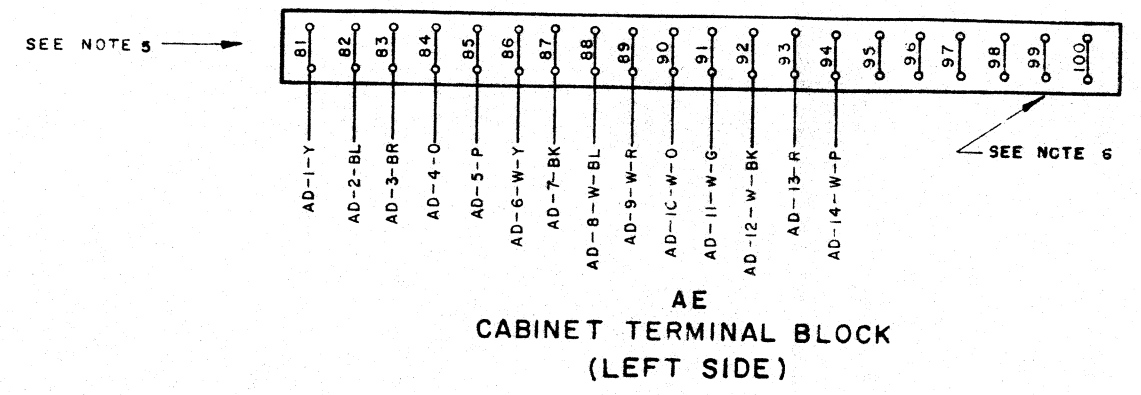
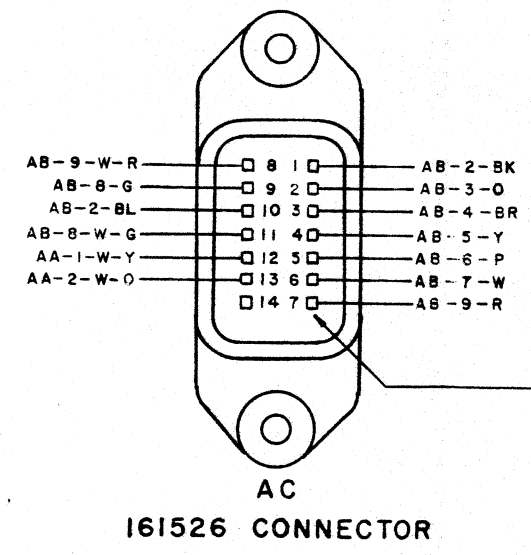
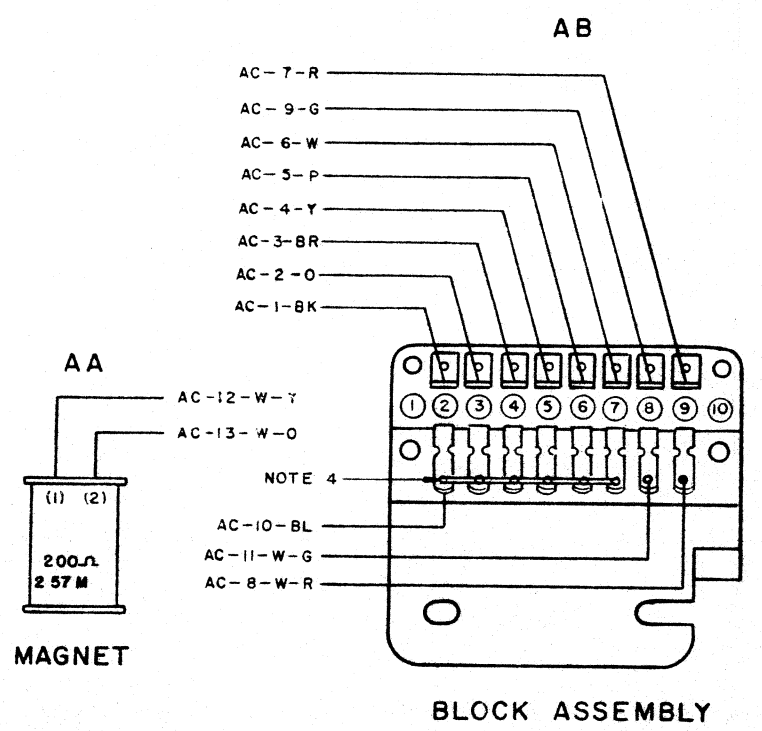


NO	NOTES																		
1	WIRING LEGEND 																		
2	COLOR CODE <table border="0"> <tr> <td>BK - BLACK</td> <td>W-G WHITE-GREEN</td> </tr> <tr> <td>BL - BLUE</td> <td>W-O WHITE-ORANGE</td> </tr> <tr> <td>BR - BROWN</td> <td>W-R WHITE-RED</td> </tr> <tr> <td>G - GREEN</td> <td>W-Y WHITE-YELLOW</td> </tr> <tr> <td>O - ORANGE</td> <td>W-BK WHITE-BLACK</td> </tr> <tr> <td>P - PURPLE</td> <td>W-BL WHITE-BLUE</td> </tr> <tr> <td>R - RED</td> <td></td> </tr> <tr> <td>W - WHITE</td> <td></td> </tr> <tr> <td>Y - YELLOW</td> <td></td> </tr> </table>	BK - BLACK	W-G WHITE-GREEN	BL - BLUE	W-O WHITE-ORANGE	BR - BROWN	W-R WHITE-RED	G - GREEN	W-Y WHITE-YELLOW	O - ORANGE	W-BK WHITE-BLACK	P - PURPLE	W-BL WHITE-BLUE	R - RED		W - WHITE		Y - YELLOW	
BK - BLACK	W-G WHITE-GREEN																		
BL - BLUE	W-O WHITE-ORANGE																		
BR - BROWN	W-R WHITE-RED																		
G - GREEN	W-Y WHITE-YELLOW																		
O - ORANGE	W-BK WHITE-BLACK																		
P - PURPLE	W-BL WHITE-BLUE																		
R - RED																			
W - WHITE																			
Y - YELLOW																			
3	CONNECTOR VIEWED FROM SOLDERED TERMINAL END																		
4	STRAP WITH 39522 RM WIRE AS INDICATED.																		
5	FOR LAAC (ASR) & FOR LAC (KSR, RO)																		
6	161525 CONNECTOR & CABINET TERMINAL BLOCK. NOT ASSOCIATED WITH LD15																		



4113 WD		
REVISIONS		
ISSUE	DATE	AUTH. NO.
A	1-10-61	68736
B	2-28-61	68975
C	4-17-61	69456
D	8-2-61	70508

APPROVALS	
D AND R <i>[Signature]</i>	E OF M <i>[Signature]</i>
E-NUMBER	
PROD NO. 4113 WD	
ACTUAL WIRING DIAGRAM MODEL 28 MULTIPLE WIRE DISTRIBUTOR LD8, LD9 LD10, & LD15	
DATE JAN. 6, 1960	
P.D.F. NO. 1-30/11.65A175	
DR. LIPUMA	CHKD. <i>[Signature]</i>
ENG. G.V.	APPD. <i>[Signature]</i>
TELETYPE CORPORATION	
4113 WD	