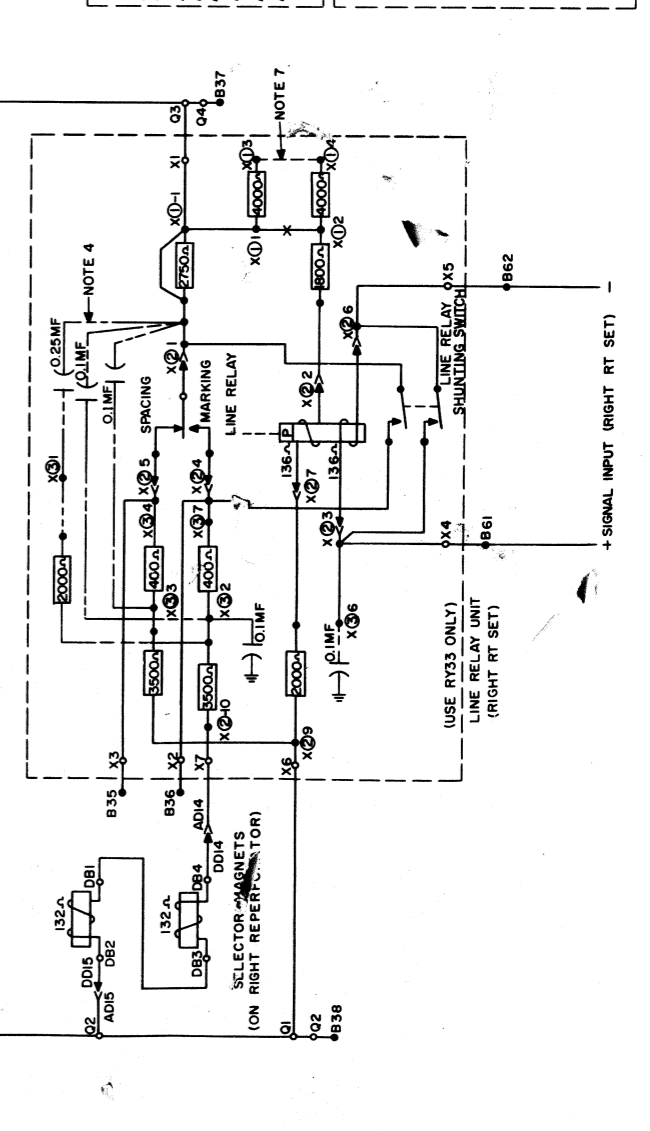
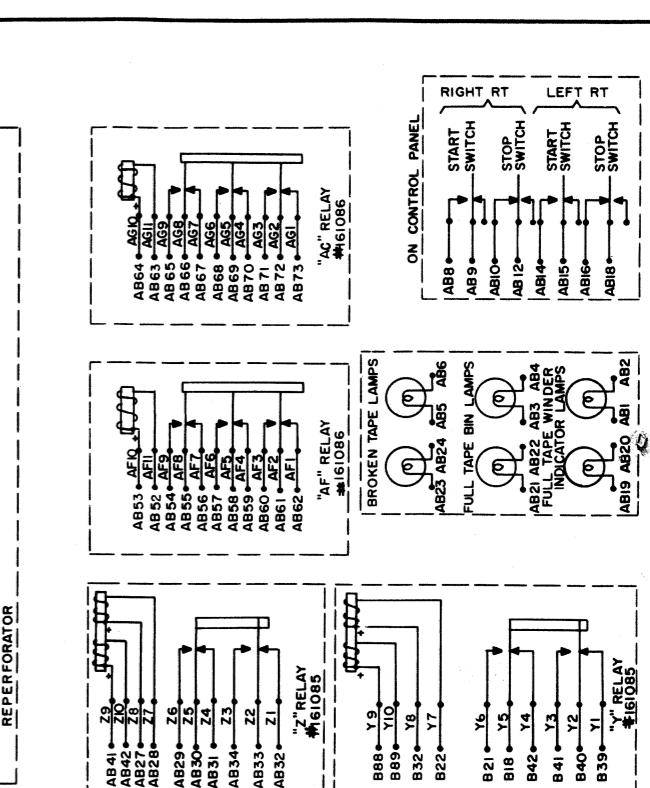
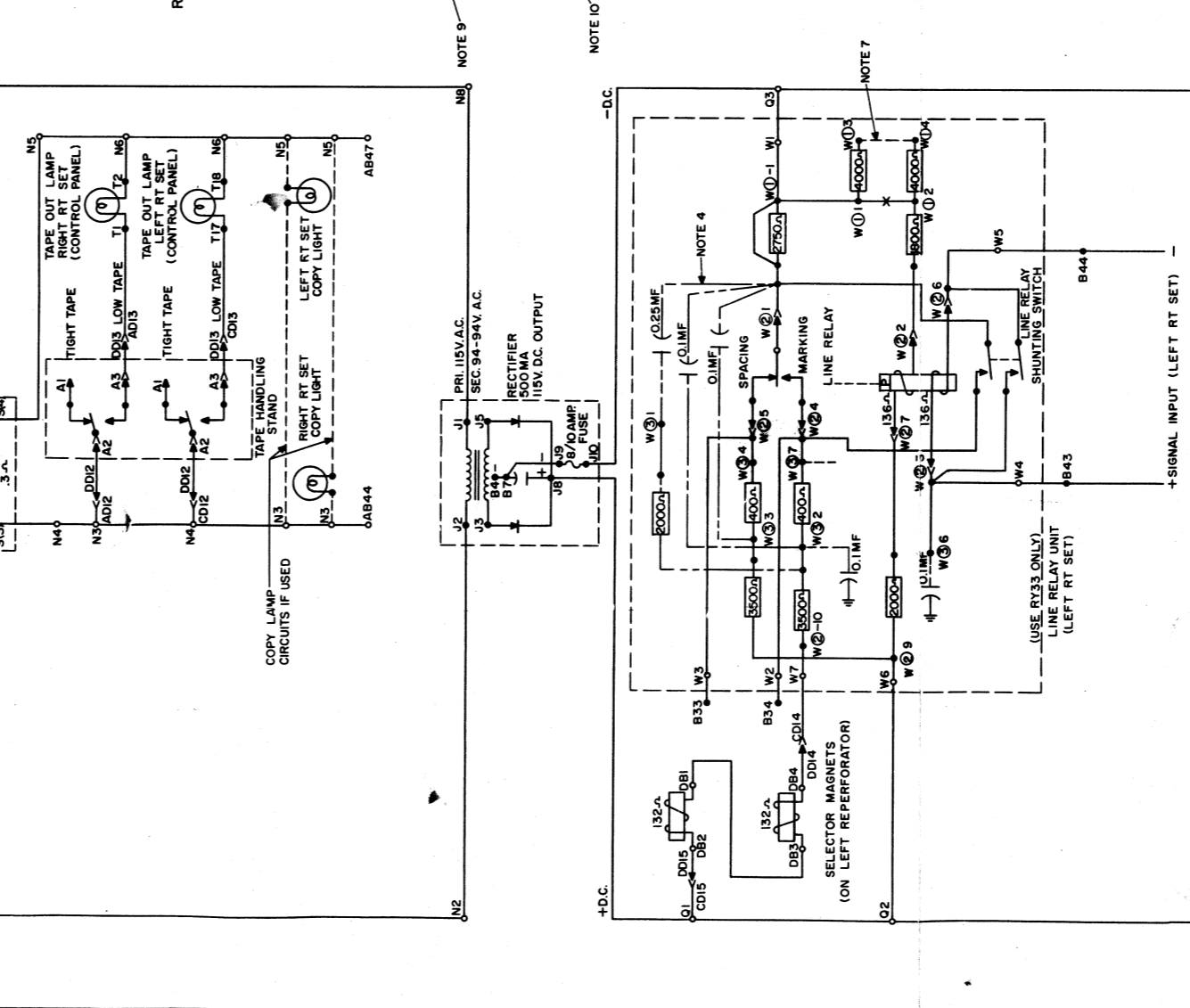
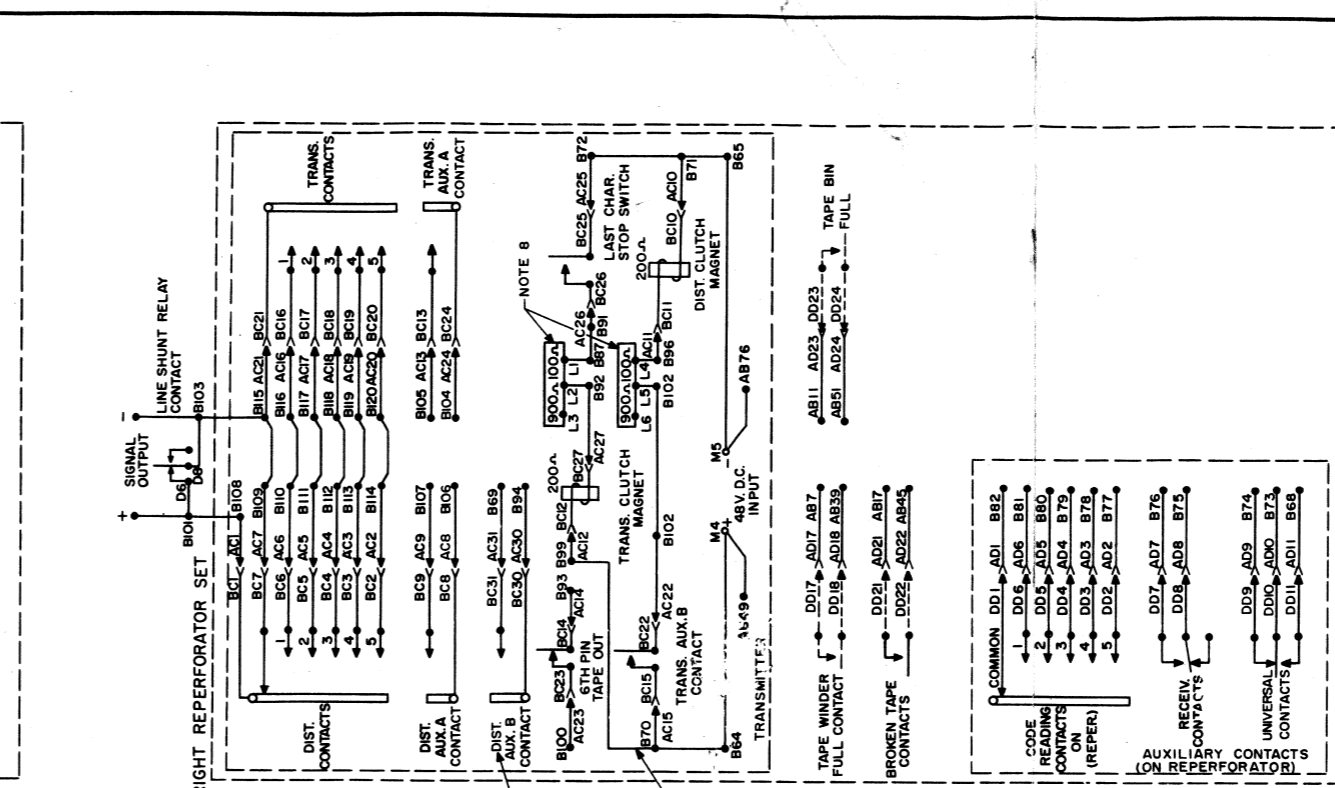
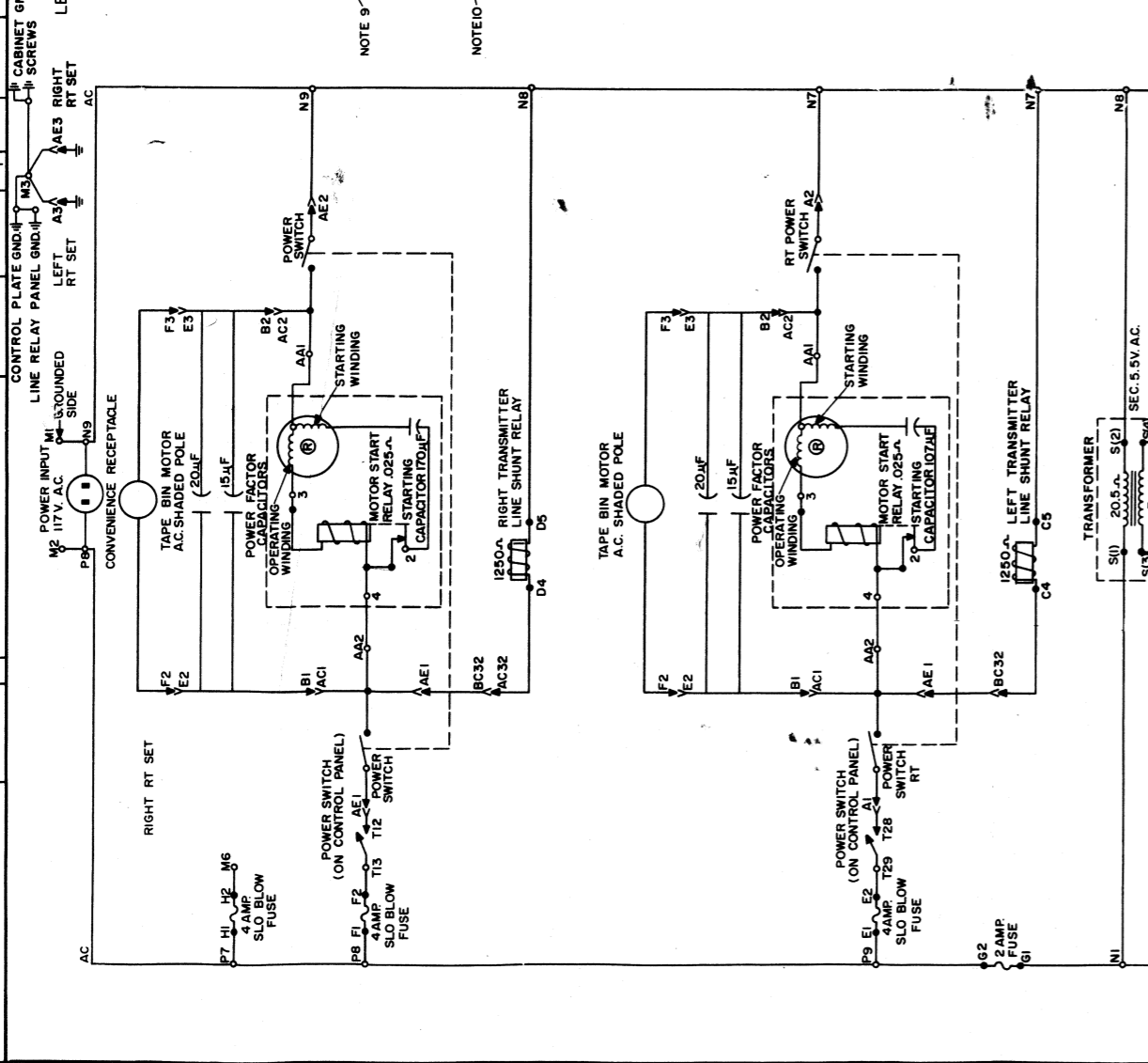
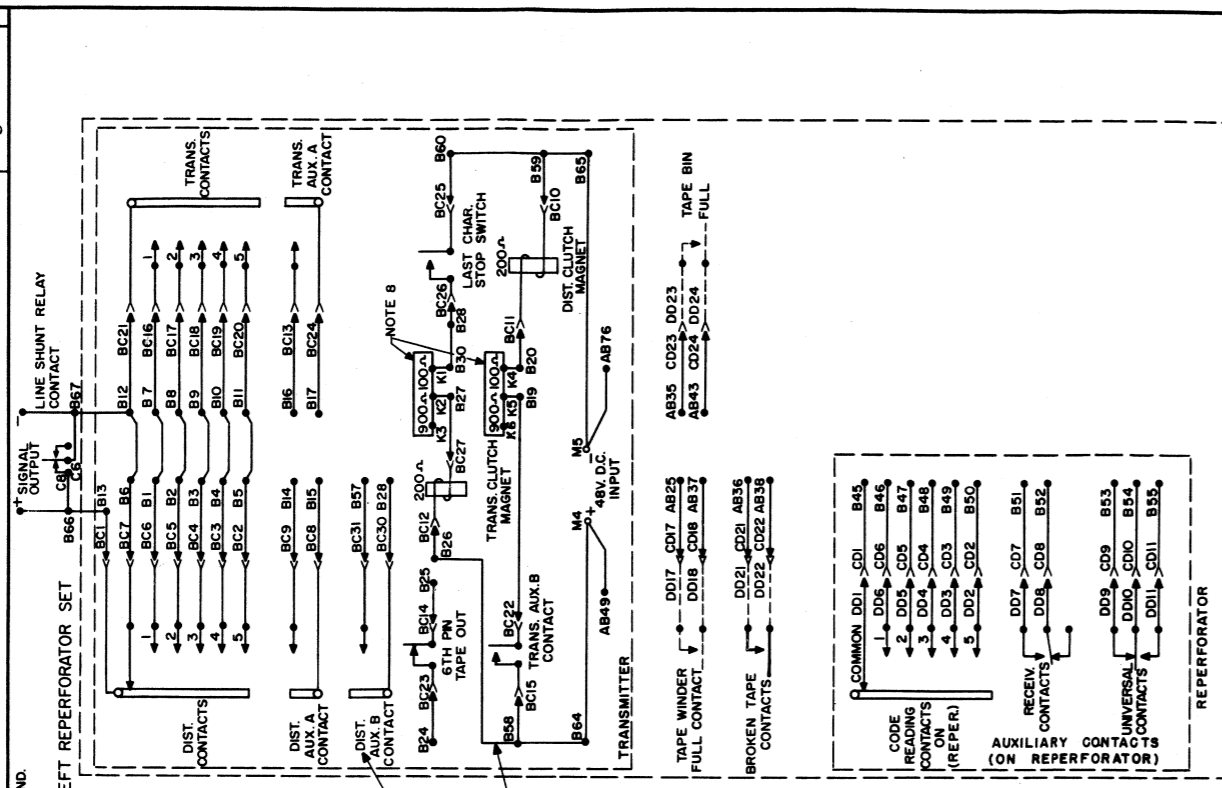


- NOTES**
- FOR ACTUAL WIRING DIAGRAMS OF INDIVIDUAL UNITS SEE:
 2900 WD MOTOR UNITS-LMU11
 3277 WD TRANSMITTER-DISTRIBUTOR-LAXD 1,2
 3279 WD BASE-LRXB 1,2,3,4,5
 3280 WD STAND TAPE HANDLING-LTHS 200
 3457 WD REPERFORATOR TYPING-LPR 3
 3692 WD CABINET-LBAC 201
- LEGEND:**
- AE POWER CONNECTOR (RIGHT RT SET)
 - AF POWER CONNECTOR (LEFT RT SET)
 - B TERMINAL BOARD UPPER
 - C LINE SHUNT RELAY (RIGHT RT SET) (IN RELAY RACK)
 - D LINE SHUNT RELAY (LEFT RT SET) (IN RELAY RACK)
 - E FUSE(LEFT RT SET)(IN RELAY RACK)
 - F FUSE(RIGHT RT SET)(IN RELAY RACK)
 - G FUSE (IN RELAY RACK)
 - H FUSE (IN RELAY RACK)
 - J RECTIFIER ASSEM. (IN RELAY RACK)
 - K LAMP HOLDER
 - L LAMP HOLDER
 - M TERMINAL BOARD
 - OP TERMINAL BOARD (IN RELAY RACK)
 - OO TERMINAL BOARD (IN RELAY RACK)
 - OR TERMINAL BOARD (IN RELAY RACK)
 - Q CONVENIENCE RECEPTACLE (IN RELAY RACK)
 - S TRANSFORMER (IN RELAY RACK)
 - T CONTROL PANEL
 - W LINE RELAY MTG. ASSEMBLY (LEFT RT SET) (IN RELAY RACK)
 - X LINE RELAY MTG. ASSEMBLY (RIGHT RT SET) (IN RELAY RACK)
 - Y RELAY (IN RELAY RACK)
 - Z RELAY (IN RELAY RACK)
 - AB TERMINAL BOARD LOWER
 - AG RELAY (IN RELAY RACK)
 - AC TRANSMITTER-DISTRIBUTOR CONNECTOR (RIGHT RT SET)
 - BC TRANSMITTER-DISTRIBUTOR CONNECTOR (LEFT RT SET)
 - AD BASE CONNECTOR (RIGHT RT SET)
 - CD BASE CONNECTOR (LEFT RT SET)

- USE SYNCHRONOUS MOTOR ON REGULATED 60 (±1%) A.C. POWER ONLY. GOVERNED MOTORS AND OTHER POWER CIRCUITS OPERABLE ON 50 TO 60 UNREGULATED A.C.
- DOT DASH LINES INDICATE FILTERING, SHIELDING AND SUPPRESSION NETWORK.
- ALL APPARATUS IS SHOWN IN UNOPERATED OR DE-ENERGIZED POSITION.
- A. RESISTANCE IN OHMS (Ω)
 B. INDUCTIVE VALUES IN MICROHENRIES (MH)
 C. CAPACITANCE VALUES IN MICROFARADS (MF)
- CIRCUITS SHOWN FOR 060 AMP NEUTRAL SIGNAL LINE OPERATION FOR 020 AMP LINE CURRENT. ADD DASHED (---) CONNECTIONS AND OMIT CONNECTIONS MARKED (---) IN LINE RELAY.
- CIRCUIT SHOWN FOR 48V. D.C. POWER INPUT TO TRANSMITTER DISTRIBUTOR CLUTCH MAGNETS. FOR 115V. D.C. POWER INPUT REMOVE AND ADD CONNECTIONS AS FOLLOWS:
- LEFT RT SET: DISCONNECT THE BLUE LEAD FROM K2 AND CONNECT TO K3. DISCONNECT THE BLACK LEAD FROM K5 AND CONNECT TO K6.
 - RIGHT RT SET: DISCONNECT THE WHITE LEAD FROM L2 AND CONNECT TO L3. DISCONNECT THE BROWN LEAD FROM L5 AND CONNECT TO L6.
- POWER SUPPLY MUST DELIVER 300 MA @ 48V. D.C. OR 200 MA @ 115V. D.C.
- LAXD 1 ONLY, OMIT ON LAXD 2
- TRANSMITTER CLUTCH MAGNET CIRCUIT NOT WIRED FOR "6TH PIN TAPE OUT" AND "TRANSMITTER START-STOP" CONTROL. CUSTOMER TO SUPPLY APPROPRIATE STRAPPING AND CIRCUITRY FOR THESE COMPONENTS.



3691 WD

REVISIONS

ISSUE	DATE	AUTH. NO.
A	5-14-59	28-11227
B	6-18-59	28-11590
C	11-16-59	28-11581

APPROVALS

D AND R	E OF M

E-NUMBER 112279-B
 PROJ. NO. 3691 WD

SCHEMATIC WIRING DIAGRAM MODEL 28

REPERFORATOR TRANSMITTER CABINET LBAC 201

DATE: 3-12-59
 P.O. FILE NO. 1-55,65,220A
 DRAWN: K.F.L. (DND)
 CHECKED: H.F. (AFM)

TELETYPE CORPORATION
 3691 WD