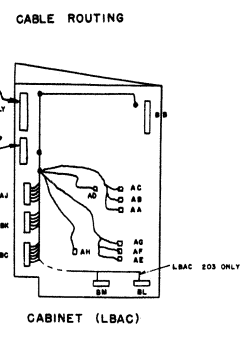
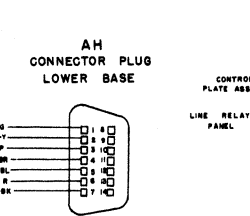
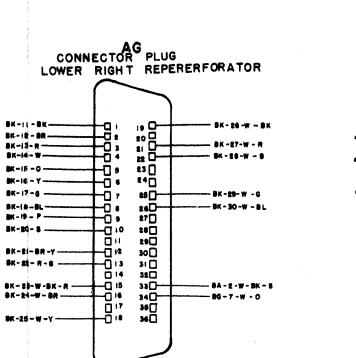
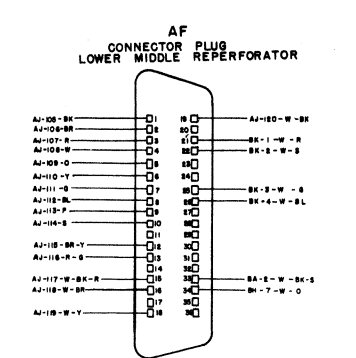
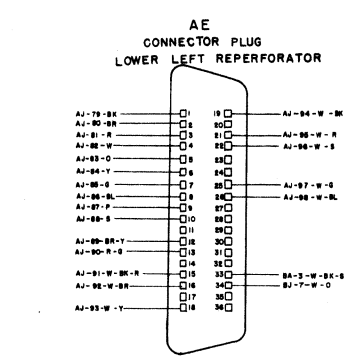
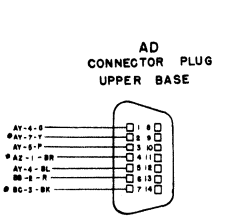
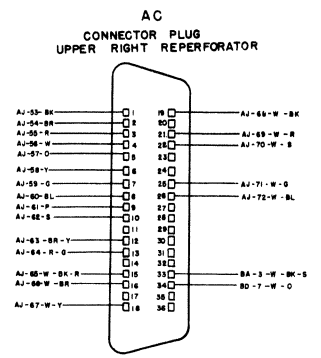
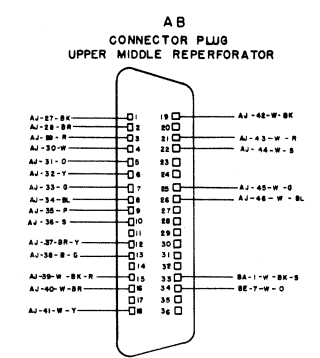
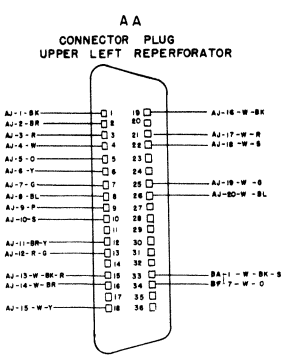


- WIRING LEGEND
- DISTANT TERMINATING AREA
- DISTANT TERMINAL DESIGNATION
- WIRE COLOR CODE
- COLOR CODE
- ASSOCIATED CABLES
- 162674 CABLE ASSEM., TAPE WINDER (USED ONLY ON LBAC 203)
- 162673 CABLE ASSEM., CONTROL
- 163306 CABLE ASSEM., LINE RELAY
- H DENOTES 18 GAGE WIRE
- W DENOTES 20 GAGE WIRE
- ALL OTHER WIRE IS 22 GAGE
- CIRCUIT SHOWN FOR 250 AMP NEUTRAL SIGNAL LINE OPERATION FOR 250 AMP LINE CURRENT ADD (HASHED (-W-)) CONNECTIONS AND JUMP CONNECTIONS MARKED (-) IN LINE RELAYS.
- USE ONLY #733 LINE RELAYS IN LINE RELAY MOUNTING ASSEMBLIES.



AJ TERMINAL BOARD (UPPER)

LEAD SIDE CONNECTIONS	TERMINAL NUMBER	TERMINATING POINT	COLOR
1	AA-1	BK	
2	AA-2	BR	
3	AA-3	BK	
4	AA-4	W	
5	AA-5	W	
6	AA-6	W	
7	AA-7	W	
8	AA-8	W	
9	AA-9	W	
10	AA-10	W	
11	AA-11	W	
12	AA-12	W	
13	AA-13	W	
14	AA-14	W	
15	AA-15	W	
16	AA-16	W	
17	AA-17	W	
18	AA-18	W	
19	AA-19	W	
20	AA-20	W	
21	AA-21	W	
22	AA-22	W	
23	AA-23	W	
24	AA-24	W	
25	AA-25	W	
26	AA-26	W	
27	AA-27	W	
28	AA-28	W	
29	AA-29	W	
30	AA-30	W	
31	AA-31	W	
32	AA-32	W	
33	AA-33	W	
34	AA-34	W	
35	AA-35	W	
36	AA-36	W	

BK TERMINAL BOARD (LOWER)

LEAD SIDE CONNECTIONS	TERMINAL NUMBER	TERMINATING POINT	COLOR
1	AB-1	BK	
2	AB-2	BR	
3	AB-3	BK	
4	AB-4	W	
5	AB-5	W	
6	AB-6	W	
7	AB-7	W	
8	AB-8	W	
9	AB-9	W	
10	AB-10	W	
11	AB-11	W	
12	AB-12	W	
13	AB-13	W	
14	AB-14	W	
15	AB-15	W	
16	AB-16	W	
17	AB-17	W	
18	AB-18	W	
19	AB-19	W	
20	AB-20	W	
21	AB-21	W	
22	AB-22	W	
23	AB-23	W	
24	AB-24	W	
25	AB-25	W	
26	AB-26	W	
27	AB-27	W	
28	AB-28	W	
29	AB-29	W	
30	AB-30	W	
31	AB-31	W	
32	AB-32	W	
33	AB-33	W	
34	AB-34	W	
35	AB-35	W	
36	AB-36	W	

