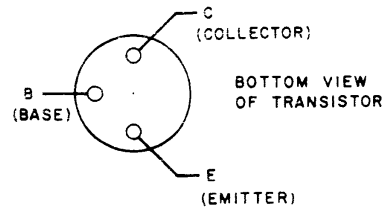
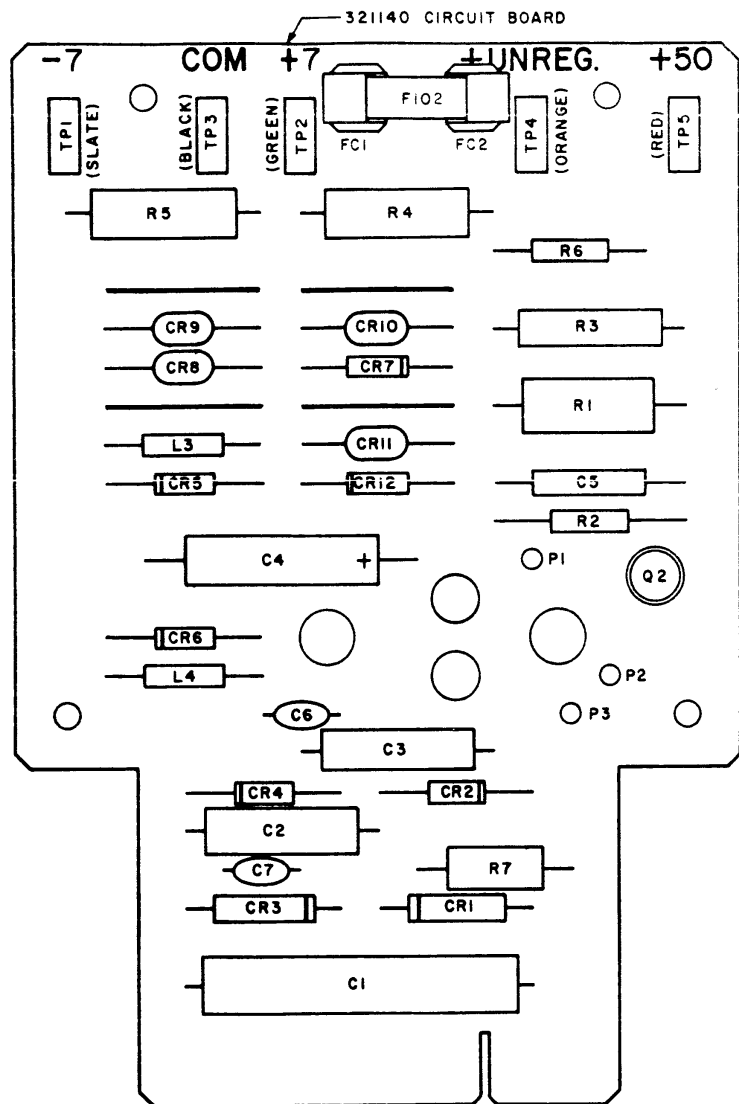


MAINTAIN A MINIMUM SPACING OF 1/4 INCH BETWEEN R4, R5 AND ADJACENT COMPONENTS, ON EITHER SIDE OF R4, R5



CIRCUIT BOARD ASSEMBLY, POWER SUPPLY (47-53V.D.C. .5AMP MAX.)

REF. DESIGN	PART NO.	TOTAL QTY.	NAME AND DESCRIPTION	FUNCTION
C1	312294	1	CAPACITOR, .15MFD 400V	RF FILTER
C2,3	171595	2	CAPACITOR, .22MFD 200V	RF FILTER
C4	171831	1	CAPACITOR, .10MFD 150V	RECTIFIER FILTER
C5	178860	1	CAPACITOR, .022MFD 100V	RF FILTER
C6,7	312385	2	CAPACITOR, .1MFD 10V	RF FILTER
R1	198937	1	RESISTOR, 2.7K 2W	
R2	182180	2	RESISTOR, 200 OHM 1/2W	
R3	171533	1	RESISTOR 4 OHM 5W	
R4,5	311664	2	RESISTOR, 2.5K 8W	DROPPING
R6			SAME AS R2	RF FILTER
R7	305298	1	RESISTOR, 3.3K 3W	BLEEDER
CR1-4	182520	4	DIODE (1N4383)	RECTIFIER
CR5,6	327794	2	DIODE, ZENER (7.2V)	REFERENCE
CR7	321286	2	DIODE, ZENER (1N4749A)	REFERENCE
CR8-11	178844	4	VARIATOR (W.E. 100A)	REFERENCE
CR12			SAME AS CR7	REFERENCE
L3,4	321159	2	INDUCTOR 39 uH	RF FILTER
Q2	321145	1	TRANSISTOR (2N2270)	GAIN
FC1,2	311068	2	FUSE CLIP	
F102	131807	1	FUSE .5 AMP.	
TP1	320042	1	JACK, TEST (SLATE)	
TP2	320041	1	JACK, TEST (GREEN)	
TP3	320039	1	JACK, TEST (BLACK)	
TP4	320040	1	JACK, TEST (ORANGE)	
TP5	320038	1	JACK, TEST (RED)	
P1-3	137471	3	TERMINAL POST	CONNECTOR
	321140	1	CIRCUIT CARD	
	39603RM	33 FT.	24 GA. WIRE, BARE (4 STRAPS)	
	110141	2	RIVET	

3 2 1 1 3 0

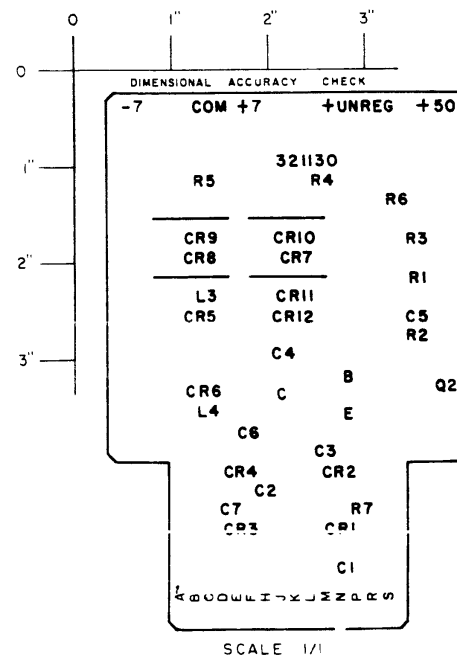
REVISIONS

ISSUE	DATE	AUTH. NO.
2	2-23-67	92981
3	3-29-67	92996
4	4-11-67	93726
5	6-1-67	93511
6	11-7-67	93511-1
7	3-13-68	95422
8	4-11-68	95605
9	5-22-68	95763
10	10-28-68	96033
11	12-20-68	98266

CIRCUIT DESCRIPTION (SEE SHEET 2)

DIODES CR1 AND CR3 FORM A RECTIFIER WITH ASSOCIATED TRANSFORMER (321123) T1 AND CAPACITOR C8 (321129) TO OBTAIN A MINIMUM +58V DC UNREGULATED. Q1 IS AN EMITTER FOLLOWER VOLTAGE REGULATING ELEMENT WHICH ABSORBS THE VOLTAGE DIFFERENCE BETWEEN THE UNREGULATED DC AND THE CONSTANT -50V DC REFERENCE ESTABLISHED BY DIODES CR7-CR12. Q2 PROVIDES GAIN FOR Q1. DIODES CR3, CR4, TRANSFORMER T1 AND CAPACITOR C4 FORM A FULL WAVE RECTIFIER TO OBTAIN NEGATIVE UNREGULATED DC. R4 AND CR6, R5 AND CR5 FORM BASIC SHUNT REGULATORS TO OBTAIN +7 AND -7V DC.

- 1) TELETYPE REFERENCE ONLY: SPECIFICATION 61,2675
- 2) SEE SHEET 2 FOR SCHEMATIC WIRING
- 3) ALL CHARACTERS TO BE .125 HIGH AND PRINTED WITH WHITE ENAMEL.
- 4) ALL PRINTED CHARACTERS TO BE LOCATED ±.031 FROM NOMINAL POSITION.



SHEET 1

WDP

APPROVALS

D AND R: HJK  
E OF M: C#7

E-NUMBER

PROD. NO. 321130

DATE 12-14-66

P.D. FILE NO. 15-65AAA

DRAWN J.J.A.

HKD.

ENGD. B.P.K.

A+PD.

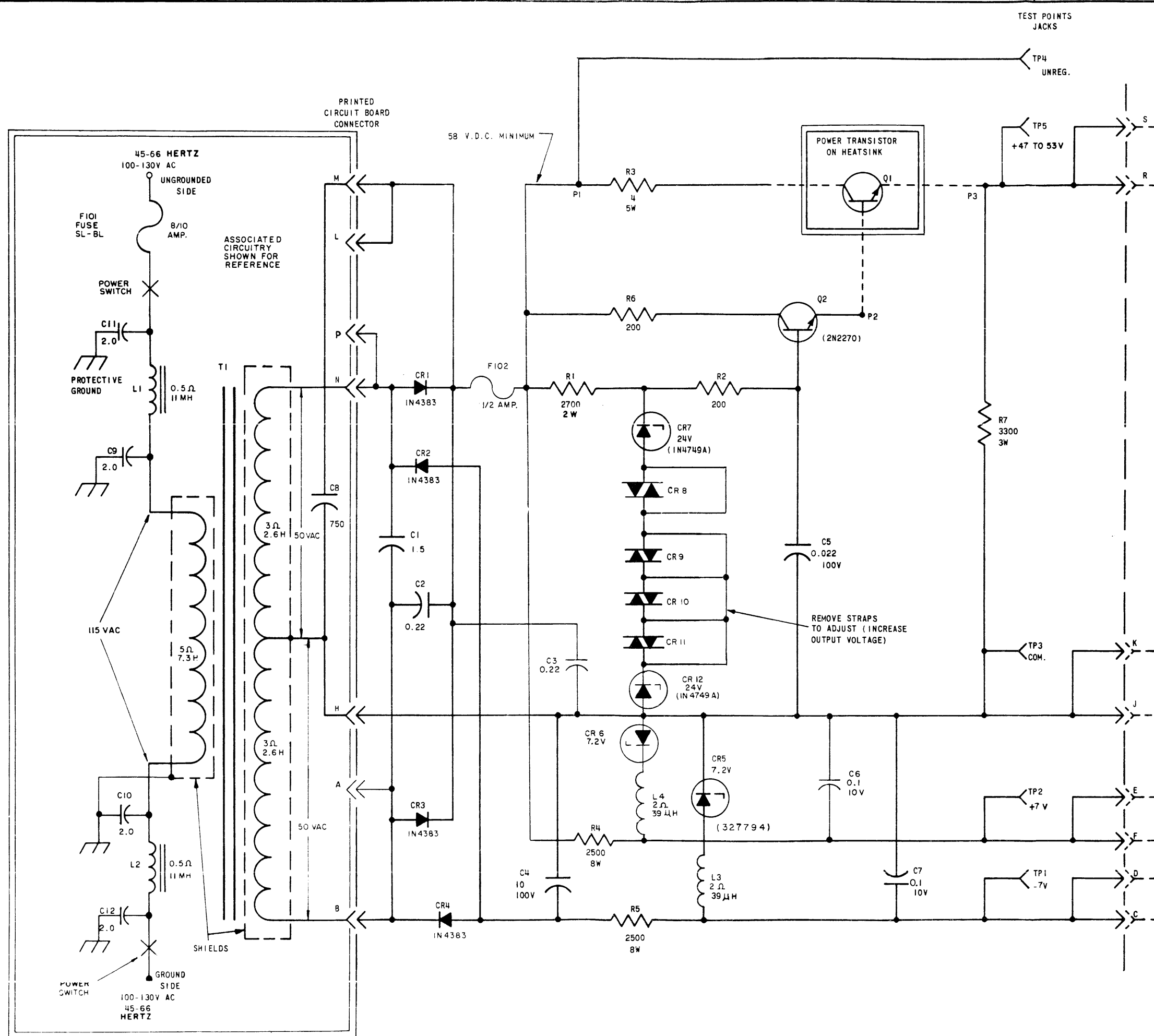
TELETYPE CORPORATION

3 2 1 1 3 0

321130

REVISIONS

ISSUE	DATE	AUTH. NO.
1	2-23-67	92981
2	4-11-67	93726
3	10-26-67	94751 B
4	1-25-68	94934
5	10-28-68	96033
6	12-27-68	98132



SHEET 2

WDP

APPROVALS

D AND R	E OF M
HJK	...

E-NUMBER

PROD. NO. 321130

DATE 12-14-67

P.D. FILE NO. 15-65AAA

DRAWN J.J.A. CHKD. ...

ENGD. B.P.K. APPD. ...

TELETYPE CORPORATION

321130