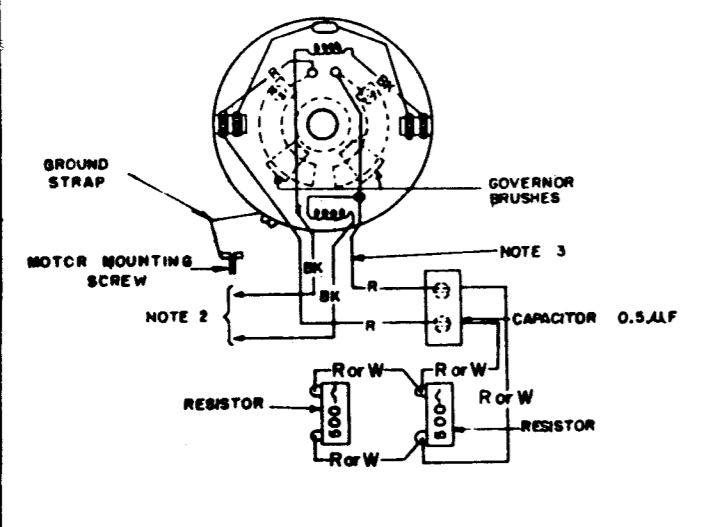
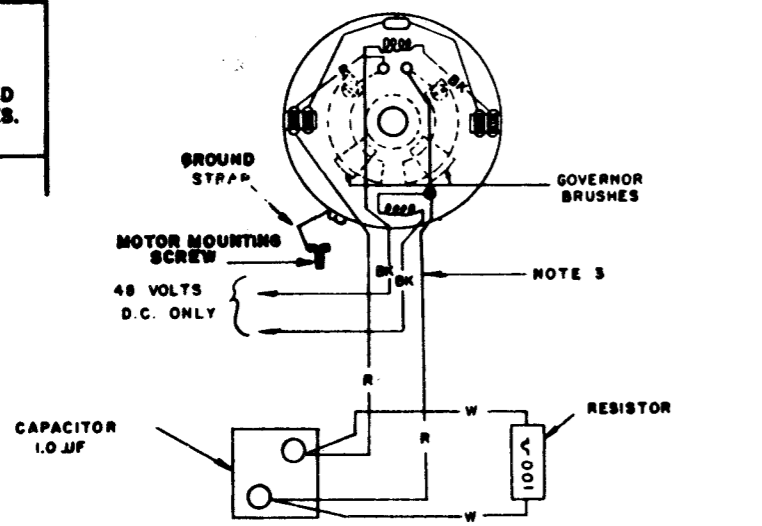


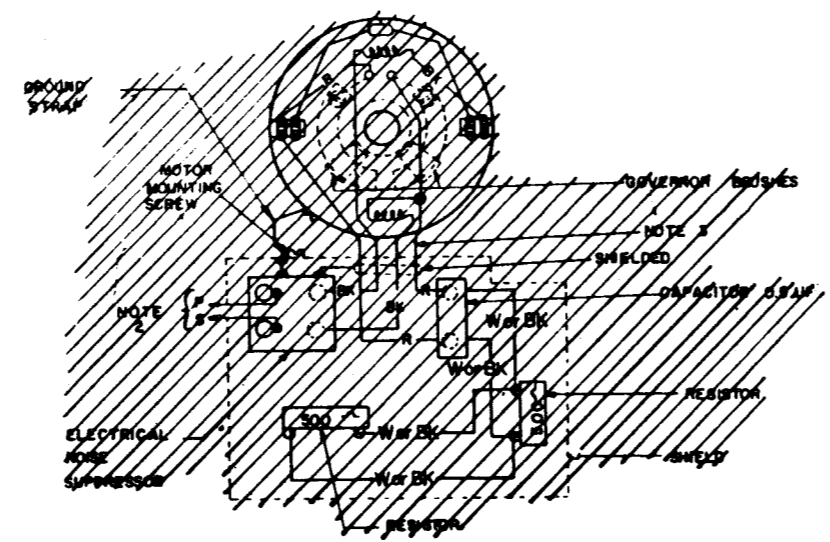
NO.	NOTES
1	A. SYNCHRONOUS MOTOR OPERATES ON REGULATED 60W(±1%) AC ONLY. B. ASSOCIATED LESU MUST BE EQUIPPED WITH CAPACITOR-RESISTOR ASSEMBLY FOR DC OPERATION OF GOVERNED MOTORS.
2.	CONNECT EITHER WIRE TO DESIGNATED TERMINALS OF UNIT TERMINAL BLOCK PER WIRING DIAGRAM OF ASSOCIATED UNIT.
3.	MOTOR LEADS OF SAME COLOR ARE INTERCHANGEABLE.
4.	COLOR CODE FOR MOTORS FURNISHED WITH METAL LEAD MARKERS T1 - BLUE T4 - YELLOW T8 - RED
5.	MOTOR CIRCUIT IS FUSED ON BASE ASSEMBLY.
6.	MOTOR LEADS ARE ENCLOSED IN APPROXIMATELY 10" LONG COPPER SHIELDING & FASTENED TO MOTOR AND CONTROL PARTS COMPARTMENT. (FOR LMU28)
7.	EXTERNAL NOISE SUPPRESSION NETWORK CONSISTING OF 100 OHM 1/2 W. RESISTOR IN SERIES WITH .25 MFD 1K V. CAPACITOR CONNECTED ACROSS YELLOW AND BROWN WIRES. (FOR LMU45)



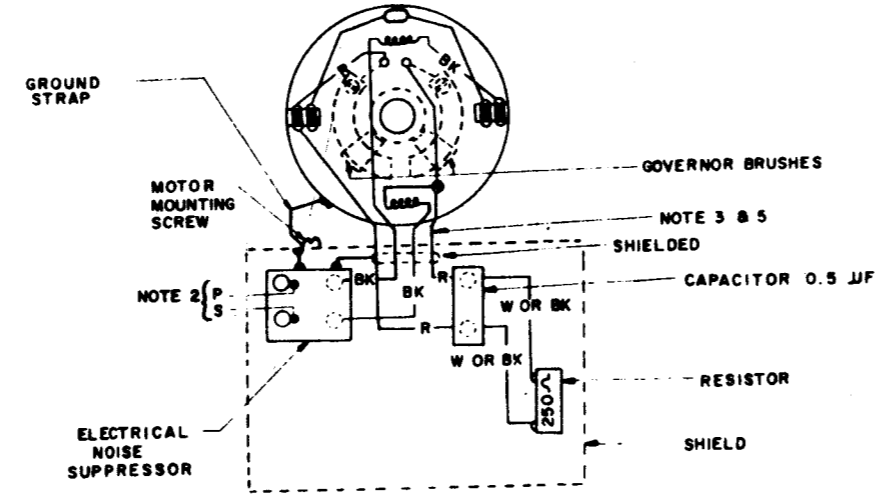
**LMU 6, 13 MOTOR UNIT (UNIVERSAL SERIES GOV.)**  
WITHOUT RADIO FREQUENCY SUPPRESSORS  
FOR USE WITH EITHER 115 V. AC. 50-60~ OR 115 V. DC. POWER SUPPLY (NOTE 1B).



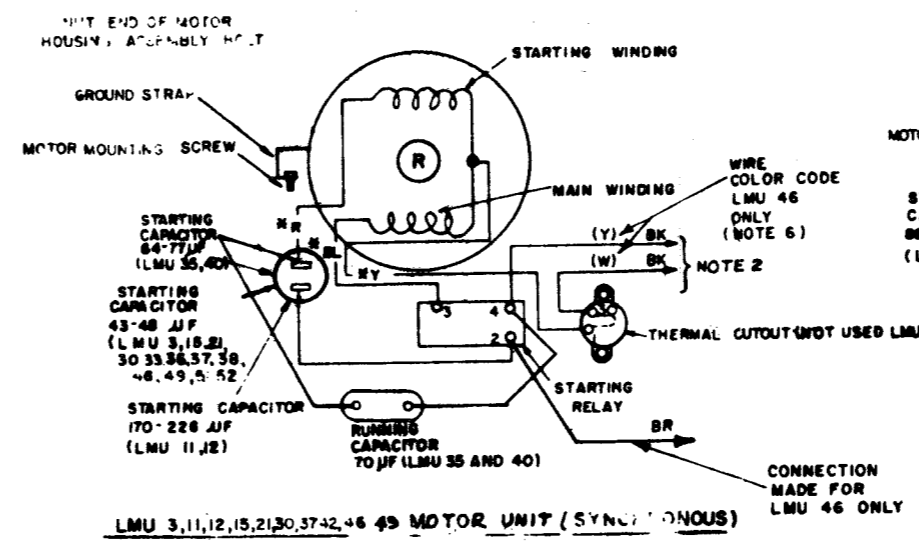
**LMU 23 MOTOR UNIT (48 VOLTS D.C. SERIES GOV.)**  
WITHOUT RADIO FREQUENCY SUPPRESSORS  
FOR USE ON 48 VOLT D.C. POWER SUPPLY ONLY.



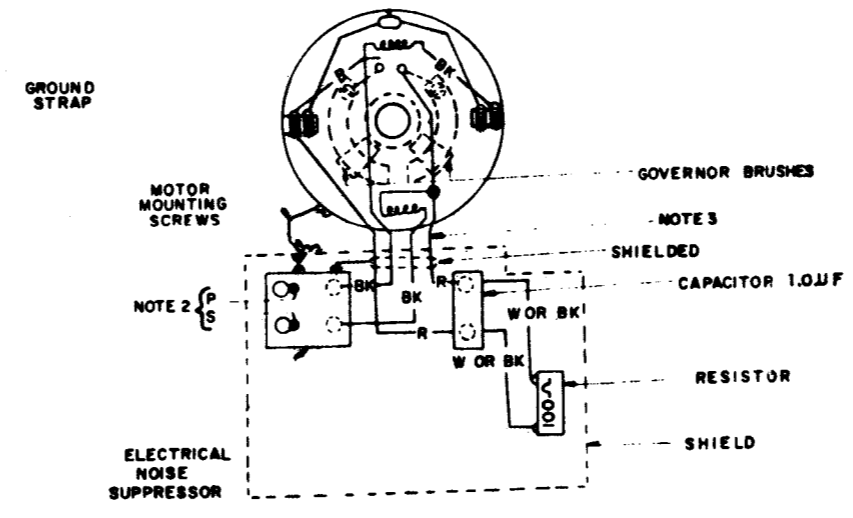
**LMU 8, 10, 14 MOTOR UNIT (UNIVERSAL SERIES GOV.)**  
WITH RADIO FREQUENCY SUPPRESSORS  
FOR USE WITH EITHER 115 V. AC. 50-60~ OR 115 V. DC. POWER SUPPLY (NOTE 1B).



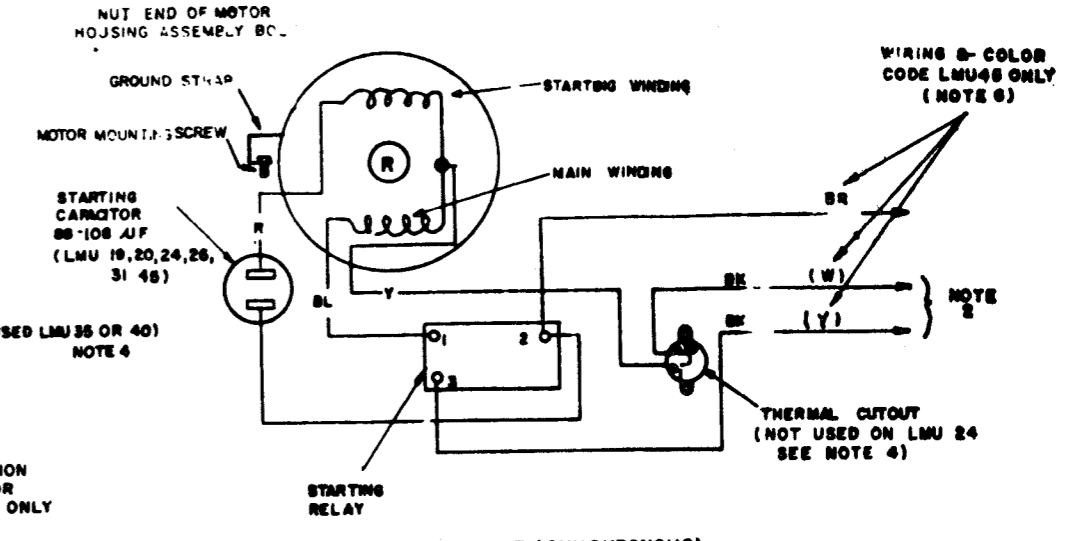
**LMU 28, 32, 39, 41, 47 MOTOR UNIT (UNIVERSAL SERIES GOV.)**  
WITH RADIO FREQUENCY SUPPRESSORS  
FOR USE WITH EITHER 115 V. AC. 50-60~ OR 115 VOLTS D.C. POWER SUPPLY (NOTE 1B).



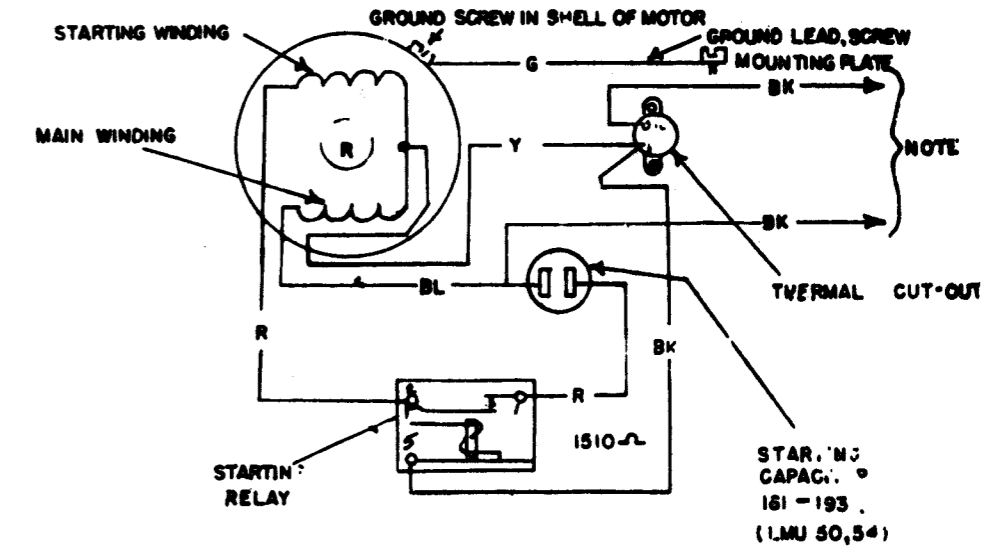
**LMU 3, 11, 12, 15, 21, 30, 37, 42, 46, 49 MOTOR UNIT (SYNCHRONOUS)**  
FOR USE WITH 115 V. AC. 60~ POWER SUPPLY (NOTE 1A).  
LMU 33, 35, 36, 38, 40, 51, 52.  
FOR 115V AC 50~ POWER SUPPLY



**LMU 29 MOTOR UNIT (48 VOLTS D.C. SERIES GOV.)**  
WITH RADIO FREQUENCY SUPPRESSORS  
FOR USE ON 48 VOLT D.C. POWER SUPPLY ONLY



**LMU 19, 20, 24, 25, 31, 45 MOTOR UNIT (SYNCHRONOUS)**  
FOR USE WITH 115 V. AC. 60~ POWER SUPPLY ONLY (NOTE 1A).



**LMU 50, 54 MOTOR UNIT (SYNCHRONOUS)**  
FOR USE WITH 115 V. AC. 50~ REGULATED (±.75%) POWER SUPPLY ONLY.

2900WD		
REV.	DATE	AUTH. NO.
1	1-15-61	7778-1
2	1-17-61	7778-1
3	1-17-61	7778-1
4	1-17-61	7778-1
5	1-17-61	7778-1
6	1-17-61	7778-1
7	1-17-61	7778-1
8	1-17-61	7778-1
9	1-17-61	7778-1
10	1-17-61	7778-1
11	1-17-61	7778-1
12	1-17-61	7778-1
13	1-17-61	7778-1
14	1-17-61	7778-1
15	1-17-61	7778-1
16	1-17-61	7778-1
17	1-17-61	7778-1
18	1-17-61	7778-1
19	1-17-61	7778-1
20	1-17-61	7778-1
21	1-17-61	7778-1
22	1-17-61	7778-1
23	1-17-61	7778-1
24	1-17-61	7778-1
25	1-17-61	7778-1
26	1-17-61	7778-1
27	1-17-61	7778-1
28	1-17-61	7778-1
29	1-17-61	7778-1
30	1-17-61	7778-1
31	1-17-61	7778-1
32	1-17-61	7778-1
33	1-17-61	7778-1
34	1-17-61	7778-1
35	1-17-61	7778-1
36	1-17-61	7778-1
37	1-17-61	7778-1
38	1-17-61	7778-1
39	1-17-61	7778-1
40	1-17-61	7778-1
41	1-17-61	7778-1
42	1-17-61	7778-1
43	1-17-61	7778-1
44	1-17-61	7778-1
45	1-17-61	7778-1
46	1-17-61	7778-1
47	1-17-61	7778-1
48	1-17-61	7778-1
49	1-17-61	7778-1
50	1-17-61	7778-1

ACTUAL WIRING DIAGRAM MODEL 29 MOTOR UNITS

DATE: 1-22-68

WD FILE NO. 130.88.100.8

DRWN. E. R. OWEN

ENGR. S. M. S. APPD.

TELETYPE CORPORATION

2900WD