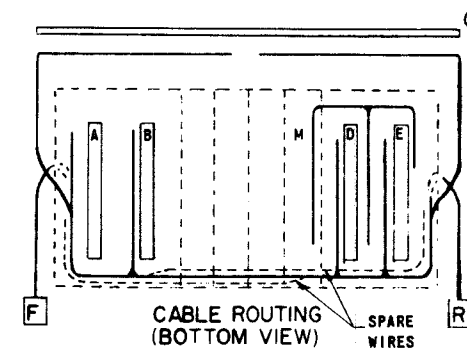
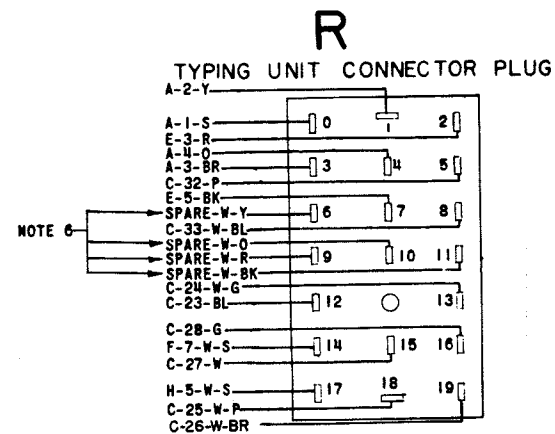
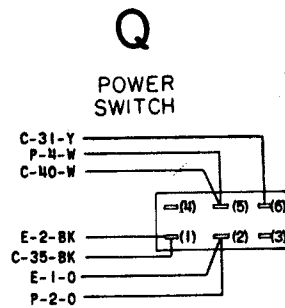
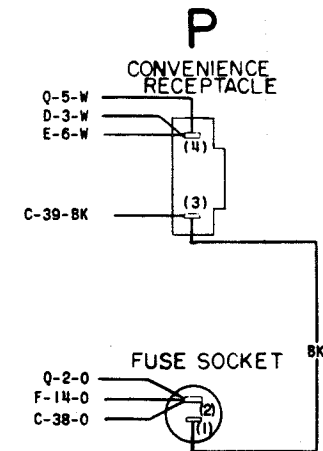
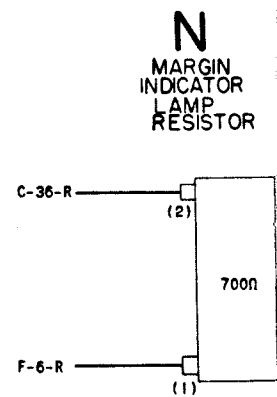
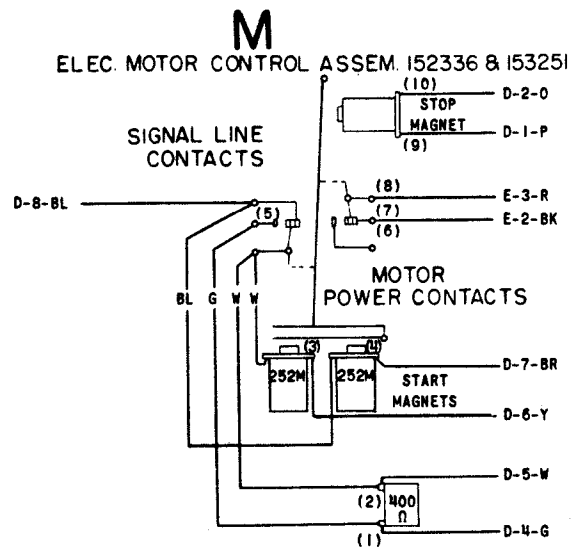


REVISIONS

ISSUE	DATE	AUTH. NO.
A 2	7-8-55	28-5583
B 3	1-26-56	28-6213
C 4	5-8-57	28-7615
D 5	3-28-62	69768-10



SHEET 2 OF 2

ACTUAL WIRING DIAGRAM FOR MODEL 28 ELECTRICAL SERVICE UNIT LESU7/147, 191 WITH ELECTRICAL MOTOR CONTROLS 153251(147) & 152336(191)

APPROVALS

D AND R	E OF M
---	---

E-NUMBER

PROD. NO. 2892WD

DATE 1-24-55

P.D. FILE NO. 1-30.65.156A

DRAWN U.S. ENG. CHKD. R.D.S.

ENGD. B.M.R. APPD.

TELETYPE CORPORATION

2892 WD