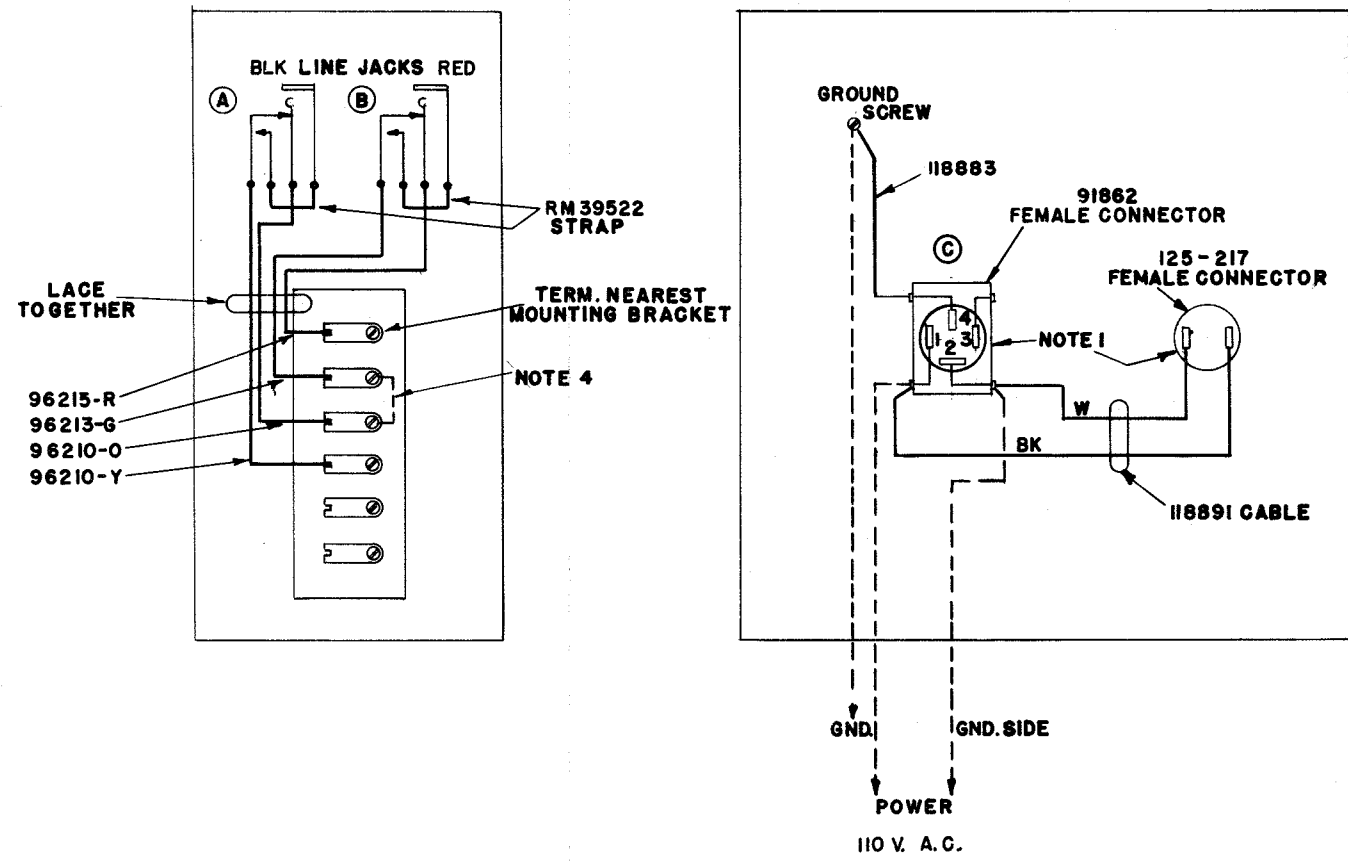
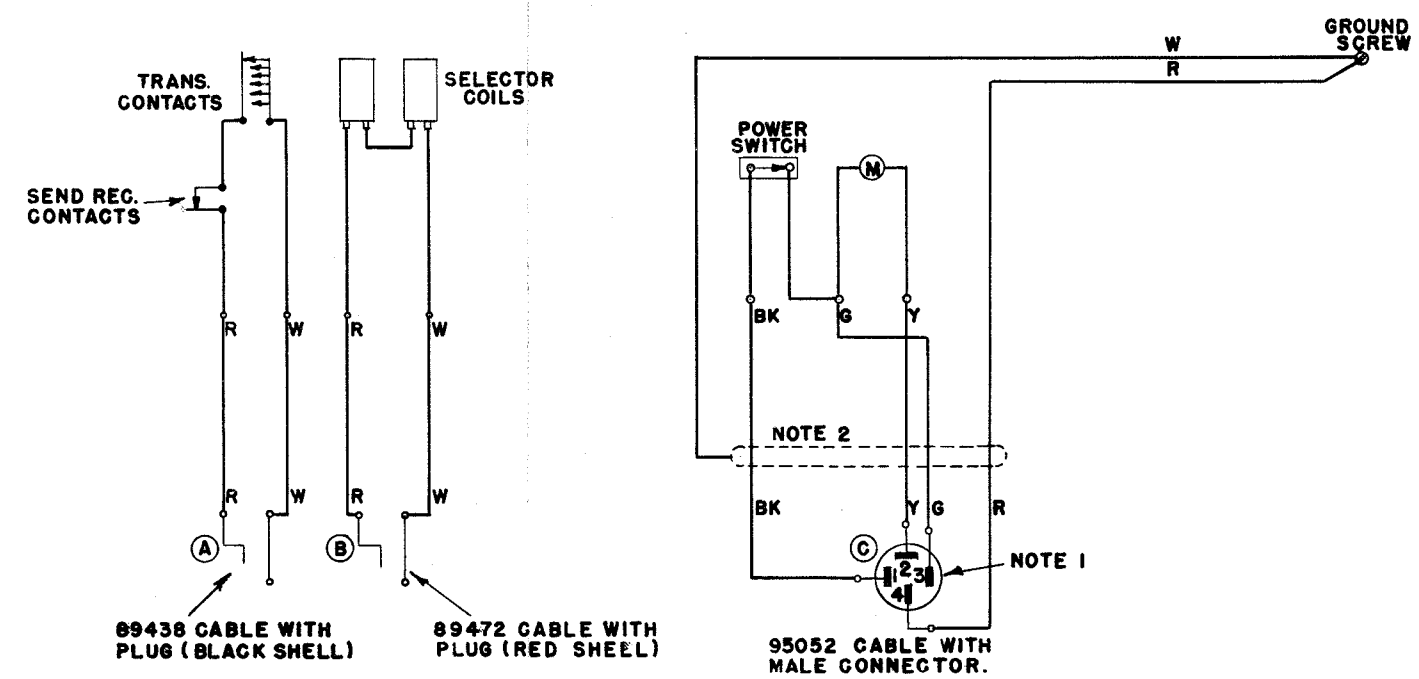


REVISIONS

A	4-28-48	44349
B	7-7-48	44965

NO.	NOTES												
1	MALE CONNECTOR SHOWN FROM PRONG SIDE. FEMALE CONNECTOR SHOWN FROM SLOT SIDE.												
2	CABLE SHIELDING												
3	WIRE COLOR CODE. SOLID COLOR OR TRACER IN WHITE WIRE. <table border="0"> <tr> <td>Y</td> <td>YELLOW</td> <td>O</td> <td>ORANGE</td> </tr> <tr> <td>G</td> <td>GREEN</td> <td>R</td> <td>RED</td> </tr> <tr> <td>W</td> <td>WHITE</td> <td>BK</td> <td>BLACK</td> </tr> </table>	Y	YELLOW	O	ORANGE	G	GREEN	R	RED	W	WHITE	BK	BLACK
Y	YELLOW	O	ORANGE										
G	GREEN	R	RED										
W	WHITE	BK	BLACK										
4	FOR CONNECTING SEND-REG. JACKS IN SERIES, STRAP TERMINALS AS SHOWN.												

MODEL 15 PRINTER (WD 2495)



WD2500-B
3-19-48

WIRING DIAGRAM
FOR
AC203 APPARATUS
CABINET

DRAWN L. A. APPROVED
ENG'R D. R. R. S. *F. R. S.*
CHECKED *Aw*
FILE 34-55AAA

TELETYPE
CORPORATION