

REVISIONS	
A	10-27-47 38-447
(B)	12-29-47 43557

- NOTES**
- WIRE PER FIG. 1 WHEN USED WITH SECO PRIMARY AND SINGLE CIRCUIT SECONDARY CONTROL UNITS WITH OUTSIDE D. C. SUPPLY.
WIRE PER FIG. 1 AND DOTTED LINES IN FIG. 2 WHEN USED WITH TWO CIRCUIT SECONDARY CONTROL UNIT WITH OUTSIDE D. C. SUPPLY.
WIRE PER SOLID LINES IN FIG. 2 WHEN USED WITH SECO PRIMARY AND SINGLE CIRCUIT SECONDARY CONTROL UNITS WITH RECTIFIER IN CABINET.
WIRE PER SOLID AND DOTTED LINES IN FIG. 2 WHEN USED WITH SECO TWO CIRCUIT SECONDARY CONTROL UNIT WITH RECTIFIER IN CABINET.
 - WIRE COLOR CODE: (COLOR MAY BE SOLID OR TRACER IN WHITE WIRE)

Y YELLOW	Y-R YELLOW-RED	G-W GREEN-WHITE	R RED
G GREEN	Y-G YELLOW-GREEN	BK-O BLACK-ORANGE	BK BLACK
BR BROWN	Y-BL YELLOW-BLUE	BK-G BLACK-GREEN	BL BLUE
W WHITE	R-G RED-GREEN	BK-W BLACK-WHITE	P PURPLE (RED & BLUE TRACER)
O ORANGE	R-W RED-WHITE	BL-O BLUE-ORANGE	
S SLATE	G-O GREEN-ORANGE	BL-G BLUE-GREEN	
BR-W BROWN WHITE		BL-W BLUE-WHITE	
 - PLUGS AND RECEPTAGLES VIEWED FROM PRONG & SLOT SIDE EXCEPT AS INDICATED IN NOTE 4.
 - INSIDE VIEW OF ASSEMBLY. SIDES A AND A, B AND B, C AND C, AND D AND D ARE TOUCHING WHEN ASSEMBLY IS CLOSED. PLUGS AND RECEPTAGLES VIEWED FROM SOLDER TERMINAL SIDE.
 - SEE WD 2514 FOR SECO APPARATUS INTERCONNECTING FACILITIES.

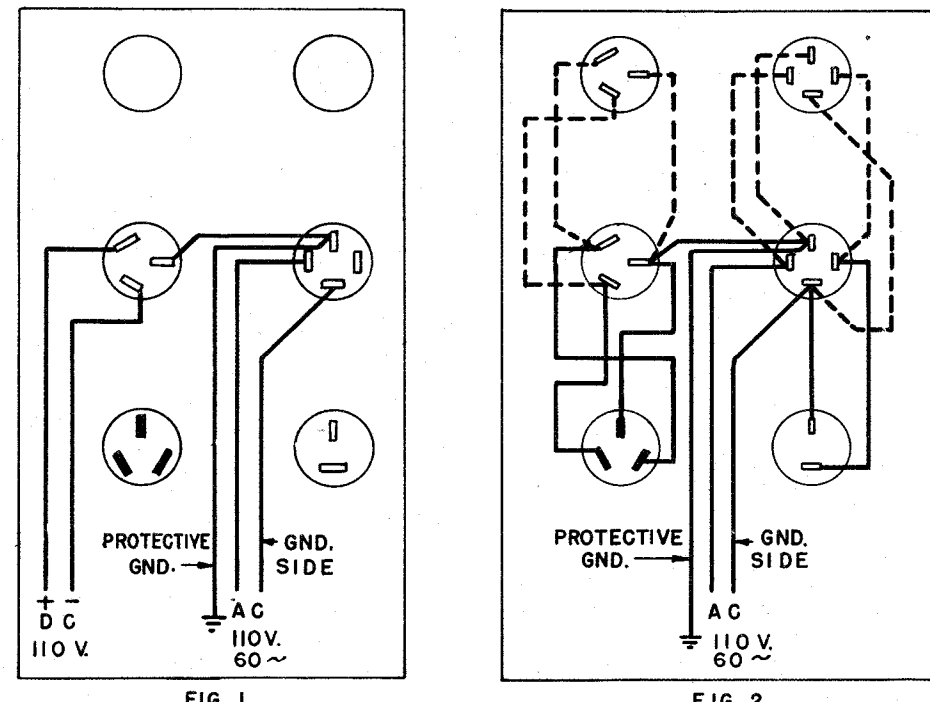
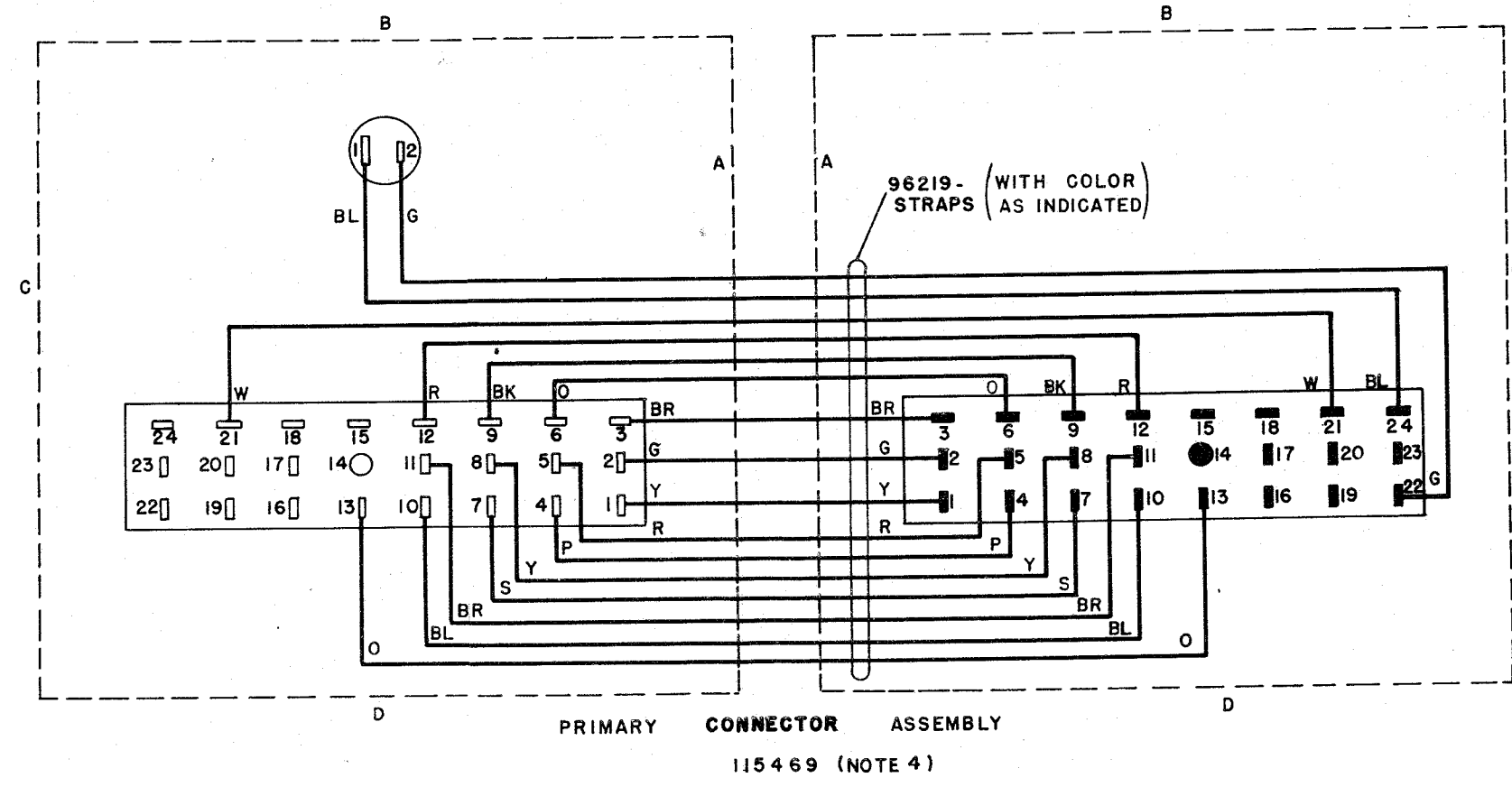
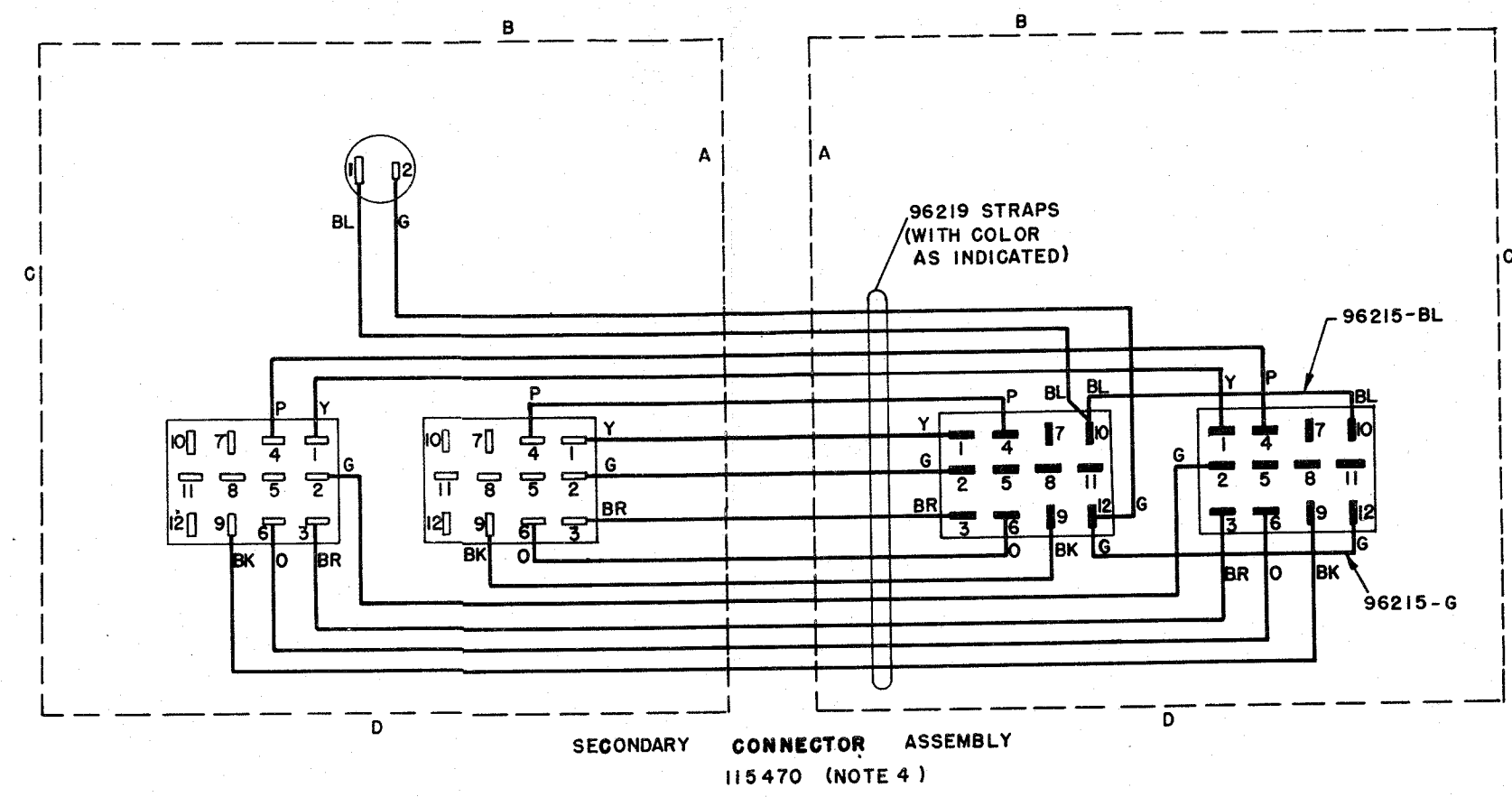
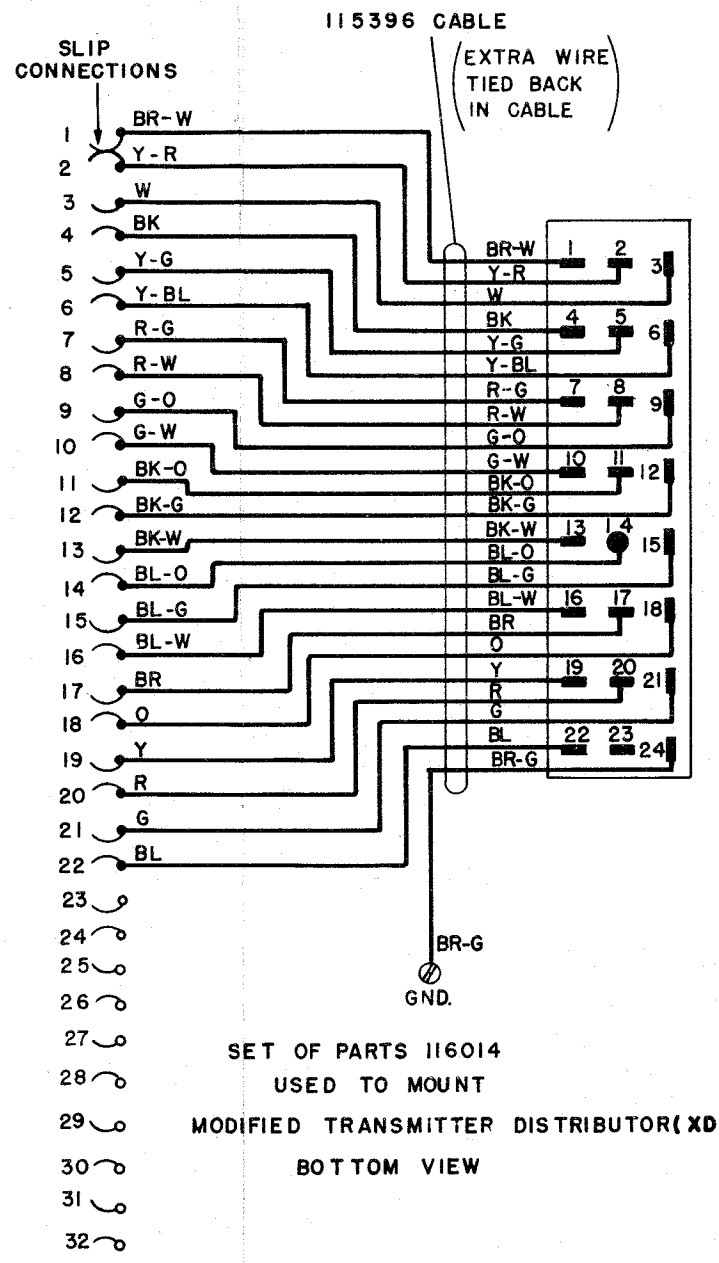


FIG. 1
CABINET RECEPTACLE WIRING (BY CUSTOMER)
(NOTE 1)



NOTE 5

WD-2464-B
9-9-47

WIRING DIAGRAM

SET OF PARTS AND CABINETS USED WITH THE SECO SYSTEM

DRAWN: G.A.R. APPROVED: [Signature]
ENGRD: [Signature]
FILE: 2-A97AA

TELETYPE CORPORATION