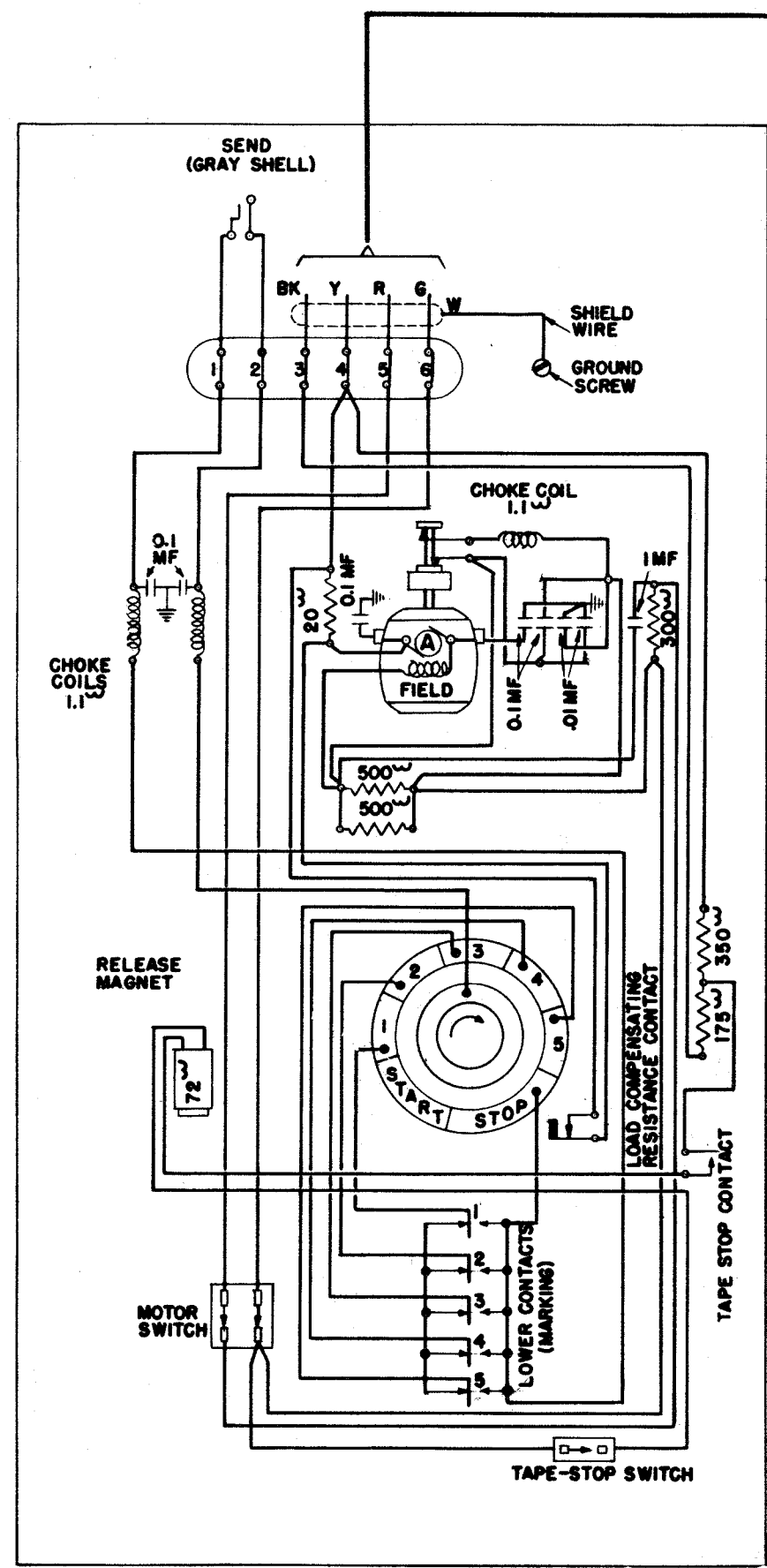
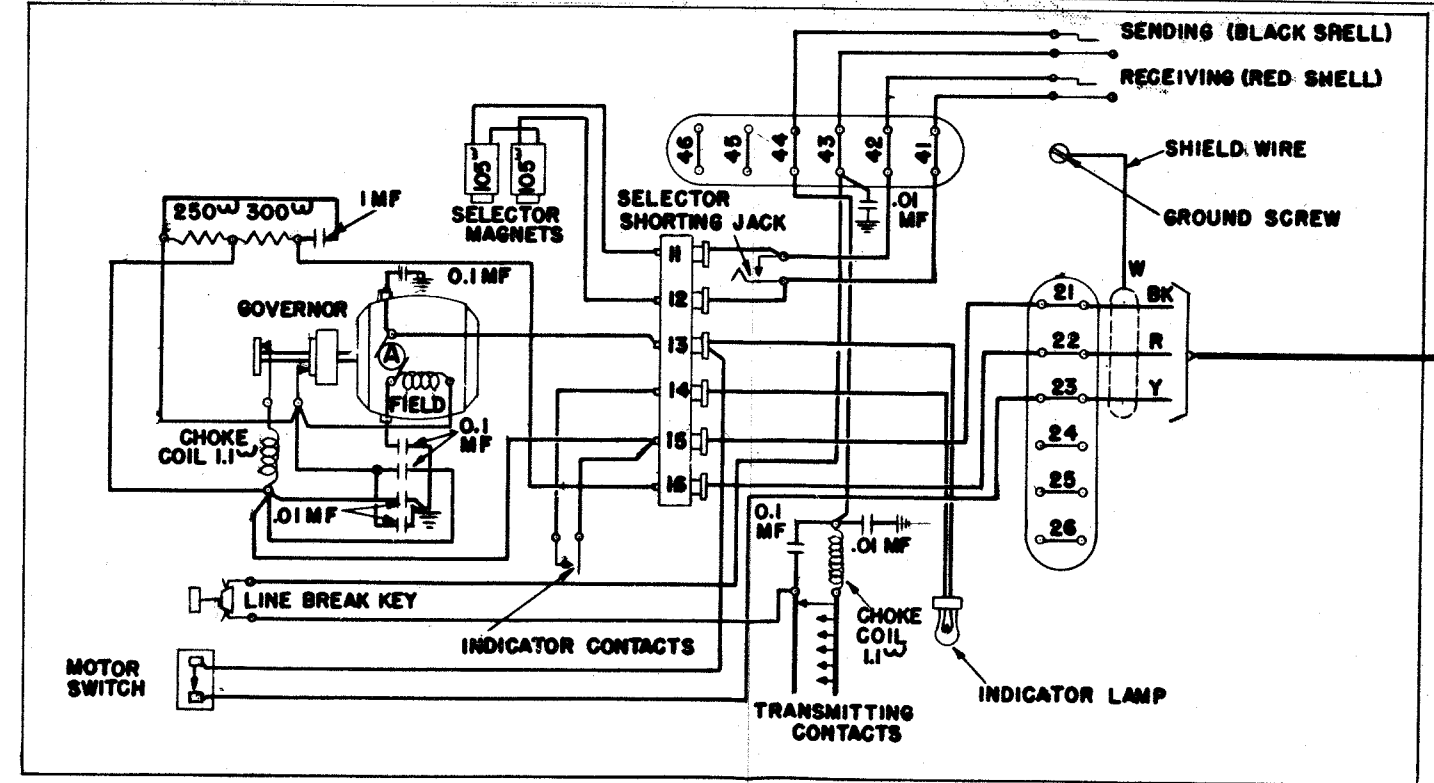
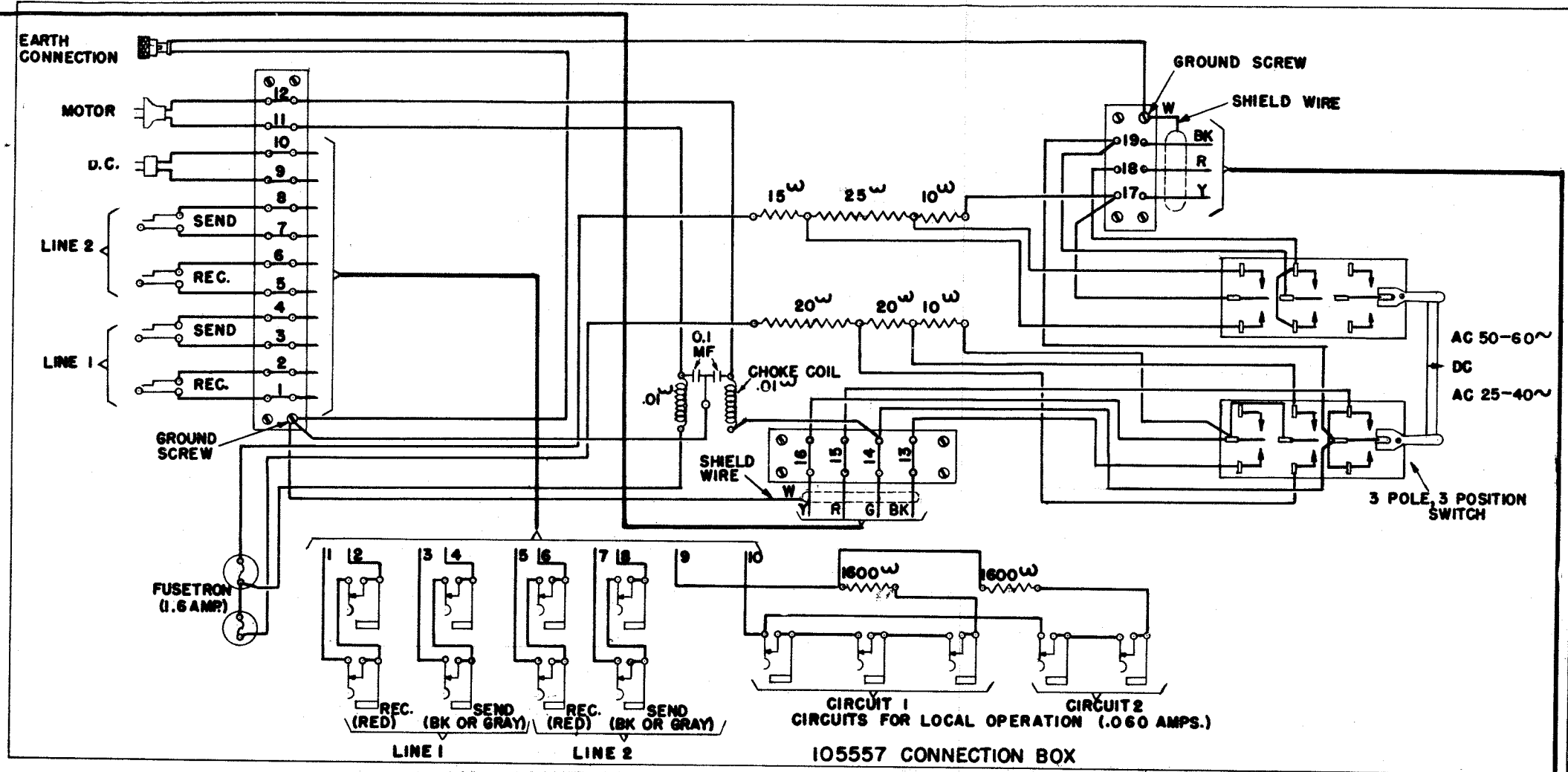


REVISIONS:



TRANSMITTER DISTRIBUTOR



SENDING-RECEIVING TYPING REPERFORATOR

WD 2282-A
12-29-43
WIRING DIAGRAM
SCHEMATIC
U.S. ARMY SIGNAL CORPS.
REPERFORATOR
TRANSMITTER SETS
TG-26-A
TG-27-A
DRAWN BY: R. P. APPROVED: K.A.S. *F. A. B.*
TELETYPE CORPORATION