

NOTE NO	NOTE
1.	ASSOCIATED CABLES: _____ 106211 CABLE (COMP) - - - - - 106210 CABLE (COMP) - - - - - 106212 CABLE (COMP)
2.	COLOR CODE BK BLACK G GREEN W WHITE BL BLUE O ORANGE Y YELLOW BR BROWN R RED
3.	STRAP RM 39522; COVER WITH RM 60019 TUBING.

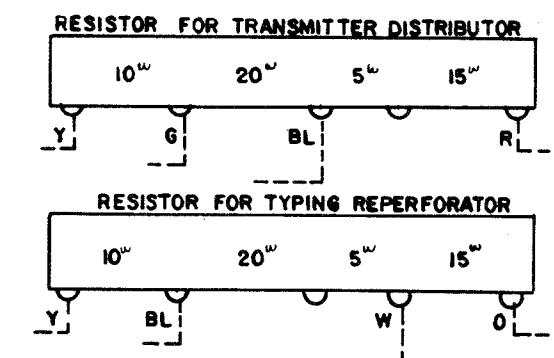
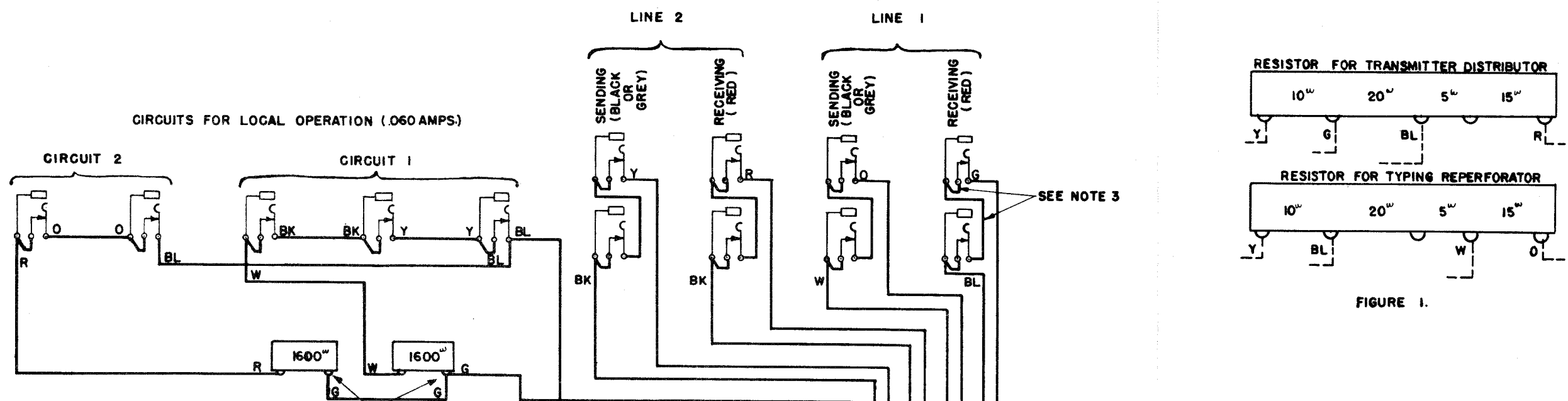
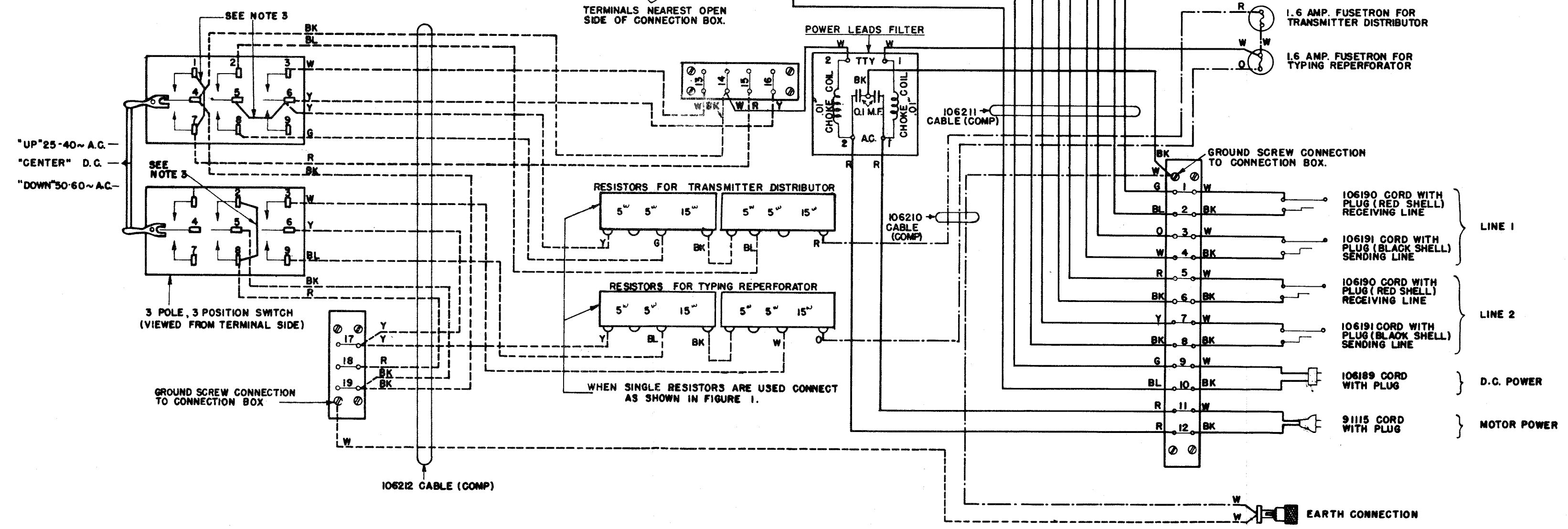


FIGURE 1.



10557 CONNECTION BOX VIEWED FROM OPEN SIDE

WD-2197-B
12-15-43

WIRING DIAGRAM
10557
CONNECTION BOX

DRAWN V.R.E. APPROVED
ENG'R'D K.A.S. *F.A.S.*

TELETYPE CORPORATION