

15 PERFORATOR  
WIRING DIAGRAM

1. GENERAL

1.01 This section shows the circuit diagram for the 15 perforator.

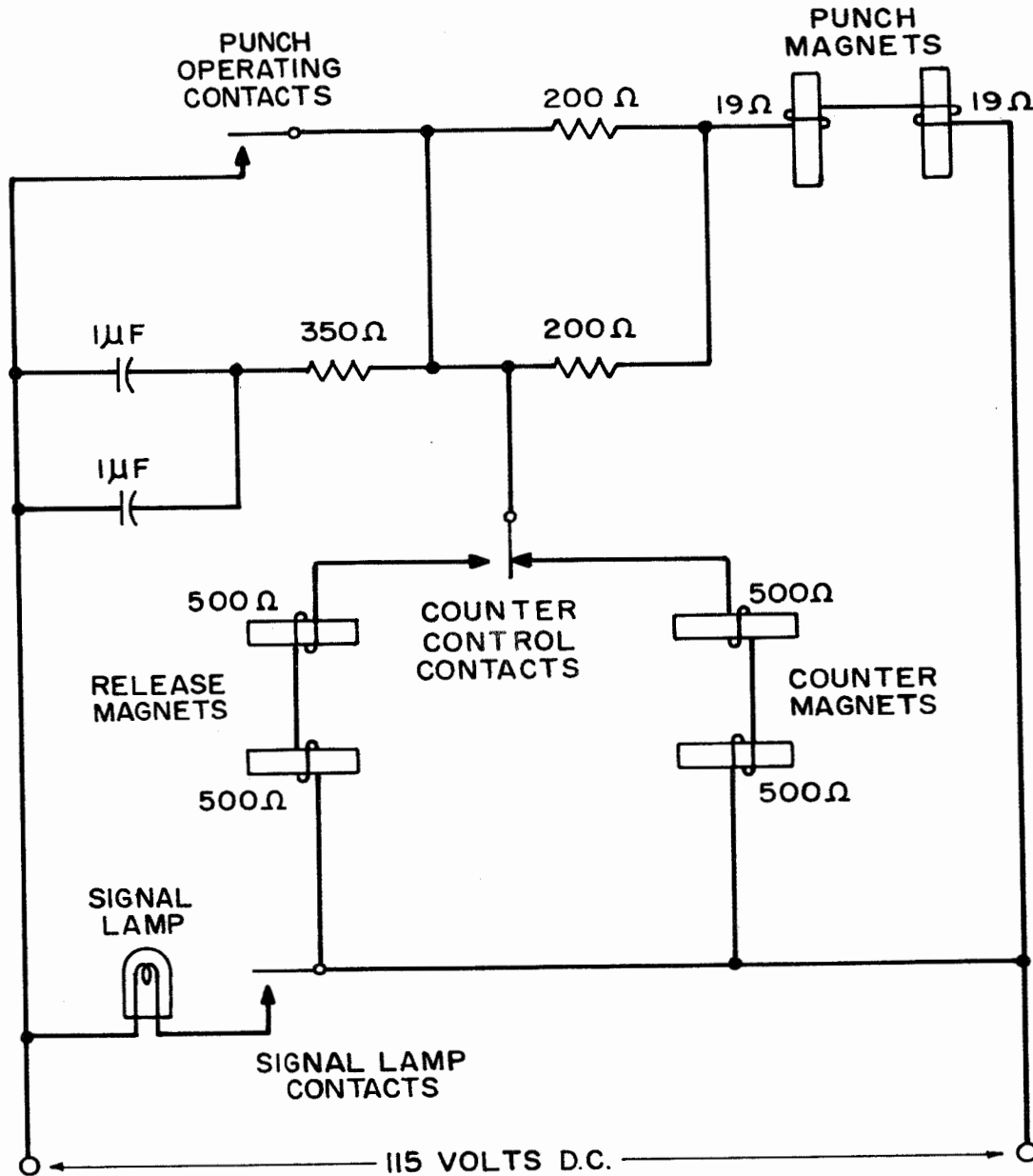


Figure 1 - 15M Perforator