

INSTALLATION OF TP92229 FILTER UNIT
FOR LINE RELAY OF 14 OR 20 REPERFORATOR

1. GENERAL

1.01 This section furnishes information for the installation of the TP92229 filter unit on the line relay of either the 14 or the 20 reperforator. The function of this filter is to suppress radio frequency induction from the line relay contacts.

1.02 This section is reissued to bring the codes for filter parts up to date.

1.03 The TP92229 filter unit consists of the following parts:

- 1 TP111664 Filter Assembly.
- 2 TP6810 Screws.
- 2 TP2669 Lockwashers.
- 1 TP74614 Resistor (600-2000 ohms).

2. INSTALLATION

2.01 To install the filter unit proceed as follows:

- (1) Remove the cover from the reperforator and remove the line relay.
- (2) Remove the two TP6745 screws and TP2669 lockwashers which mount the TP74719 relay base.
- (3) Rotate the relay base and parts attached to it forward to make the rear of the base more accessible.
- (4) Mount the filter assembly on the TP74719 relay base immediately above the TP6827 connecting block using the two TP6810 screws and two TP2669 lockwashers furnished with the filter.

2.02 Refer to Figure 1 and connect the filter unit as follows:

- (1) Disconnect the two red wires, the white wire and the blue wire from the TP75436 resistor (1000 - 2000 ohms) and remove and discard the resistor.
- (2) Mount the TP74614 resistor (600 - 2000 ohms) furnished with the filter in the place of the resistor just removed, using the screw, lockwasher, and washers previously removed.

The 600-ohm end of the resistor should be toward the relay base.

- (3) Connect the wires removed from the old resistor to the corresponding terminals of the new resistor.
 - (4) Disconnect the orange wire from terminal 5 of the relay connecting block and the brown wire from terminal 4 of the relay connecting block.
 - (5) Connect the black lead joining the left-hand terminals of the upper capacitors to terminal 1 of the relay connecting block.
 - (6) Connect the black lead from the right-hand terminal of the lower capacitor to terminal 3 of the relay connecting block.
 - (7) Connect the yellow cambric-covered lead from the lower terminal of the left-hand resistor of the filter unit to terminal 5 of the relay connecting block.
 - (8) Connect the yellow cambric-covered wire from the lower terminal of the right-hand resistor of the filter unit to terminal 4 of the relay connecting block.
 - (9) Splice the orange wire from the upper terminal of the left-hand filter resistor to the orange wire previously removed from terminal 5 of the relay connecting block.
 - (10) Splice the brown wire from the upper terminal of the right-hand resistor of the filter unit to the brown wire previously removed from terminal 4 of the relay connecting block.
 - (11) Check the connections of the filter unit to see that they are in accordance with Figure 1.
- 2.03 Remount the TP74719 relay base using the screws and lockwashers previously removed.
- 2.04 Dress the wiring so that the filter leads are separated from adjacent wiring by at least 1/4 inch.
- 2.05 Replace the relay and the reperforator cover.

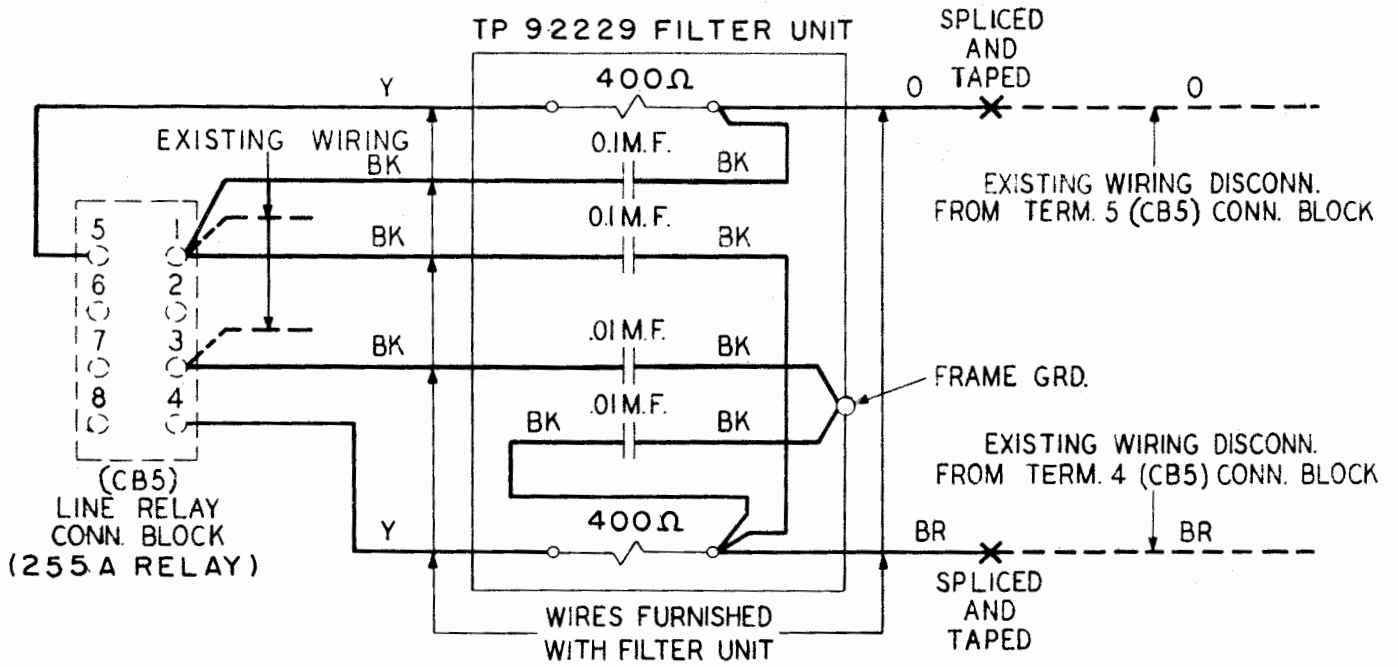


Figure 1