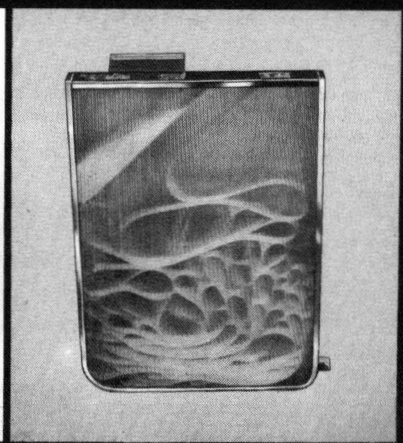
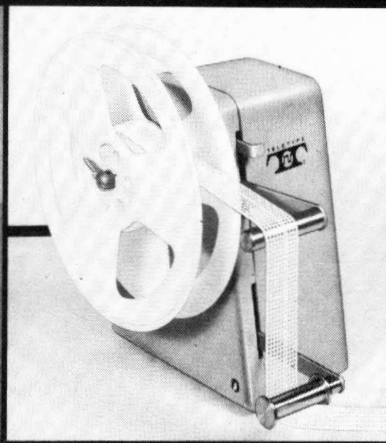
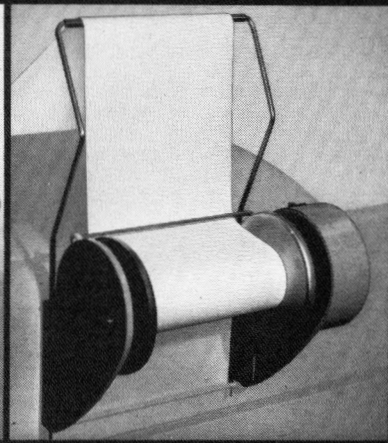
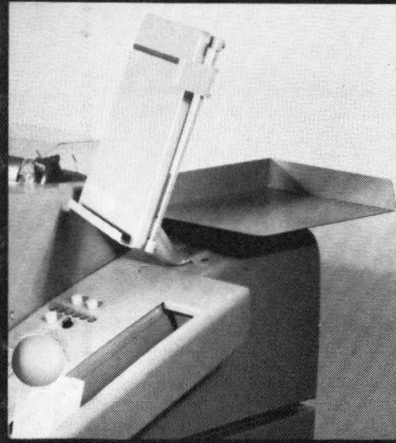


TELETYPE[®]

**PAPER AND
TAPE
HANDLING
ACCESSORIES
CATALOG**
JANUARY, 1970 EDITION



TELETYPE

[®]

	page
Introduction	2
Paper and Tape Handling Configurations	
Model 37	3
Model 35	4, 5
Model 28	6, 7
Model 32 and 33.....	8
Telespeed* floor model terminal.....	9
Telespeed table model terminal.....	10
Winder and Unwinder Descriptions.....	11, 12, 13
Reels and Adapters.....	14
Splicers	15

*A trademark of Teletype Corporation

introduction



The paper and tape handling accessories described in this catalog may be employed in many different configurations to organize and simplify media handling on your Teletype® data communications terminals. The proper combination of winders, unwinders, guides, and copy holders can greatly increase operator efficiency, and decrease the chances of lost or damaged data.

To simplify selection of the accessories required for your application, a number of typical paper and tape handling configurations are shown on pages 3 through 10. For winders and unwinders these pages will refer you to more detailed descriptive information on pages 11 through 13. Ordering information for spare reels, adapters, and tape splicers, and a table of available paint finishes are found on pages 14 and 15.

In cases where your tape must be moved from a winder to an unwinder, be sure that the "core" or hole diameter of the tape roll removed from the winder will fit on the unwinder.

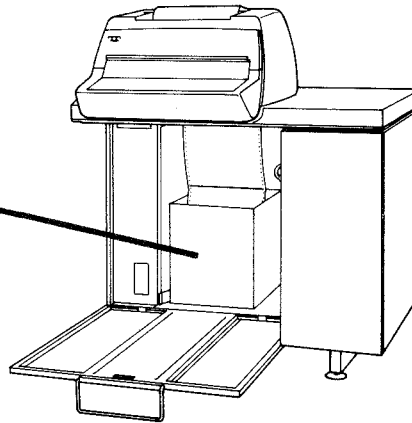
model

37

paper and tape handling

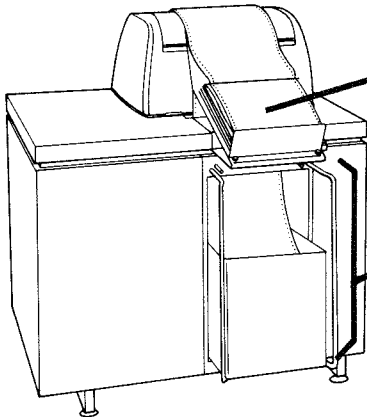
326916 Front Form Supplier

Holds box of fanfolded forms, and guides forms up to printer. Handles forms 5½ to 11 inches in length; 3¾ to 9½ inches in width.



330697GF Form Accumulator

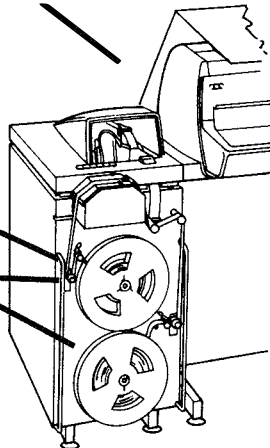
Accumulates forms leaving printer. Handles forms 5½ to 11 inches in length; 3¾ to 9½ inches in width. Adds 6 inches to terminal depth.



328284GF Rear Form Supplier

Holds box of fanfolded forms, and guides forms up to printer. Handles forms 5½ to 11 inches in length; 3¾ to 9½ inches in width. Adds 6 inches to terminal depth.

YPW800 Paper Winder (described on page 13)



326955GF Door with Tape Winder (top reel only)

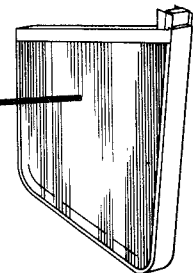
or

326960GF Door with Tape Winder and Tape Winder-Unwinder (as shown)

Each reel winds up to 1000 feet of 1 inch paper tape. Automatic—winds when tape is slack, stops when taut, vice versa for unwinding. 115 vac 60 Hz.

326970 Tape Bin

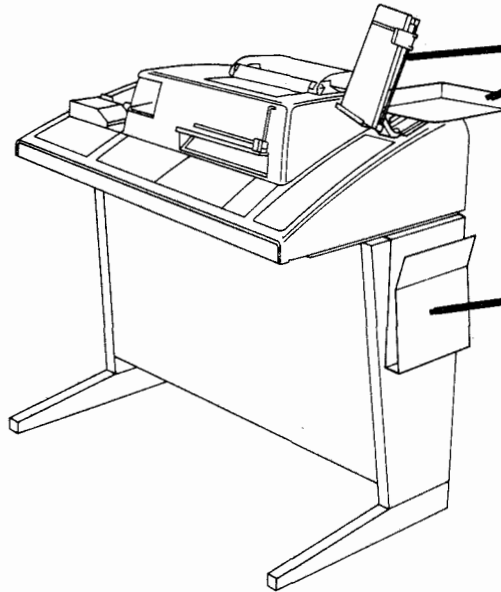
Provides a place for tape to collect between the time it's punched and the time it's read. Fits inside terminal (behind tape module door). Handles up to 50 feet of 1 inch tape.



model 35



paper handling



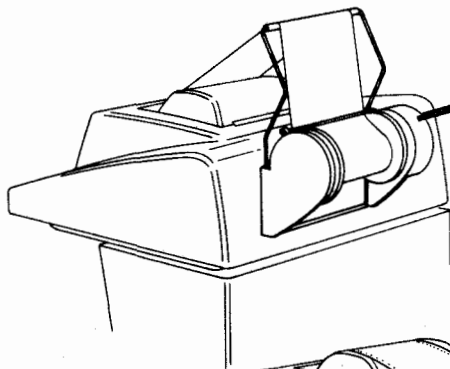
307228 Offset Copyholder and Letter Tray**

Provides typist's easel, letter tray, and purse hook. Adds 2 inches to depth, 5 inches to width, and 8½ inches to height of the set.

194822 Directory Holder
(normally mounted on left side)
Adds 2 inches to width of set.

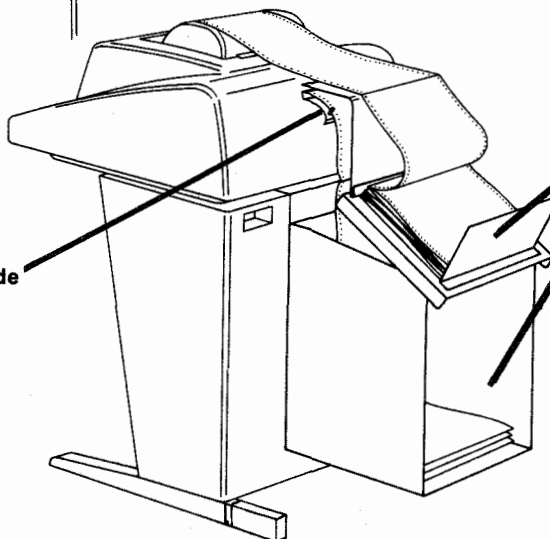
151799 Paper Roll Latch
(not shown)
Secures spindle, prevents paper roll from being dumped out of holder if set is tipped.

152340 Multicopy Roll Paper Adaptor
(not shown)
Adapts 8½ inch platen set to use multicopy roll paper.



LPW300 Paper Winder**
(described on page 13)

178387 Electrostatic Charge Eliminator
(not shown)
Removes charge to prevent paper from clinging to set.



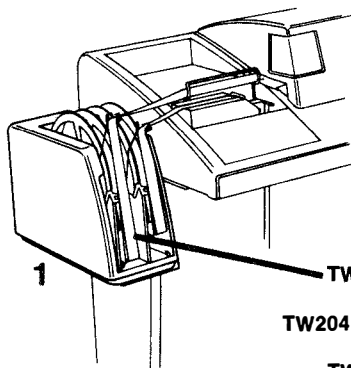
153926 Form Guide

192260 Form Supply and Accumulator**
Holds fanfold forms going into set, and accumulates forms coming out of set. Forms can be 3¾ to 11 inches long and 3¾ to 9 inches wide. Includes pedestal foot rear extension to prevent set tipping from weight of forms. Adds 16½ inches to depth of set.

model

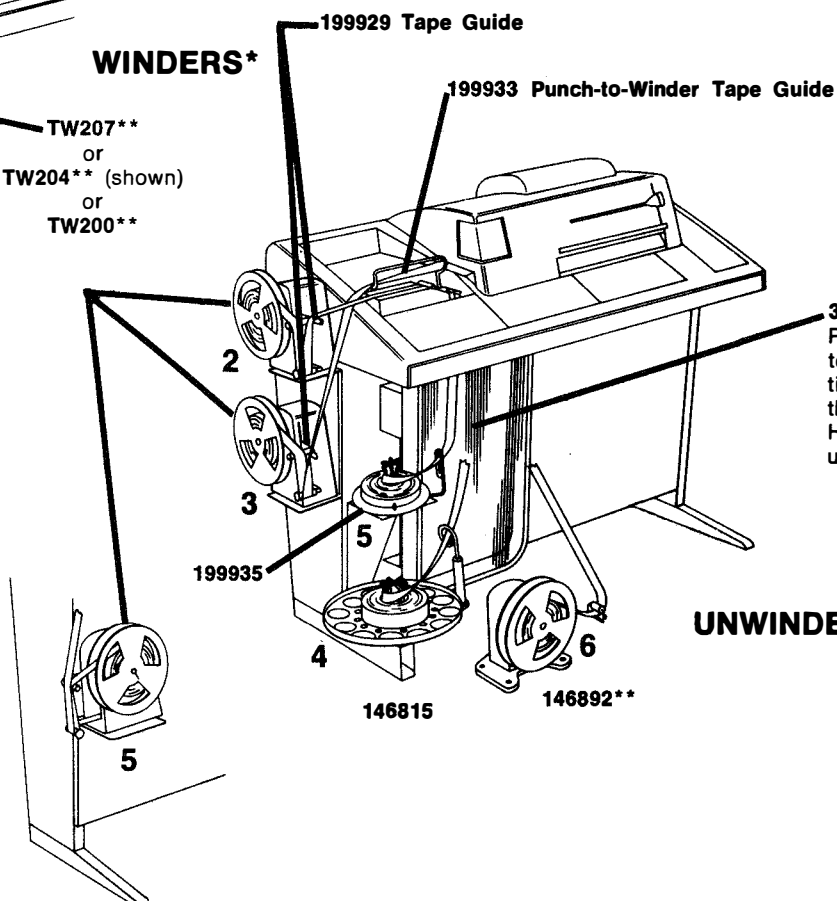
35

tape handling



WINDERS*

TW207**
or
TW204** (shown)
or
TW200**

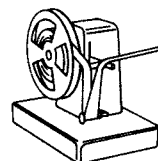


323424 Tape Bin**
Provides place for tape to collect between the time it's punched and the time it's read. Handles up to 50 feet of up to 1 inch tape.

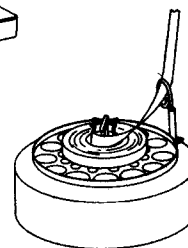
UNWINDERS*

notes:

- 1 Order 320278** Shelf.
- 2 Order 199924 Top Shelf (shown on set) or 321585** Top Shelf (shown via Inset A).
- 3 Order 199918 Double Shelf (shown on set; provides top and bottom shelf) or 321586** Double Shelf (same except top shelf appears as shown via Inset A).
- 4 Order 199938 Shelf (shown on set) or 321584** Shelf (shown via Inset B).
- 5 Order 199934 Shelf (shown on set).
- 6 This unwinder sits on the floor.



Inset A



Inset B

*Winders and unwinders are described on page 11.

**A two letter paint color-finish suffix must be specified, see page 15.

model 28

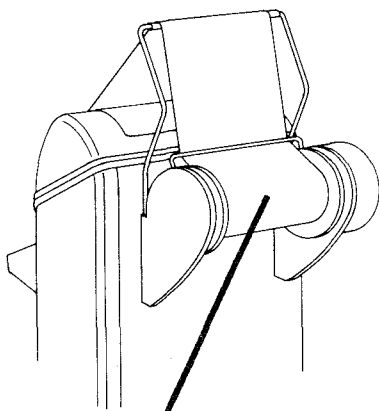


paper handling

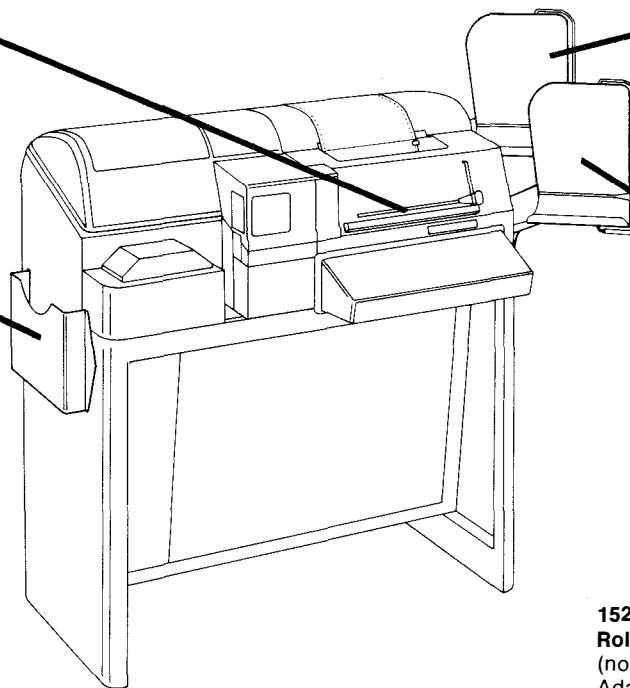
153046 Copyholder
Serves as typist's easel.

179601 Directory Holder**
For floor model sets.
152300 Directory Holder**
(not shown)
For table model sets.
Both add 2 inches to width of set.

151799 Paper Roll Latch
(not shown)
Secures spindle, prevents paper roll from being dumped out of holder if set is tipped.



LPW300 Paper Winder**
(described on page 13)



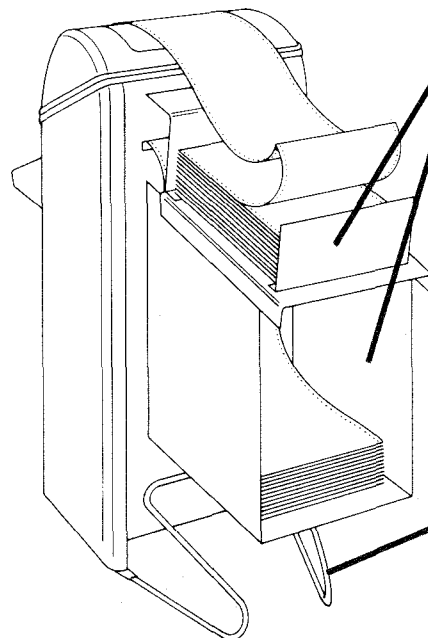
178897 Offset Copyholder**
Rear mounted. Serves as typist's easel. For floor or table model sets. Adds 12 inches to width and 8 inches to height of set.

164024 Offset Copyholder**
Front mounted. Serves as typist's easel. For floor model set (shown).

173400 Offset Copyholder**
For table model set. Both add 12 inches to width and 5 inches to height of set.

152340 Multicopy Roll Paper Adaptor
(not shown)
Adapts 8½ inch platen set to use multicopy roll paper.

178387 Electrostatic Charge Eliminator
(not shown)
Removes charge to prevent paper from clinging to set.



195837 Form Supply and Accumulator**
Holds fanfold forms going into set, and accumulates forms coming out of set. Handles forms 3½ to 11 inches long, 8½ or 9 inches wide. Adds 14 inches to depth of set.

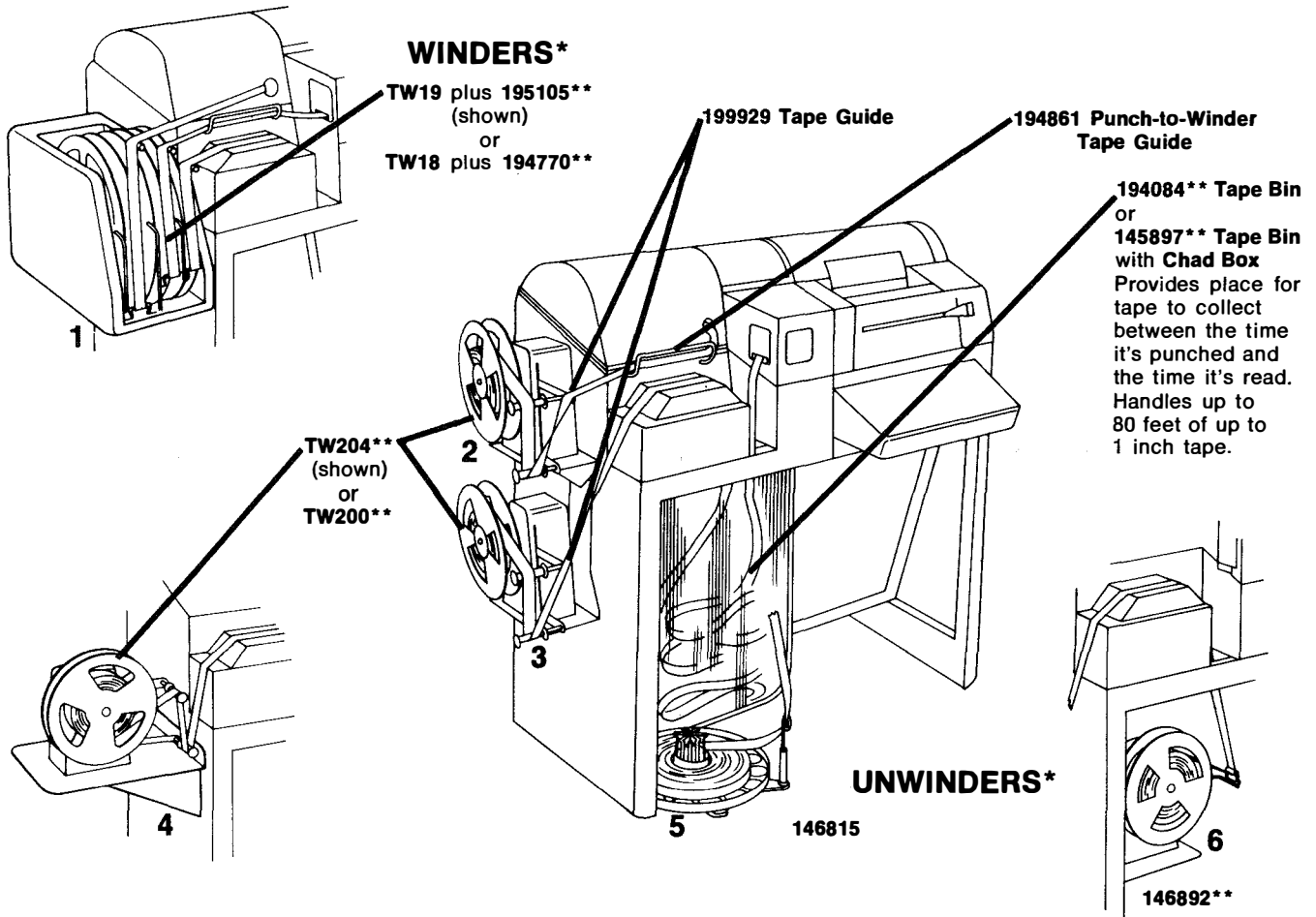
179393 Adjustable Guide**
(not shown)
Supports forms in supply portion of 195837**. Adjustable for forms 3½ to 9 inches wide.

197941 Support
Prevents set tipping from weight of forms.

model

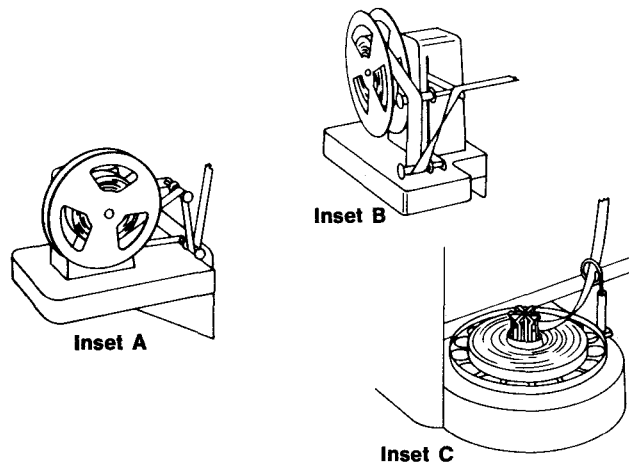
28

tape handling



notes:

- 1 Order 195106 Shelf for TW19 plus 195105**. Order 194856 Shelf for TW18 plus 194770**.
- 2 Order 195104** Top Shelf (shown on set) or 321582** Top Shelf (shown via Inset B).
- 3 Order 195107** Bottom Shelf (shown on set).
- 4 Order 194857** Shelf (shown on set) or 321583** Shelf (shown via Inset A).
- 5 Order 321581 Shelf (shown via Inset C) or set this unwiner on the floor (as shown).
- 6 Order 194859** Shelf (shown).



*Winders and unwinders are described on page 11.

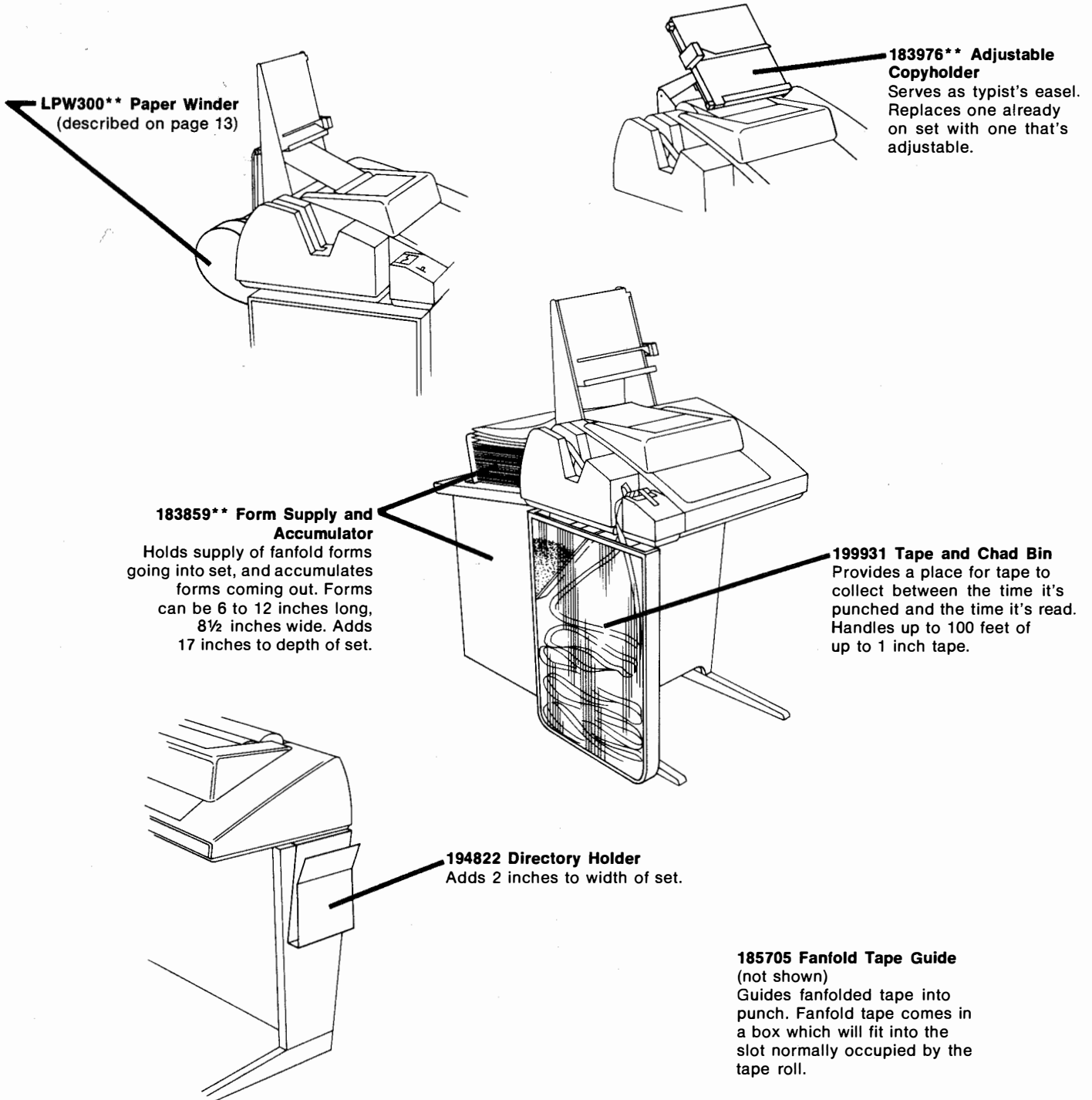
**A two letter paint color-finish suffix must be specified, see page 15.

model

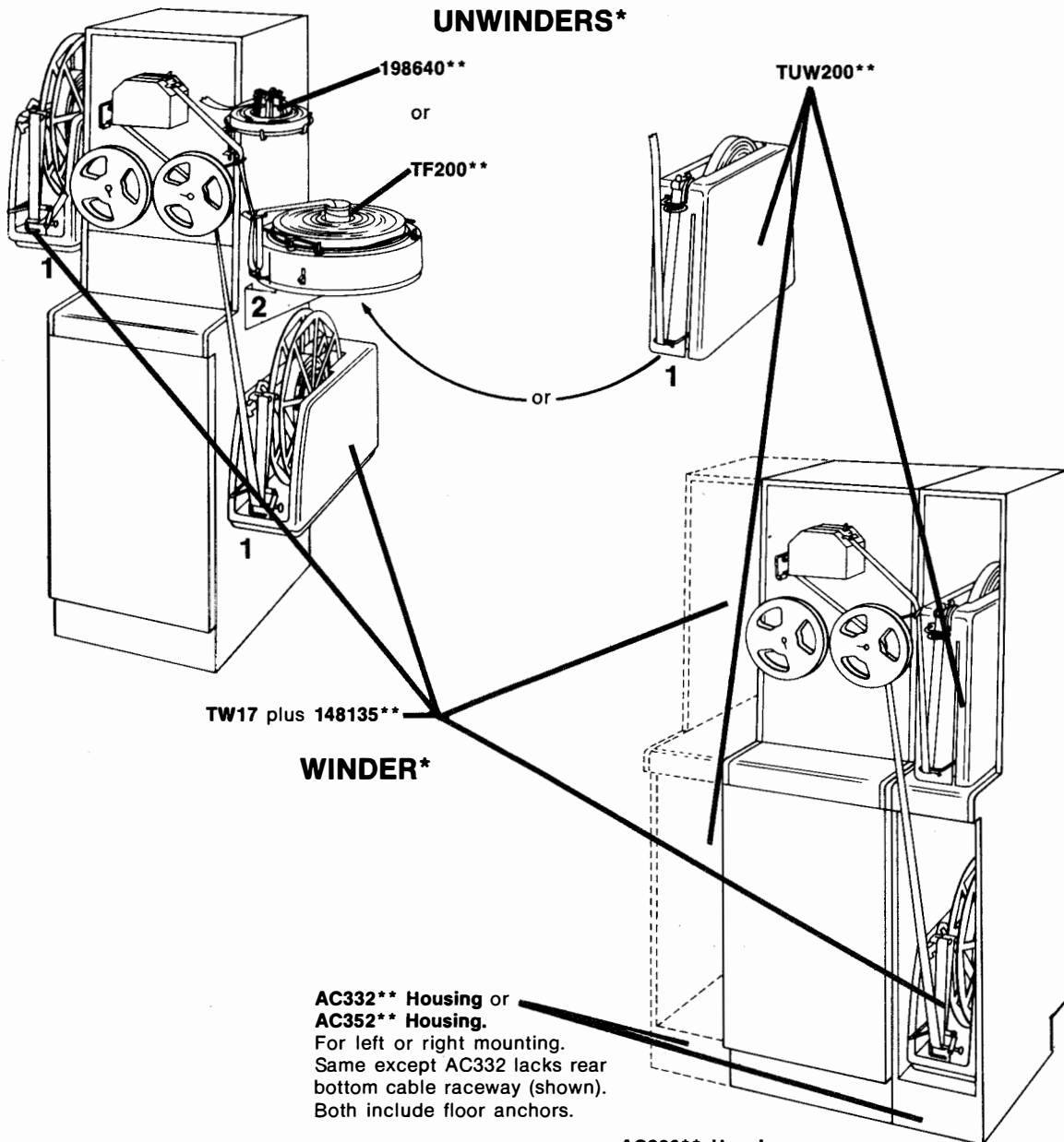
32 and 33



paper and tape handling



floor model terminal tape handling



notes:

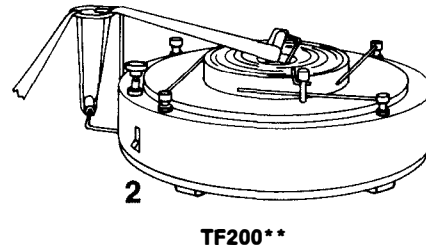
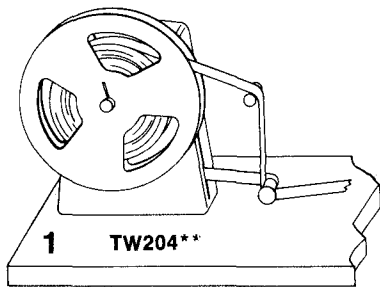
- 1 Order 148164** Shelf. Includes tape guides.
- 2 Order 148163** Shelf.

*Winders and unwinners are described on page 11.

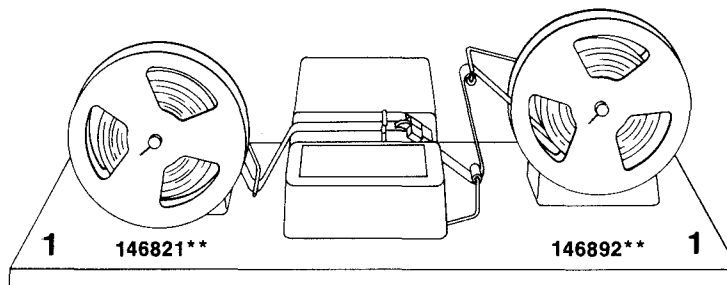
**A two letter paint color-finish suffix must be specified, see page 15.

Telespeed

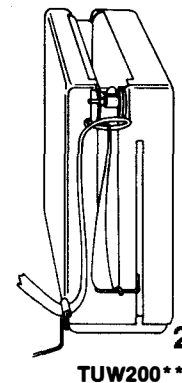
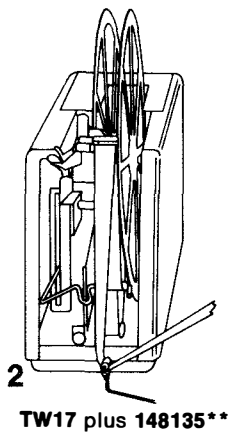
table model terminal tape handling



WINDERS*



UNWINDERS*



notes:

- 1 Order 329100 Mounting Board (shown). Mounts a winder, unwinder, and reader. Laminated plastic covered and is 28 by 16 by 7/8 inches, 12 pounds.
- 2 Not mounted. Set next to reader.

*Winders and unwinders are described on page 11.
**A two letter paint color-finish suffix must be specified, see page 15.

winder and unwinder descriptions . . .

Tape Winder and Unwinder Capabilities All handle up to 1 inch wide paper tape. In cases where your tape must be moved from a winder to an unwinder, be sure that the "core" or hole diameter of the tape roll removed from the winder will fit on the unwinder.

Tape Winders	Speed ¹ (wpm)	No. of Reels	Tape Capacity (feet per reel)		Reel ²	Automatic ³	Freewheeling ⁴	Full Sensor ⁵	Power ⁶
			regular	chadless					
146821**	1000	one	350	170	199901	•	•		Spring
TW17 + 148135**	2000	one	3000	2000	146238	•	•	•	115 vac, 50/60 Hz
TW18 + 194770**	300	one	2000	1000	162823 + 194769	•		•	115 vac, 50/60 Hz
TW19 + 195105**	300	three	2000	1000	162823 + 194769	•		•	115 vac, 50/60 Hz
TW200**	900	one	600	300	8 in. dia., 3 in. core	•			115 vac, 60 Hz
TW204**	600	one	650	325	199901 or 194748 (not incl.)	•	•		115 vac, 60 Hz
TW207**	300	two	2000	1000	162823 + 194769			•	115 vac, 50/60 Hz
Tape Unwinders			Type of Unwinder						
146815	100	one	Center		12 in. dia., 2¾ in. core		•		none required
146892** ⁷	1050	one	Outside		199901 or 194748 (neither incl.)		•		none required
199935 ⁸	500	one	Center		6 in. dia., 2 in. core		•		none required
TF200**	1050	one	Center		12½ in. dia., 2¾ in. core	•			115 vac, 60 Hz
TUW200**	2000	none	Outside		none, accepts tape roll 14½ in. dia.	•			115 vac, 60 Hz
198640**	1050	one	Center		6 in. dia., 2½ in. core		•		none required

1 maximum speed of terminal with which the winder or unwinder can be associated.

2 reels are included unless stated otherwise; part numbered reels are removable and are described on page 14.

3 Tape Winders: winds when tape is slack, stops when taut.

Tape Unwinders: unwinds when tape is taut, stops when slack.

4 can be used as a freewheeling outside unwinder.

5 has winder full sensing switch.

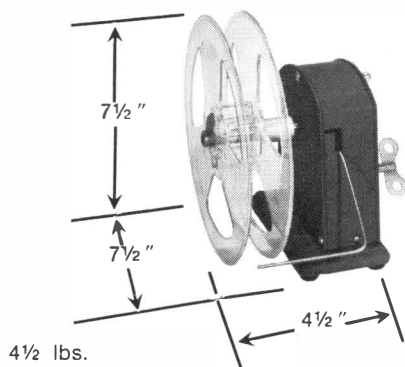
6 motor driven winders and unwinders include on-off switch, fusing, and power cord.

7 146892** Unwinder has an automatic brake which prevents unwanted inertial freewheeling. Works in CW or CCW direction.

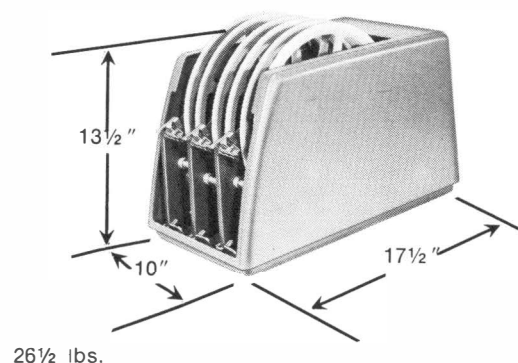
8 199935 Unwinder has a magnetic base.

Tape Winder and Unwinder Dimensions

146821**



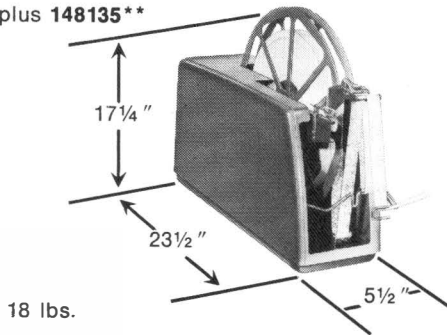
TW19 plus 195105**



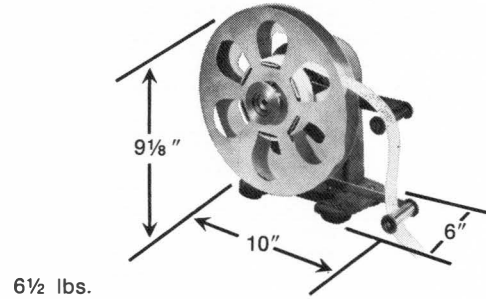
**A two letter paint color-finish suffix must be specified, see page 15.

...winder and unwinder descriptions (cont'd)...

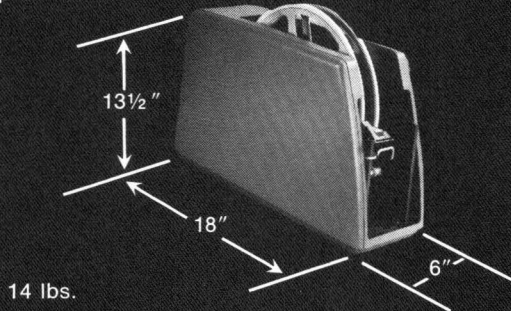
TW17 plus 148135**



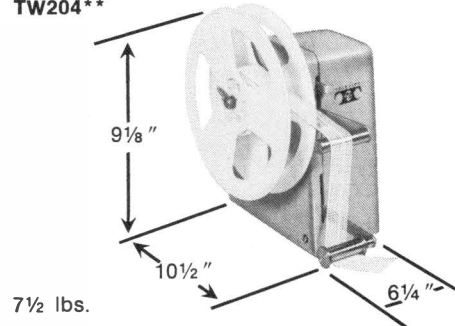
TW200**



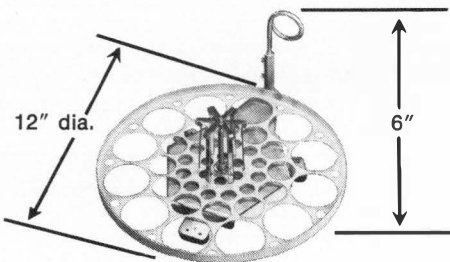
TW18 plus 194770**



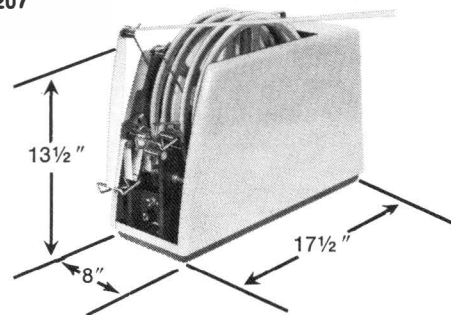
TW204**



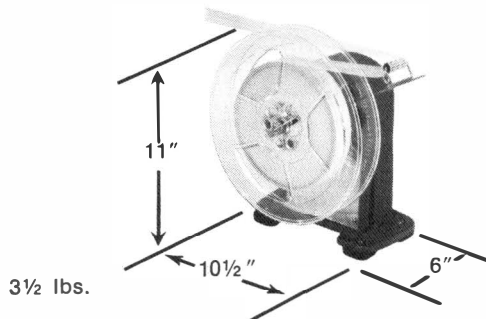
146815



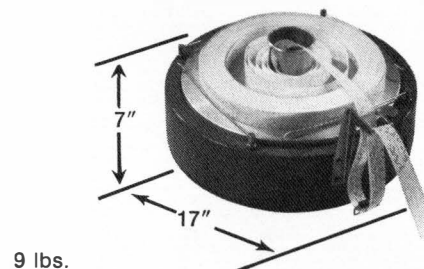
TW207**



146892**

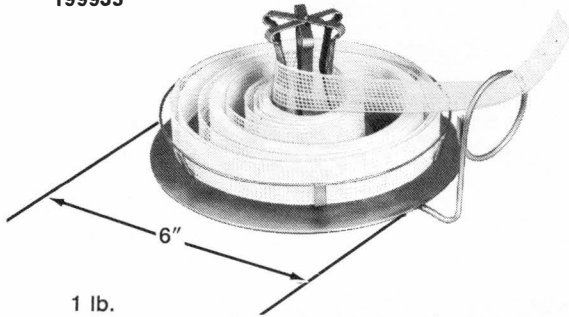


TF200**

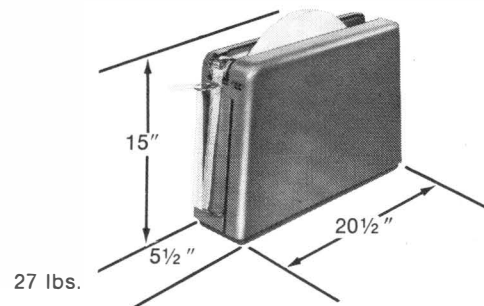


... winder and unwinder descriptions (cont'd)

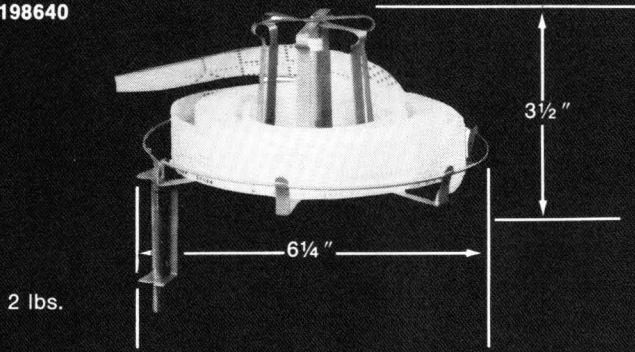
199935



TUW200**



198640



LPW300 Paper Winder**

Shown installed on pages 4, 6, and 8.

Displays print-out leaving set and winds on spindle. Handles single ply paper up to 400 feet long, installed on Model 28 or 35 sets; up to 320 feet long, installed on Model 32 or 33 sets. Paper width can be 4 1/4 to 8 1/2 inches. Automatically winds when paper is slack, and stops when taut. Motor driven: 115 vac 50/60 Hz. Removable spindle. Adds 7 1/2 inches to depth, and 12 inches to height of terminal it is installed on.

Order 193950 hardware to install winder on Model 28 or 35 sets.

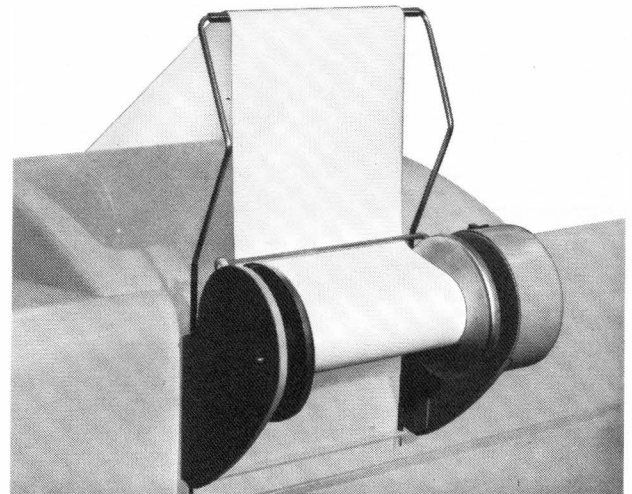
Order 178598 hardware for Model 28 or 35 Wall Mounted Sets; plus 320033 hardware for these sets when using paper 7 inches or less in width.

Order 195259** hardware for Model 32 or 33 sets.

... plus the LPW300** Paper Winder itself.

YPW800GF Paper Winder (for 37 terminal)

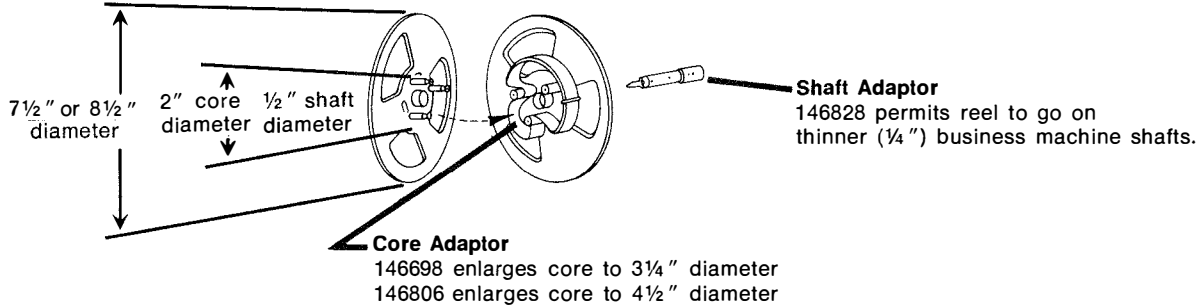
Same description as for LPW300 installed on a 35, except it is installed on upper portion of pedestal. All hardware included.



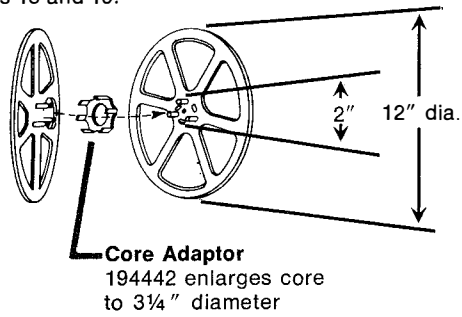
**A two letter paint color-finish suffix must be specified, see page 15.

■ reels and adapters for tape winders and unwinders

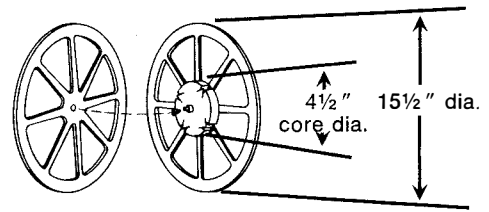
199901 (7½") and 194748 (8½") Reels



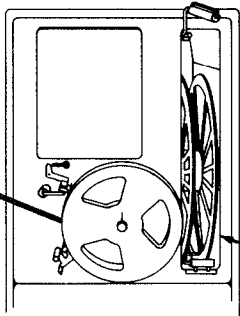
162823 plus 194769 Reel. Used on TWs 18 and 19.



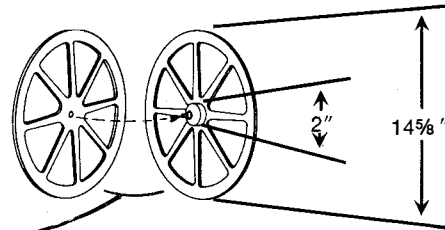
146238 Reel. Used on TW17.



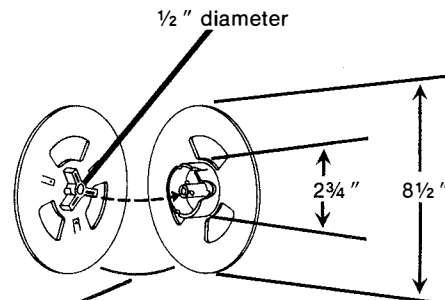
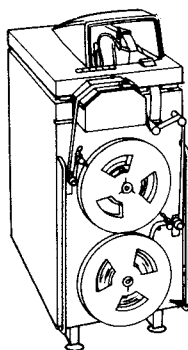
199901
(above)



19936 Supply Reel
Used in Telespeed 1050 receiver terminals.
Handles up to 3000 feet of up to 1 inch tape

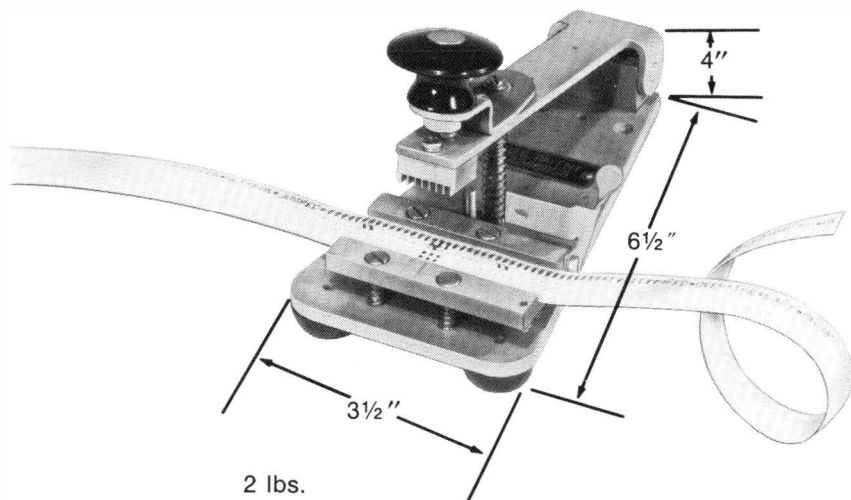


327000 Reel
Used on Model 37 sets.
Handles up to 1000 feet of 1 inch tape.



Rear half can be used alone to wind and easily remove short lengths of tape.

paper tape splicers



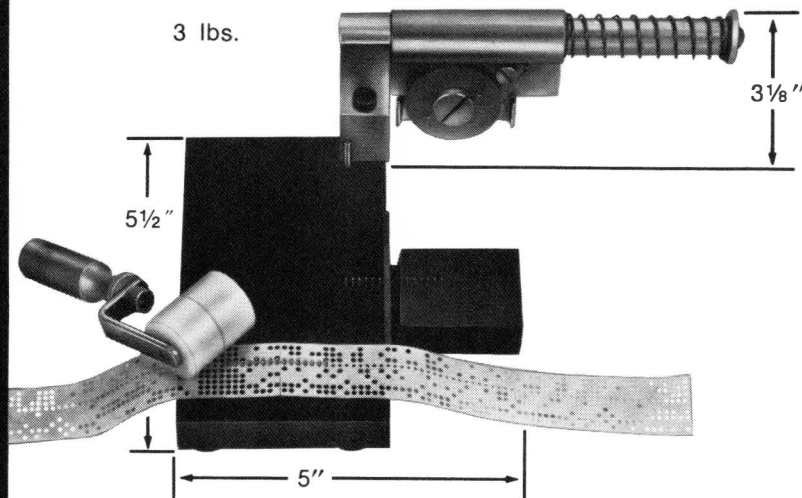
99214 Tape Splicer

Overlap splices 11/16 inch, 5-level, chadless punched paper tape. Uses chads to join tapes together—no glue required. Includes mounting screws for attaching to wood surface.

103074 Weighted Base makes splicer portable. Increases dimensions to 7 1/4 by 4 by 4 1/2 inches high.

317212 Tape Splicer

Butt splices 11/16 inch, 5-level; 7/8 inch, 6-level advanced feed hole; and 1 inch, 8-level punched paper tape. Order **Splicing Patches** 317325, 317326 or 317328 (not shown) respectively.

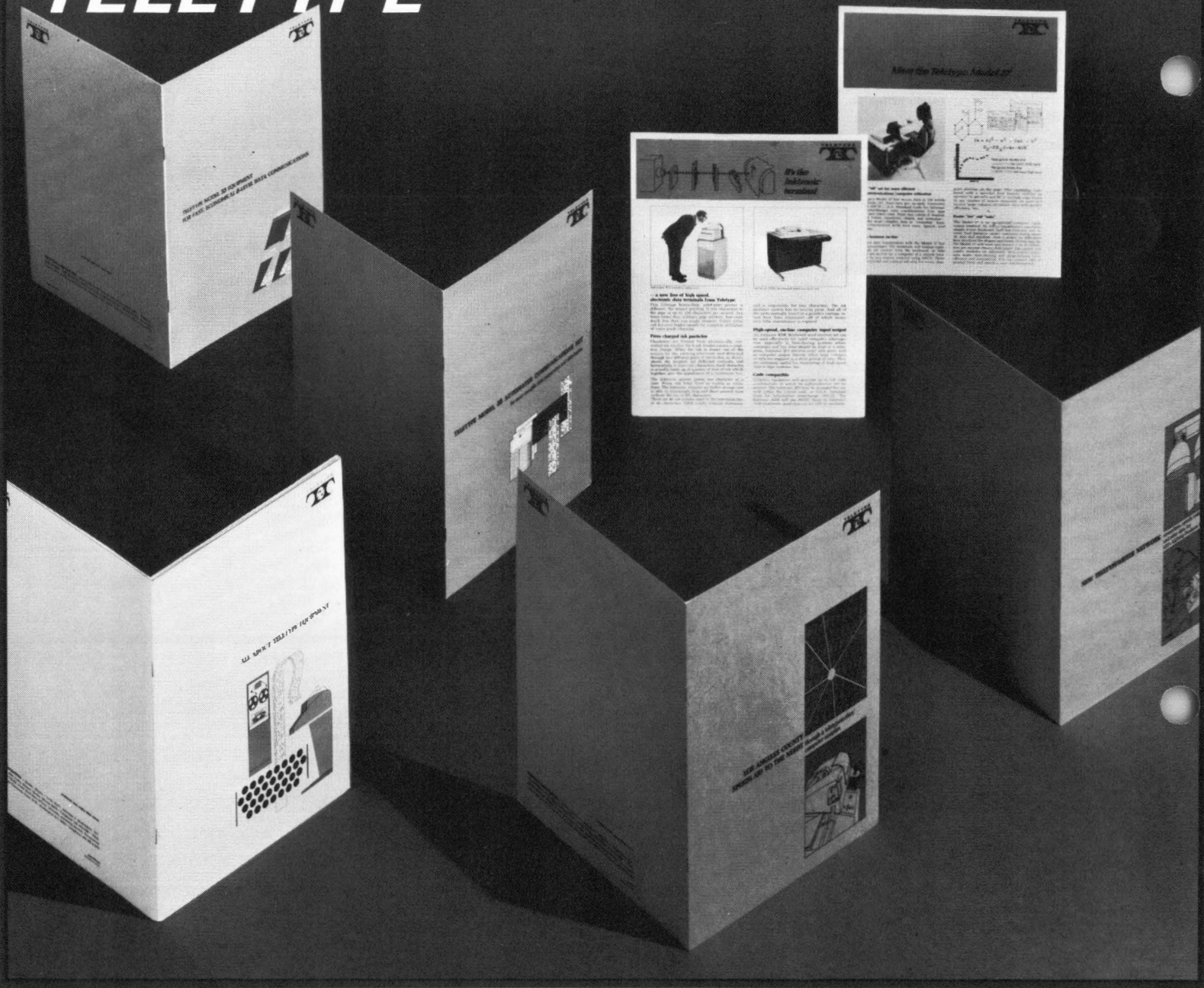


Color	Finish		
	Smooth Alkyd	Smooth Vinyl	Textured Vinyl
Charcoal Gray	BZ		
Green Gray	BK		GA†
Light Gray	EJ	HB	
Light Navy Gray	BU		
Light Olive Gray	EW	HF	

Model 37 color is GF

†GA available for 28 only

TELETYPE®



Recommended Reading . . . Looking for up-to-the-minute answers about the latest Teletype data communications equipment? Teletype has informative brochures and fact sheets on equipment capability, applications, and case histories that are yours for the asking. For a current listing of available literature, please write for, "How to get information on Teletype equipment, applications and case histories," to Teletype Corporation, Dept. SP 85, 5555 Touhy Avenue, Skokie, Illinois 60076.

TELETYPE CORPORATION

GENERAL OFFICES: 5555 Touhy Avenue, Skokie, Illinois 60076 • Telephone: 312 982-2000 • TWX: 910-223-3611 and TELEX: 25-4051 (both have 24-hour automatic answering service)

AREA OFFICES:

Chicago Sales—
5555 W. Touhy Ave.,
Skokie, Ill. 60076,
phone 312 982-2500

Product Service—
9930 Derby Lane,
Westchester, Ill. 60153,
phone 312 345-7920

Los Angeles Sales—
5720 E. Washington Blvd.,
City of Commerce, Calif. 90022,
phone 213 724-6040

Product Service—
5720 E. Washington Blvd.,
City of Commerce, Calif. 90022,
phone 213 724-5051

New York Sales—
140 Sylvan Ave.,
Englewood Cliffs, N.J. 07632,
phone 201 461-7070

Product Service—
140 Sylvan Ave.,
Englewood Cliffs, N.J. 07632,
phone 201 947-7300

Washington, D.C. Sales—
1800 N. Kent St.,
Arlington, Va. 22209
phone 703 528-6050

Product Service—
1800 N. Kent St.,
Arlington, Va. 22209
phone 703 522-7118

machines that make data move