

INSTRUCTIONS FOR INSTALLING THE 307228 MODIFICATION
KIT TO ADD OFFSET COPYHOLDER TO MODEL 35 KSR AND ASR
SET CABINETS THAT ARE EQUIPPED WITH CALL CONTROL UNIT
MOUNTING FACILITIES**

The 307228 kit mounts on the following units:

Set	Cabinet	
	Teletype Code	Bell Code
RO	LAC300	35A
ASR	LAAC300	35B
KSR	LAC300	35A

The 307228 kit does NOT mount on the following units:

Set	Cabinet	
	Teletype Code	Bell Code
KSR	LAC302	35D
KSR	LAC301	35C

1. GENERAL

a. The 307228 modification kit mounts on the LAAC300 Model 35 ASR Set cabinet and LAC300 Model 35 KSR set cabinet just behind the call control unit bezel at the top right. It provides facilities for holding up to letter size copy being used by an operator while typing; it also has a letter tray and a purse hook located on the under surface of the base of the copyholder.

b. Early design cabinets do not have mounting holes for the copyholder and these must be drilled in the field. Four holes are provided in later design lower covers for mounting the copyholder.

RTTY ELECTRONICS
TELETYPE=~~Sales Service~~-Parts
PO Box 20101 El Sobrante, Ca.
94820. (510)222-3102
mr_rtty@pacbell.net

Printed in U.S.A.

c. The copy is held against a flat plate by an adjustable line guide assembly. The line guide assembly in turn is mounted on a pivot arm.

d. The 307228 kit consists of:

2	8333	Screw	2	199470	Plate, Nut
4	115590	Screw	1	307227**	Copyholder Assembly w/Line Guide
1	194970	Tray, Letter			

e. For parts ordering information see Teletype Parts Bulletin 1187B.

2. INSTALLATION (Figures 1 and 2)

a. On early design covers, drill the necessary mounting holes in accordance with Figure 1. This should be done with the cover removed in accordance with standard procedure.

b. On late design covers remove the snap-in fillers from the four holes to the rear of the call control unit bezel on the lower cover of the cabinet. Open the cover in accordance with standard procedure.

c. Mount the 307227 copyholder assembly w/line guide to the lower cover and secure, using the four 115590 oval head screws, and two 199470 nut plates. (See Figure 2)

d. Insert the two 8333 round head screws from right into the tapped holes in the 307227 copyholder assembly (see Figure 2). Tighten only a few turns.

e. Place the 194970 letter tray slots over the 8333 screws and tighten the screws.

3. ADJUSTMENTS AND LUBRICATION

Make the Line Guide Copyholder Adjustment as given in Teletype Bulletin 280B, Volume 2 (Bell System refer to the standardized information).

* * *

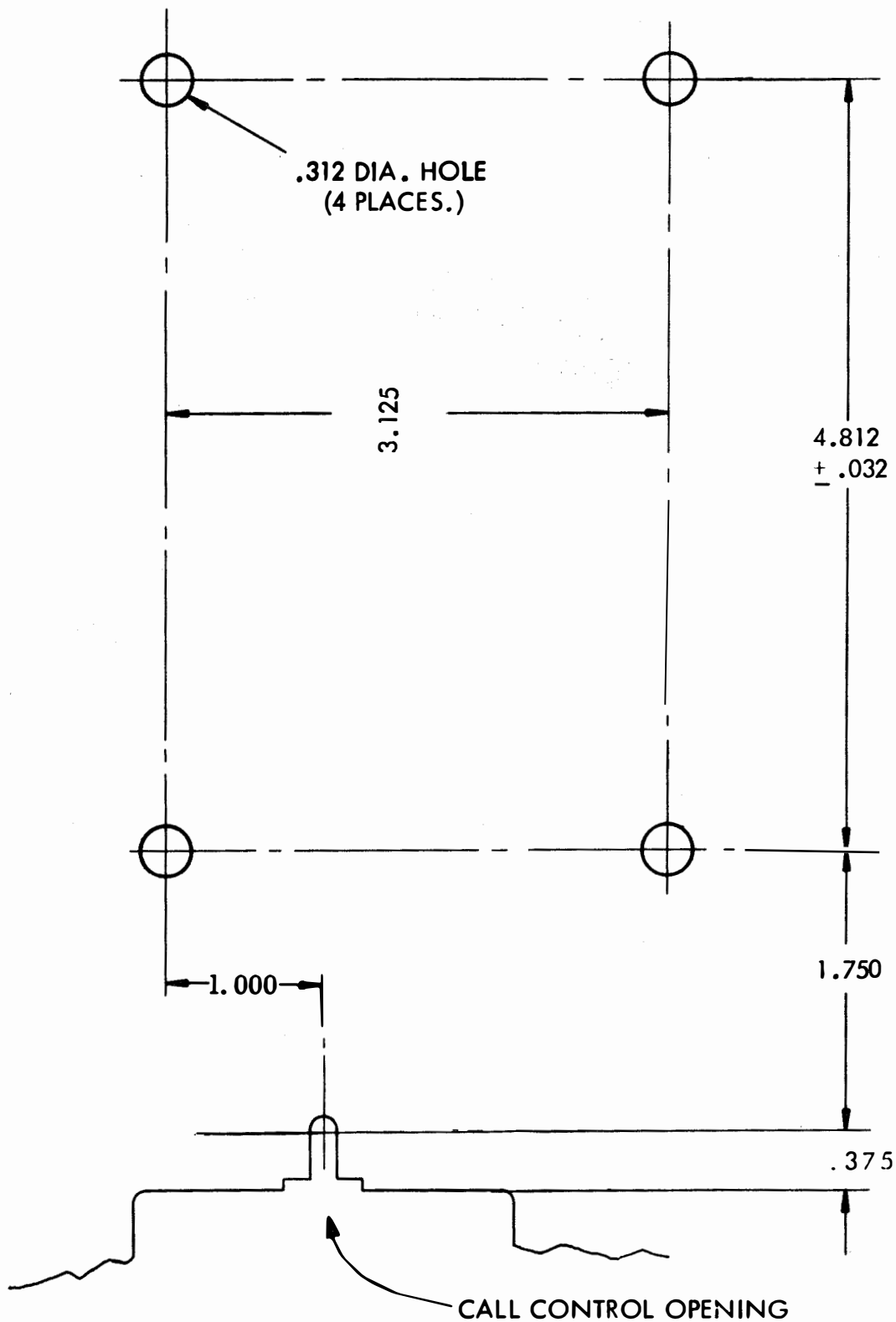


FIGURE 1

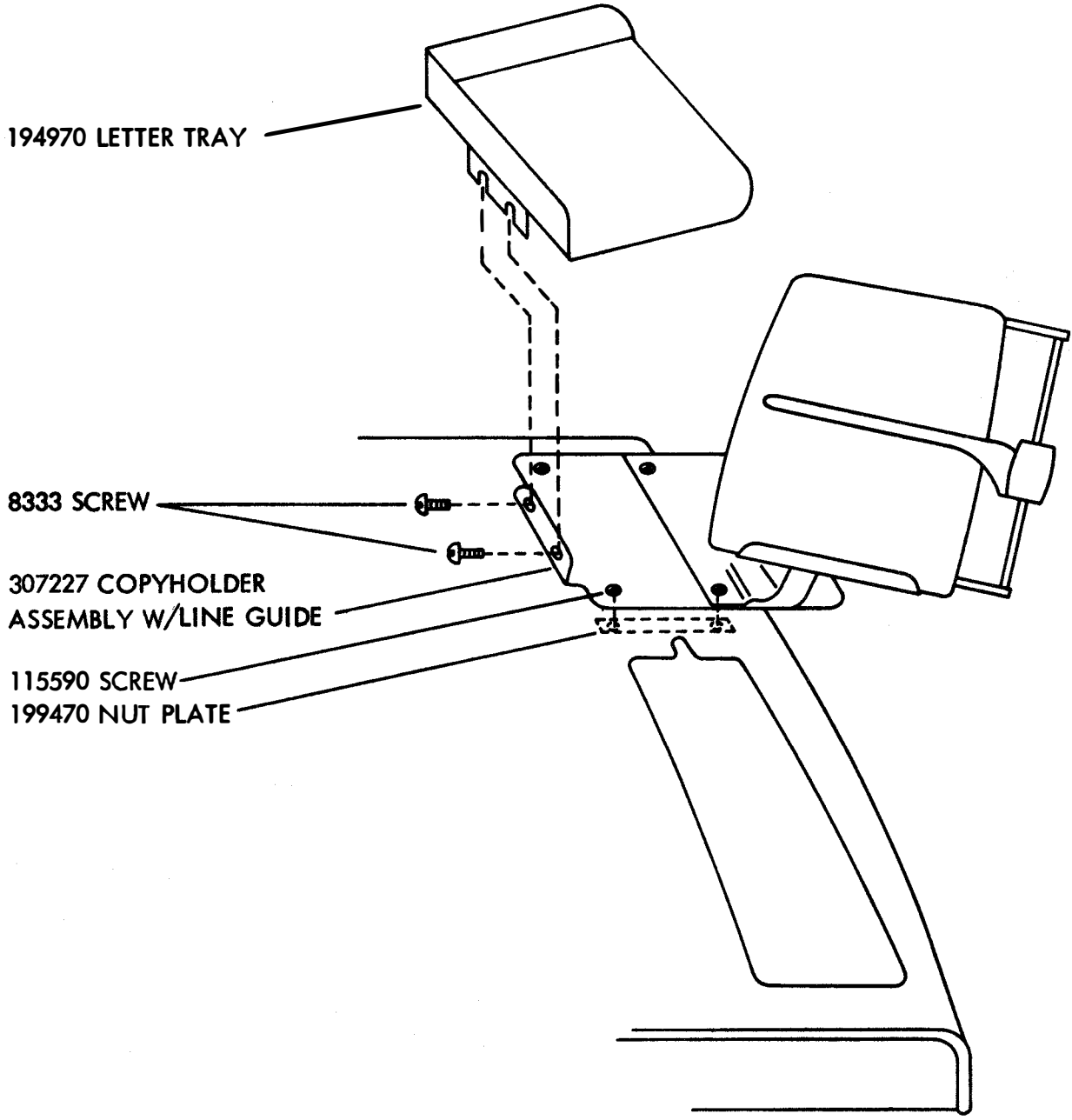


FIGURE 2