

**BELL SYSTEM PRACTICES**  
**Teletypewriter and Data Stations**

**SECTION P34.602**  
**Issue 1, June, 1958**  
**AT&TCo Standard**

# **28C TRANSMITTER-DISTRIBUTOR UNIT LUBRICATION**

## **CONTENTS**

## **PAR. NO.**

1. GENERAL .....	1.01-1.06
2. PARTS TO BE LUBRICATED .....	2.01-2.15
3. REFERENCE TO BELL SYSTEM PRACTICES	3.01

### **1. GENERAL**

1.01 This section contains the lubrication procedures for the maintenance of the 28C transmitter-distributor unit, which uses a pivoted sensing-head.

1.02 Lubrication of the unit before it is placed in service should be governed by the principles given in Section P33.014. After that, because of varying conditions at each station, the unit should be lubricated as often as specified by local instructions.

1.03 The following recommended lubrication intervals are included as a guide for use under normal operating conditions.

<u>Operating Speed</u>	<u>Lubrication Interval</u>
(Words per Minute)	
60	3000 hr or 1 yr*
75	2400 hr or 1 yr*
100	1500 hr or 6 mos
200	1000 hr or 4 mos

\* Whichever occurs first.

1.04 The lubricants to be used and their methods of application are those specified in Section P30.011. The lubrication symbols used herein are the same as those given in that section. However, the simple symbol 0, which according to Section P30.011 indicates one or two drops of oil, is used in this practice to mean only one drop of oil. Symbols, such as 02, 03, or 020, are used herein to specify that two, three, or twenty drops respectively are to be applied at the points indicated.

1.05 The 28C transmitter-distributor unit should be lubricated in accordance with the following general information and with the specific instructions illustrated in Part 2.

- (a) Lubricate all spring eyes with one drop of oil.
- (b) Lightly oil all cam surfaces, sliding surfaces, and pivot points.
- (c) Apply a light coating of grease to all gears.
- (d) Saturate all felt oil retainers (felt lubricating washers and wicks) with oil.

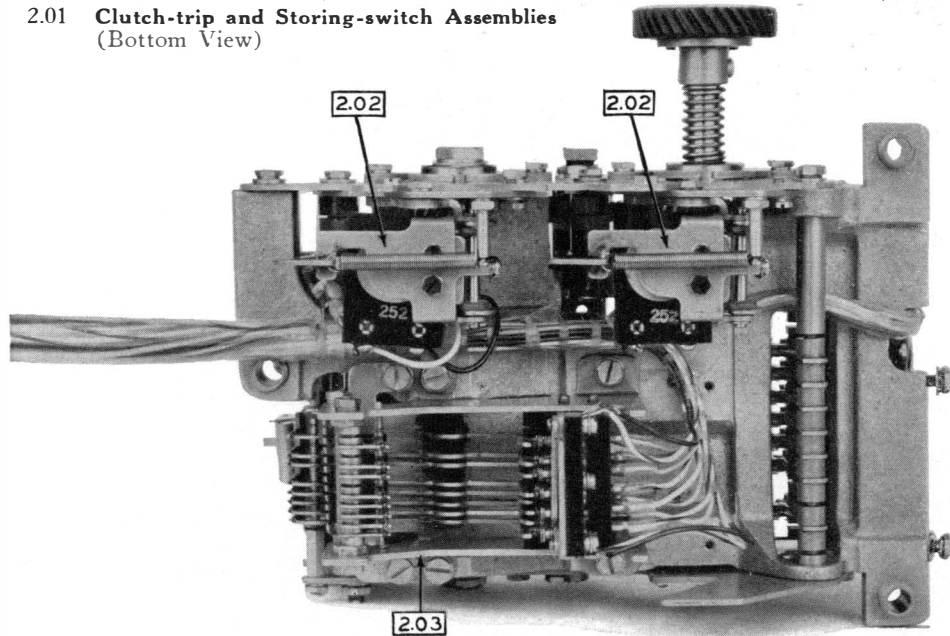
Overlubrication, however, which would permit oil or grease to drip or be thrown on other points should be avoided. Special care should be taken to prevent oil or grease from getting on any contact point face.

1.06 The photographs in Part 2 show the paragraph numbers referring to particular line drawings of mechanisms and the location of these mechanisms on the unit. Parts in the line drawings are shown in an upright position unless otherwise indicated. If it is difficult to lubricate a part in the indicated position, the unit should be turned to a position in which the part is more accessible.

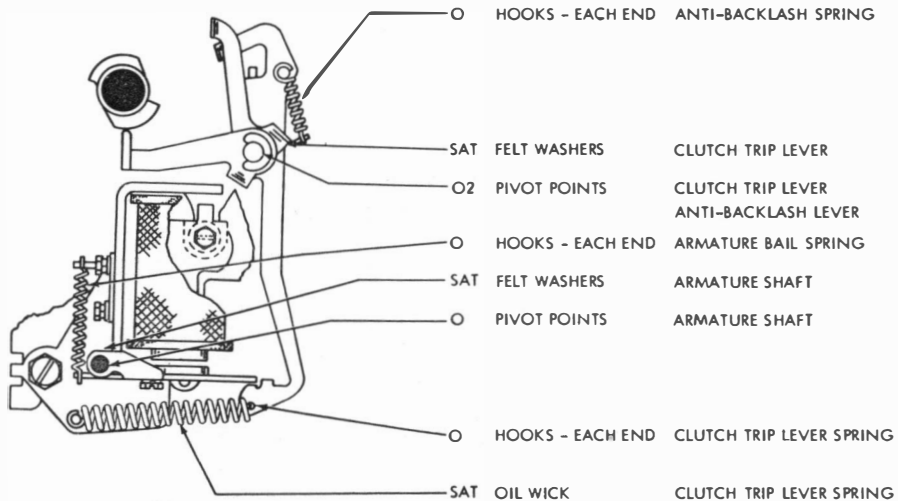
## 2. PARTS TO BE LUBRICATED

**Note:** The unit should be upside down for the lubrication shown in 2.01 to 2.03, inclusive.

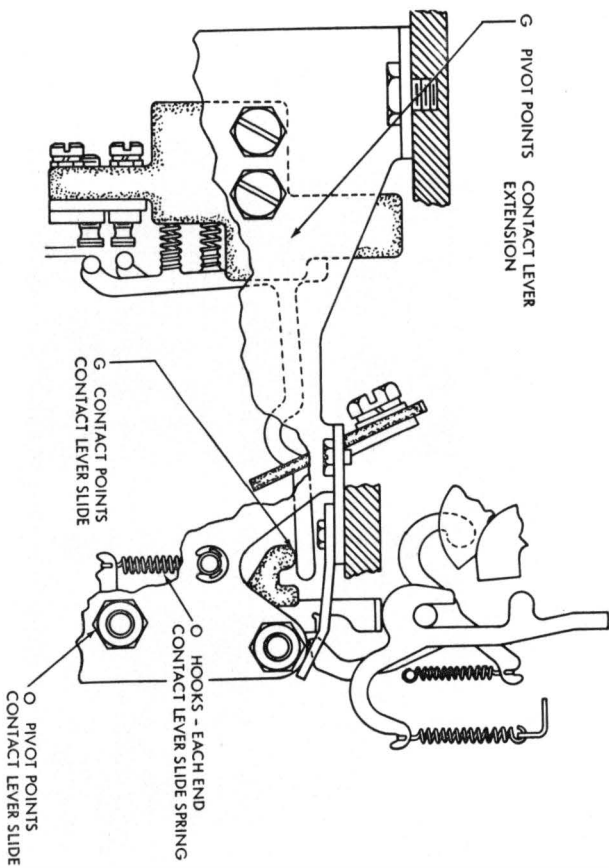
### 2.01 Clutch-trip and Storing-switch Assemblies (Bottom View)



## 2.02 Clutch-trip Assemblies



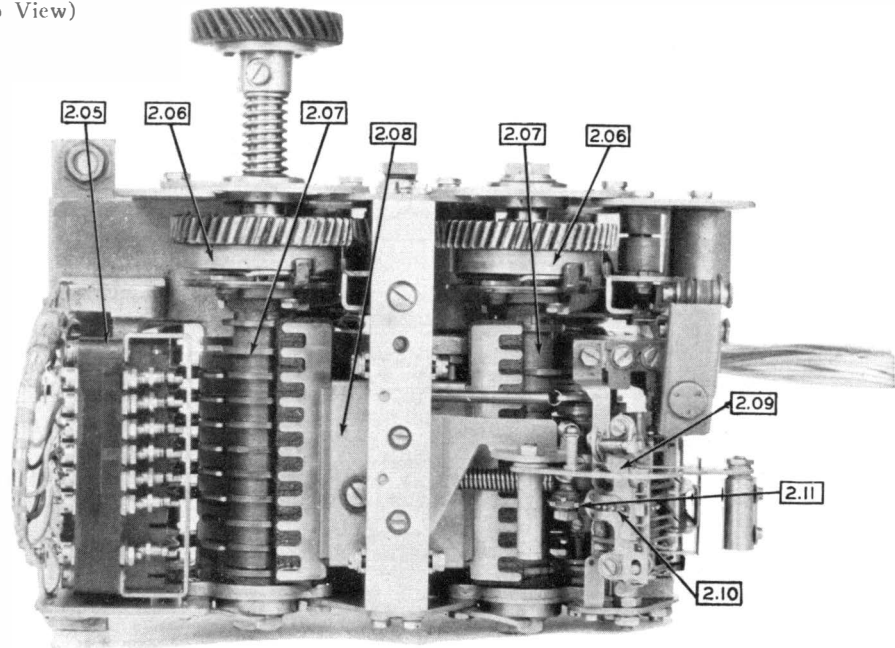
2.03 Storing-switch Assembly



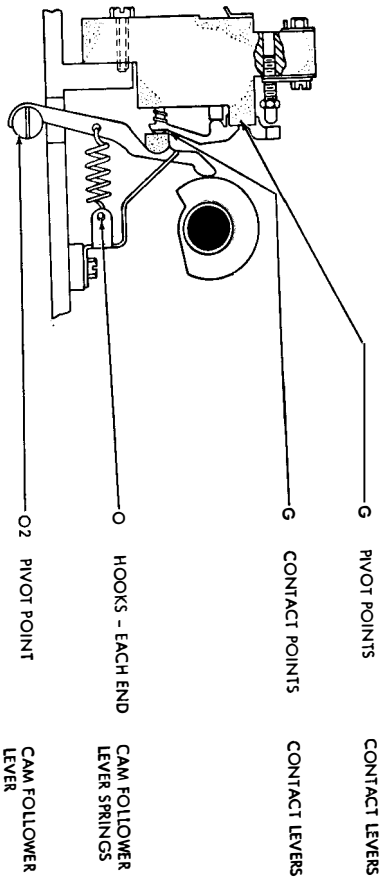
**Note:** The unit should be upright for the lubrication shown in 2.04 to 2.15, inclusive.

**2.04 Distributor-block, Clutch, and Camsleeve Assemblies, etc.**

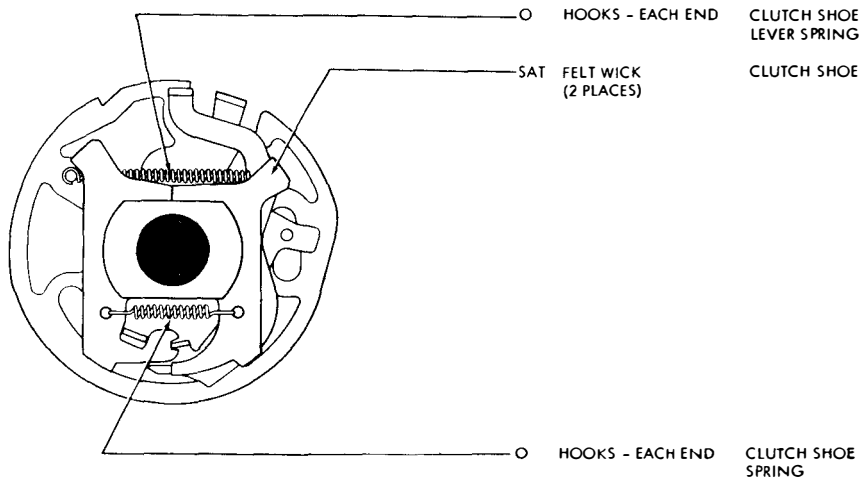
(Top View)



## 2.05 Distributor-block Assembly

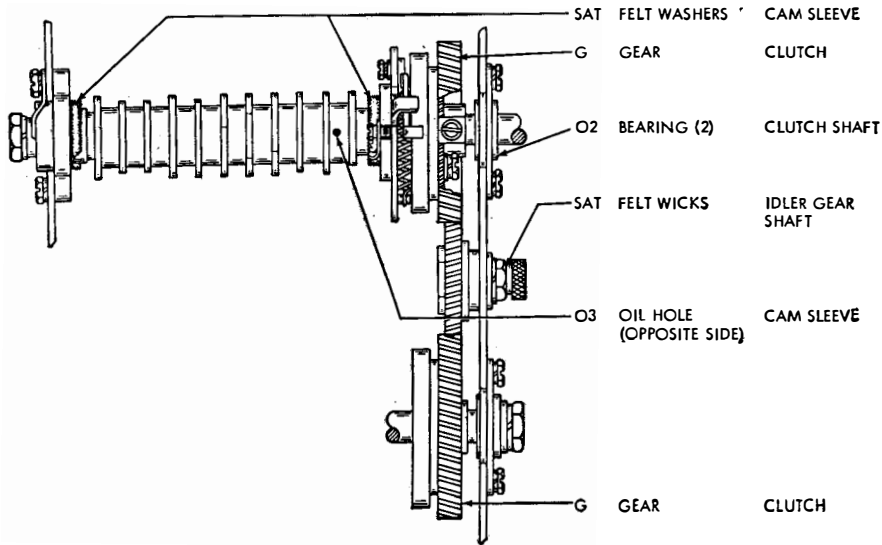


## 2.06 Clutch Assemblies

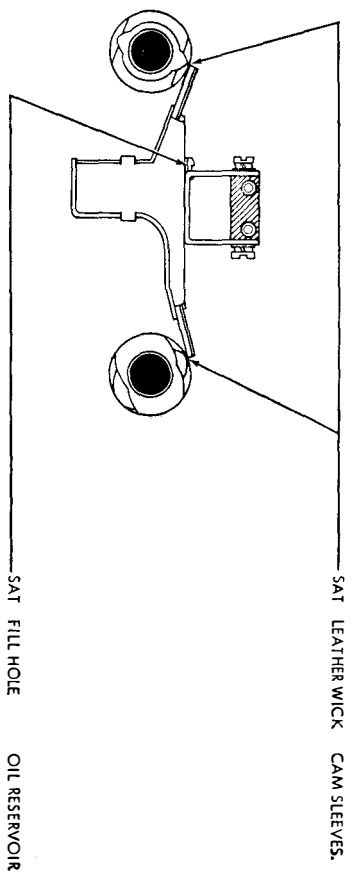




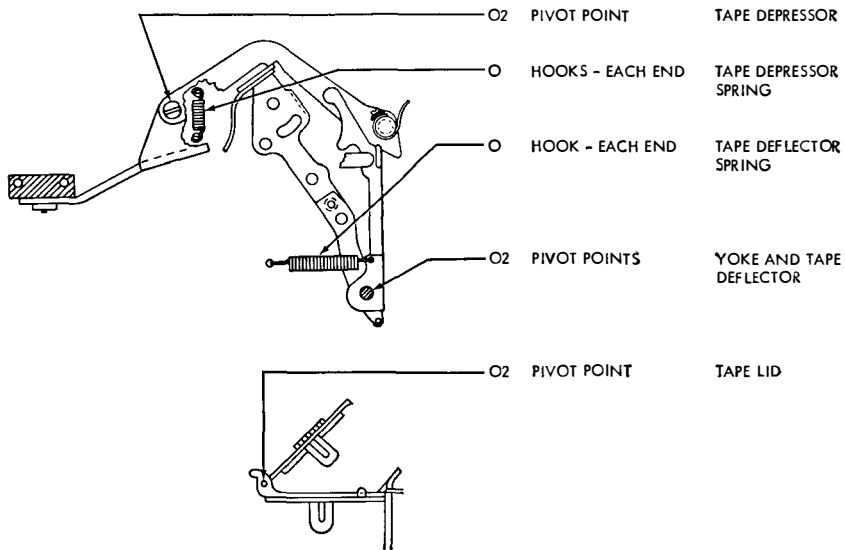
## 2.07 Camsleeve Assemblies



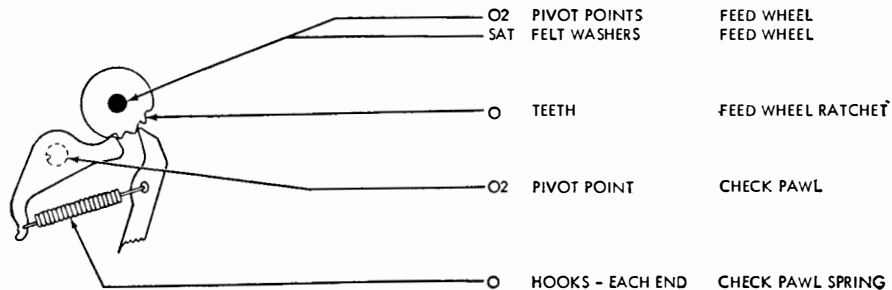
### 2.08 Oil-reservoir Assembly



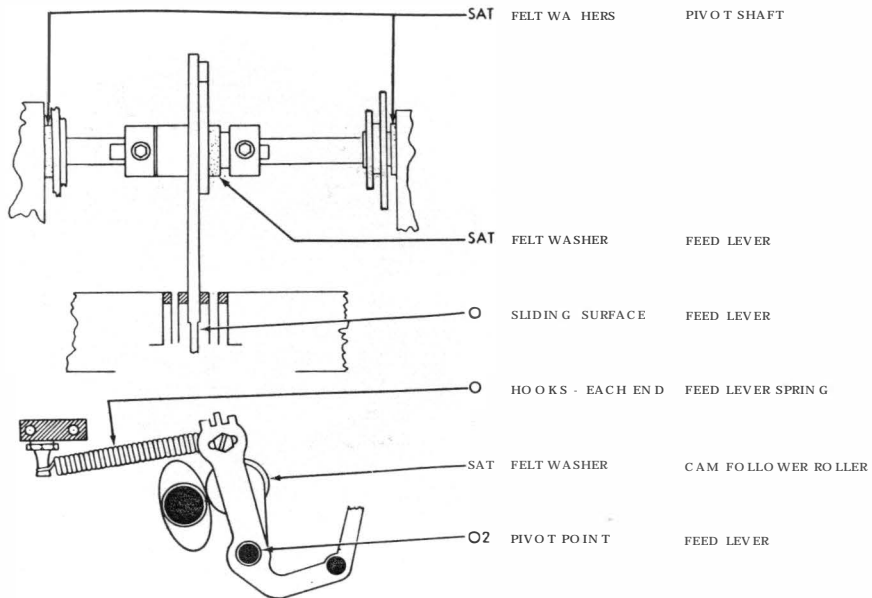
## 2.09 Pivoted Sensing-head



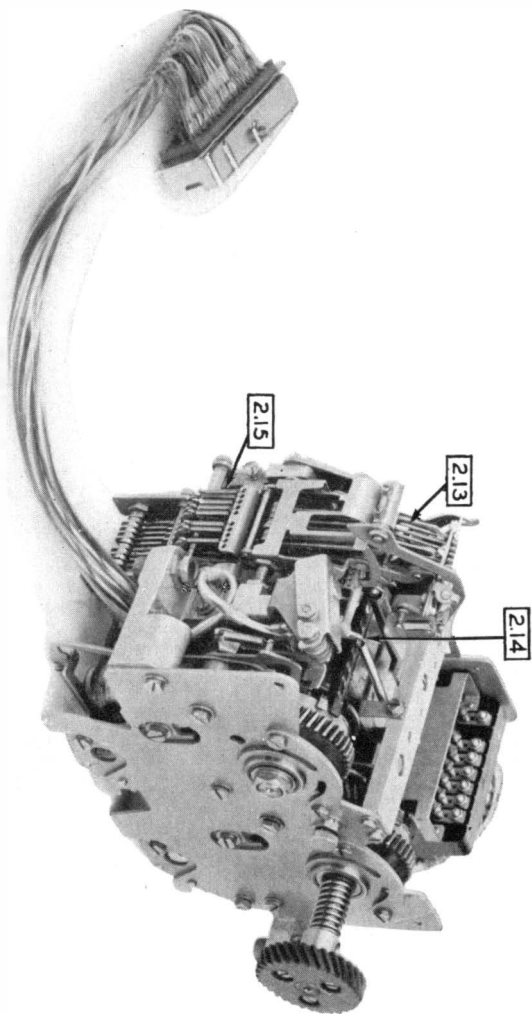
## 2.10 Check Pawl and Feed Wheel



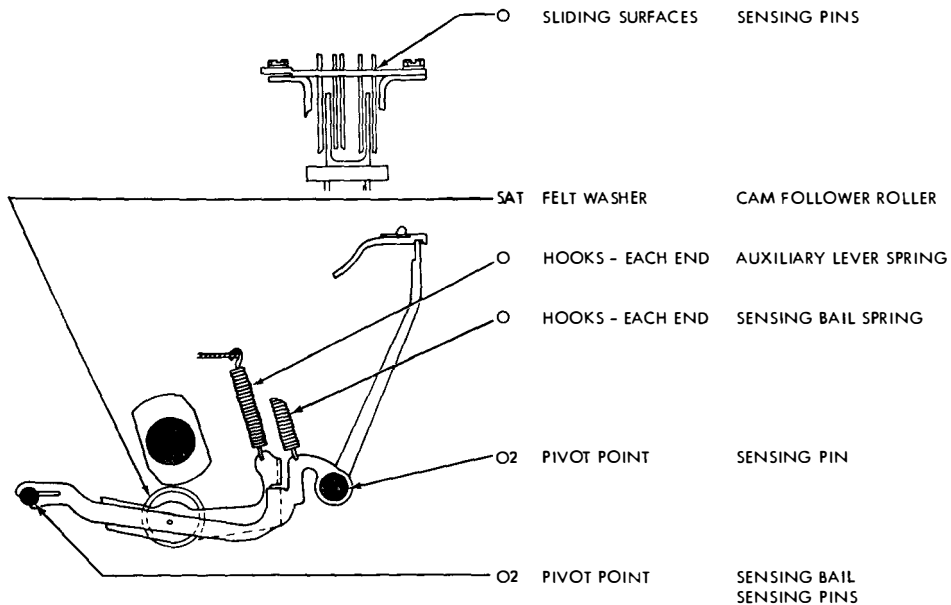
## 2.11 Feed Mechanism



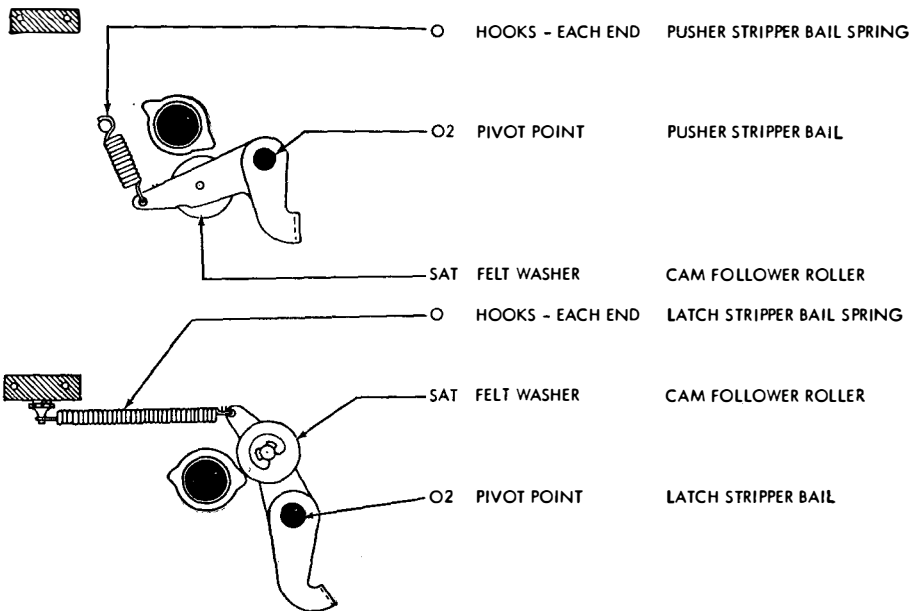
2.12 Sensing Mechanism (Right, Rear View)



## 2.13 Sensing Mechanism

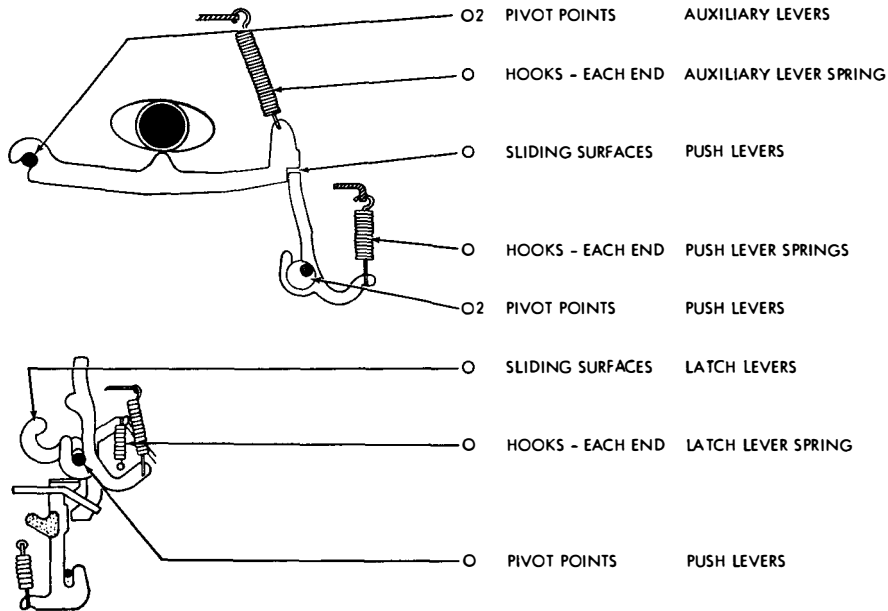


## 2.14 Sensing Mechanism (Cont'd)





## 2.15 Sensing Mechanism (Cont'd)



### 3. REFERENCE TO BELL SYSTEM PRACTICES

3.01 The following Bell System Practices contain information which may be required in connection with this practice.

<u>Subject</u>	<u>Section</u>
Teletypewriter Apparatus, General Requirements and Procedures .....	P30.012
Teletypewriter Apparatus, Lubrication, General Requirements .....	P30.011
Teletypewriter Apparatus, Preparation of Apparatus for Installation .....	P33.014
28C Transmitter-Distributor Unit, Requirements and Procedures .....	P34.631
28C Transmitter-Distributor Unit, Wiring Diagrams .....	P34.304