

BELL SYSTEM PRACTICES
Teletypewriter and Data Stations

SECTION P34.352
Issue 1, September, 1961
AT&T Co Standard

28LB
ELECTRICAL SERVICE UNIT
WIRING DIAGRAM

1. GENERAL

- 1.01 This section shows the wiring for the 28LB electrical service unit.

28LB ELECTRICAL
SERVICE
UNIT
WIRING
DIAGRAM

P34.352

Page 1

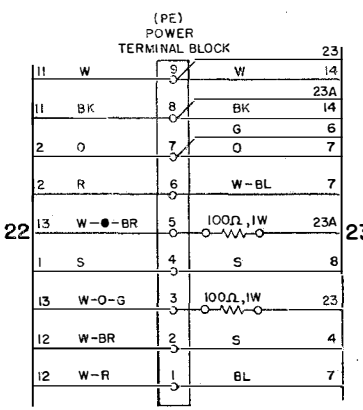
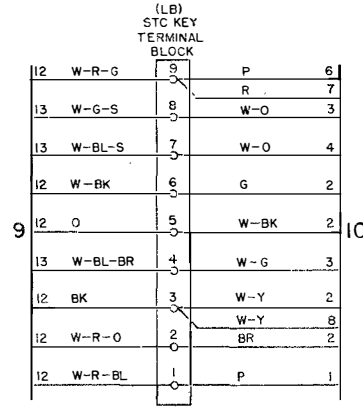
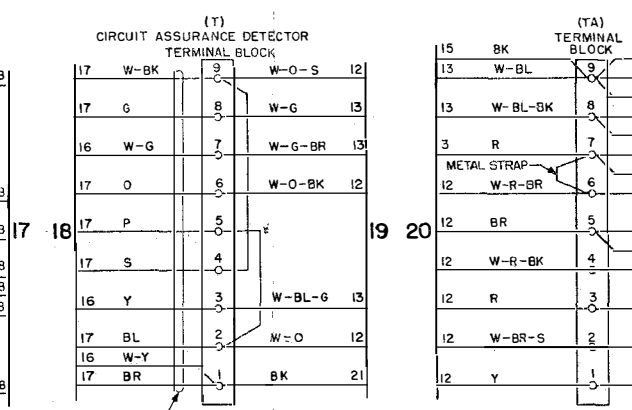
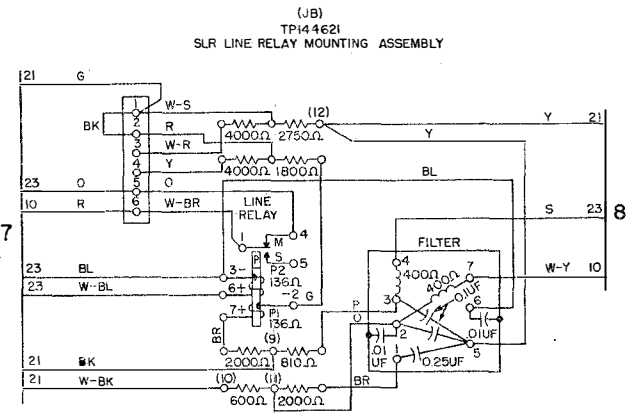
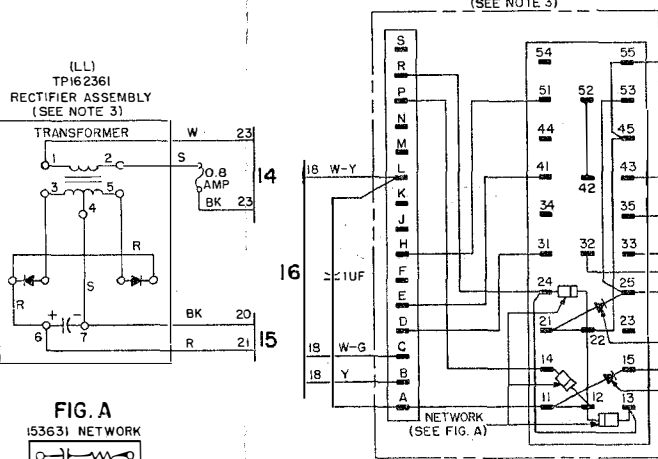
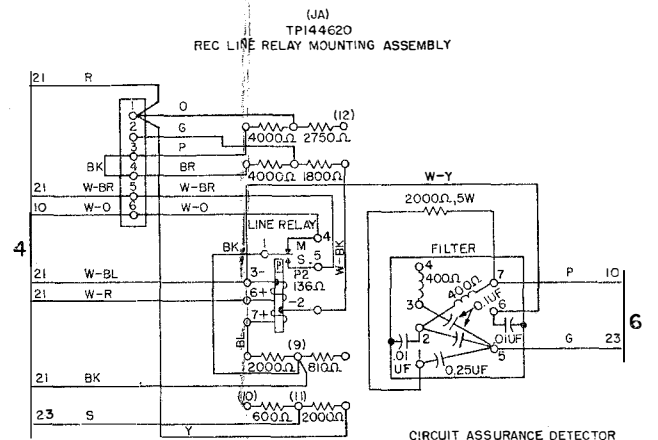
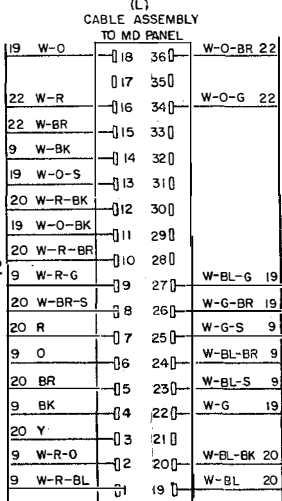
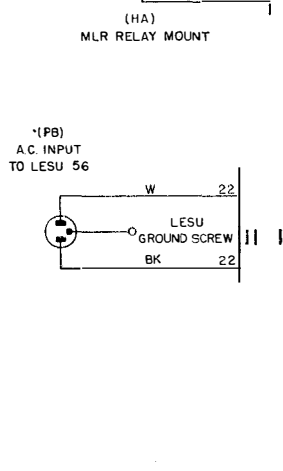
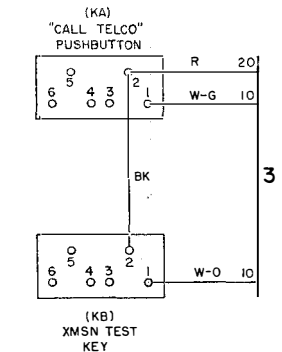
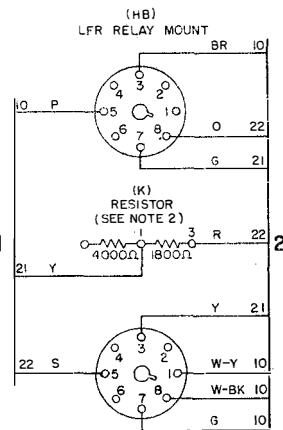
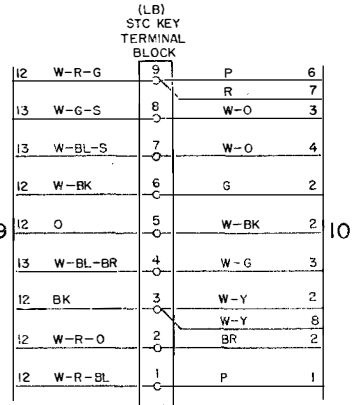
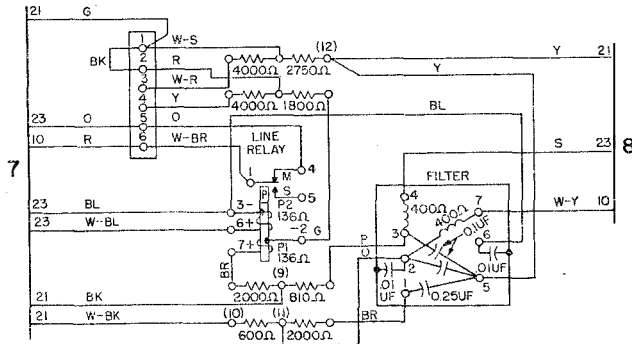


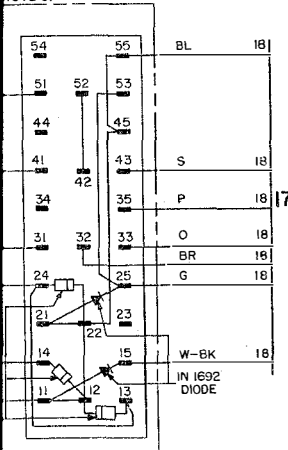
FIG. A
53631 NETWORK
0.1UF 470Ω

- NOTES:
- UNIT WIRED FOR 115 VOLTS, 60⁺ A.C. POWER INPUT ONLY.
 - MOUNT "K" RESISTOR WITH 1800Ω TERMINALS NEAR MOUNTING PLATE. USE 60026 SLEEVING ON TERMINALS, 3/4 IN. LONG.
 - CONNECT CABLE 145280 FIRST AND RECTIFIER ASSEMBLY NEXT.

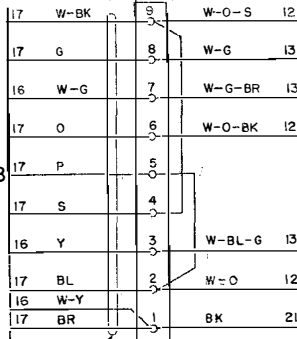
(JB)
 TP144621
 SLR LINE RELAY MOUNTING ASSEMBLY



DISTANCE DETECTOR
 NOTE 3)



(1)
 CIRCUIT ASSURANCE DETECTOR
 TERMINAL
 BLOCK

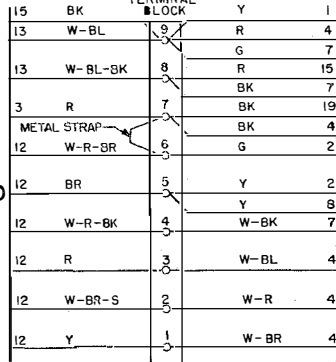


CABLE 145280
 (SEE NOTE 3)

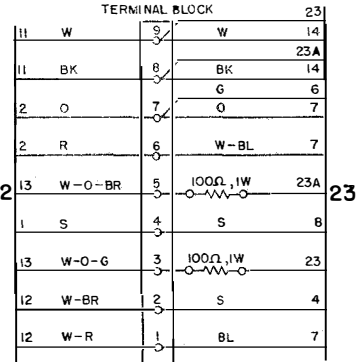
NOTES:

- UNIT WIRED FOR 115 VOLTS, 60°C A.C. POWER INPUT ONLY.
- MOUNT "K" RESISTOR WITH 1800Ω TERMINALS NEAR MOUNTING PLATE. USE 60026 SLEEVING ON TERMINALS, 3/4 IN. LONG.

(TA)
 TERMINAL
 BLOCK



(PE)
 POWER
 TERMINAL
 BLOCK



- CONNECT CABLE 145280 FIRST AND RECTIFIER ASSEMBLY NEXT.