

BELL SYSTEM PRACTICES
TELETYPEWRITER STATION
INSTALLATION AND MAINTENANCE
(REPRODUCED FROM DWG.
20909-134)

SECTION P 90.997
ISSUE D MARCH 1943
LONG LINES DEPT.

Dist. Class. 600AC

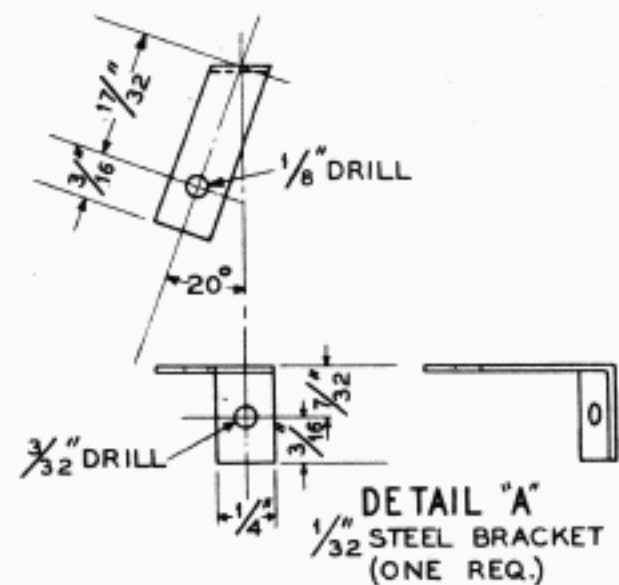
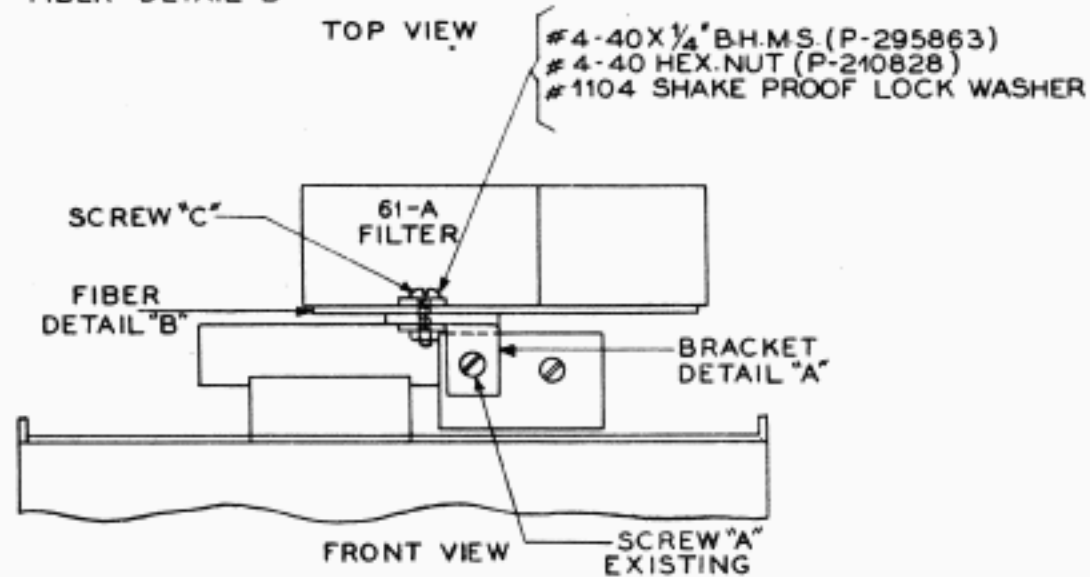
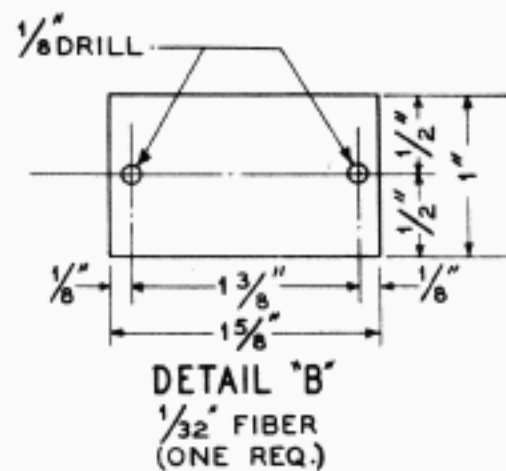
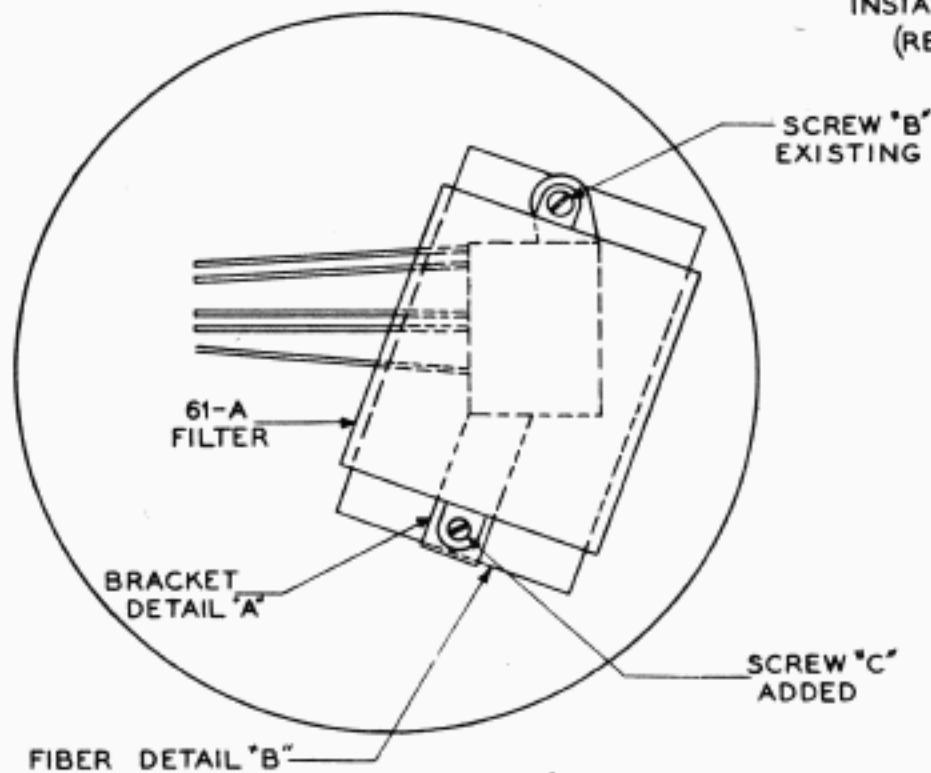


FIG. 1

MOD. OF 5LA DIAL
(DIAL PARTIALLY SHOWN)

NOTES

1. FOR 6000-J DIAL MTG. REMOVE AND DISCARD THE CONTACT SPRING ASSEMBLY FROM THE 34J DIAL MOUNTING.
2. FOR 6000-D DIAL MOUNTING. REMOVE AND DISCARD FIBER TERM. STRIP FROM 25-B CONN. BLOCK AND REMOVE AND DISCARD THE CONTACT SPRING ASSEMBLY FROM THE 34-D DIAL MTG.
3. ASSEMBLE LOCALLY MADE DETAILS A AND B AND THE 61-A FILTER AS SHOWN IN FIG. 1

SWITCHING ARRANGEMENTS

60 TYPE SELECTOR
SELECTOR CALLING ARRANGEMENT
MOD. OF 5LA DIAL FOR
MOUNTING 61-A FILTER