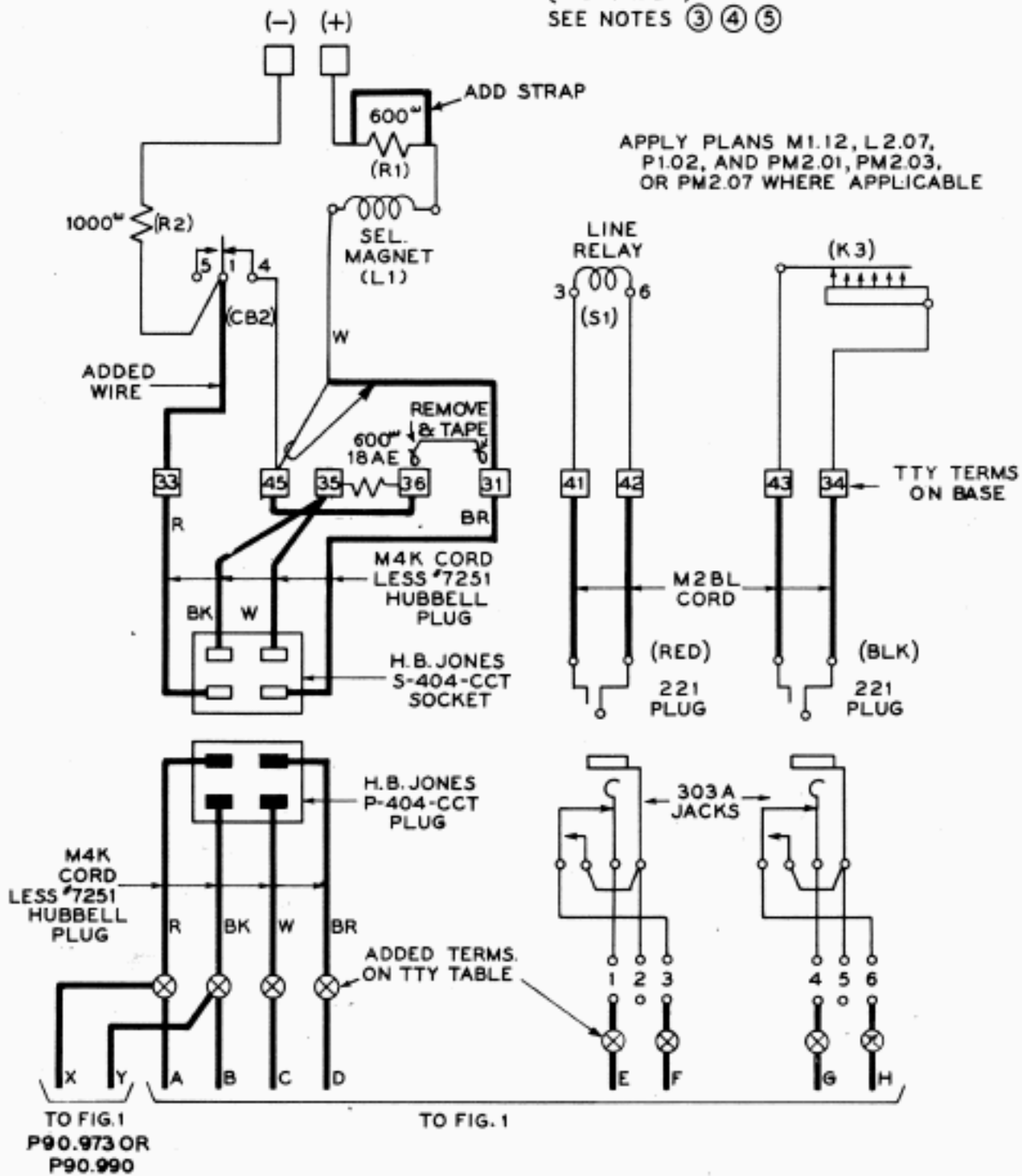
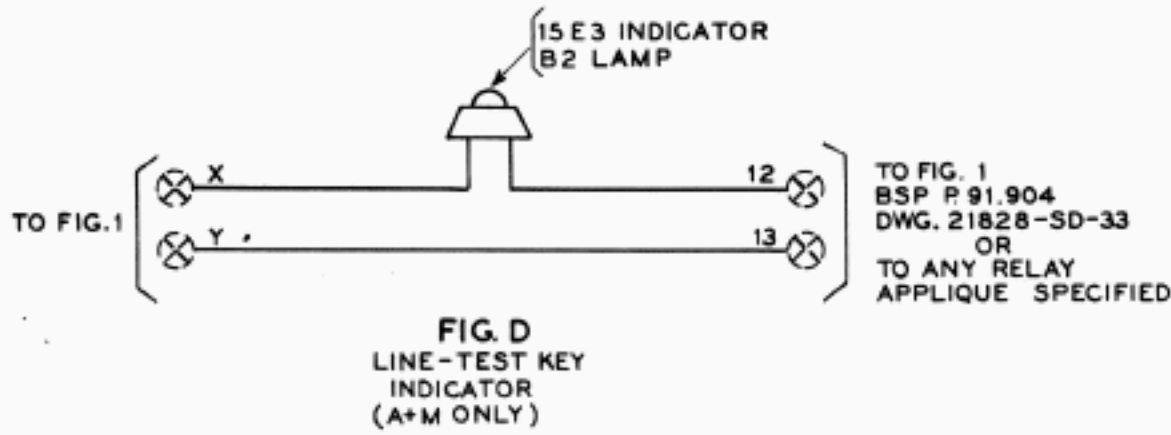
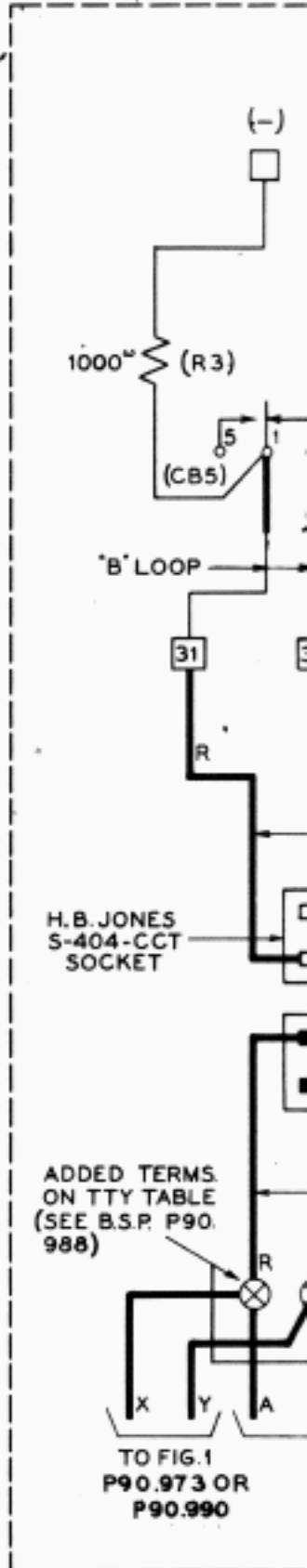


**NO. 14 TYPE TELETYPEWRITER**  
 (14B TABLE)  
 SEE NOTES ③ ④ ⑤

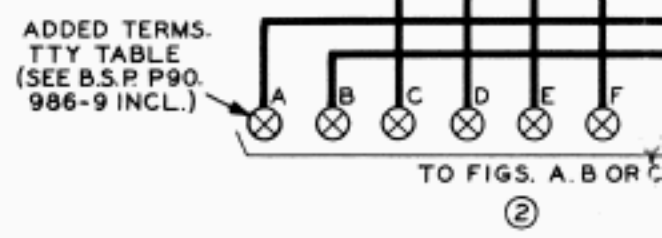
APPLY PLANS M1.12, L2.07,  
 P1.02, AND PM2.01, PM2.03,  
 OR PM2.07 WHERE APPLICABLE



**FIG. A**  
(A+M ONLY)

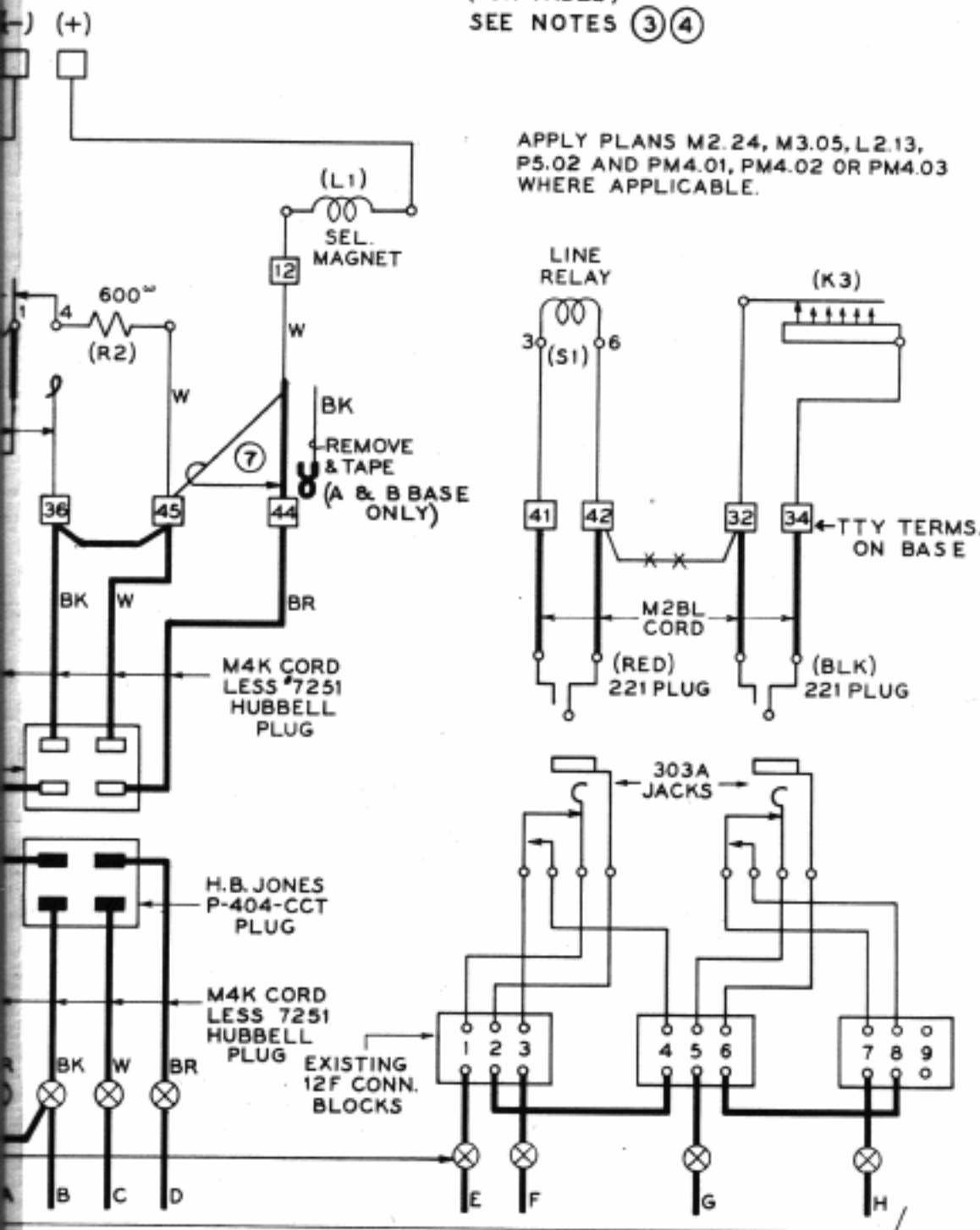


**FIG. D**  
 LINE-TEST KEY  
 INDICATOR  
 (A+M ONLY)



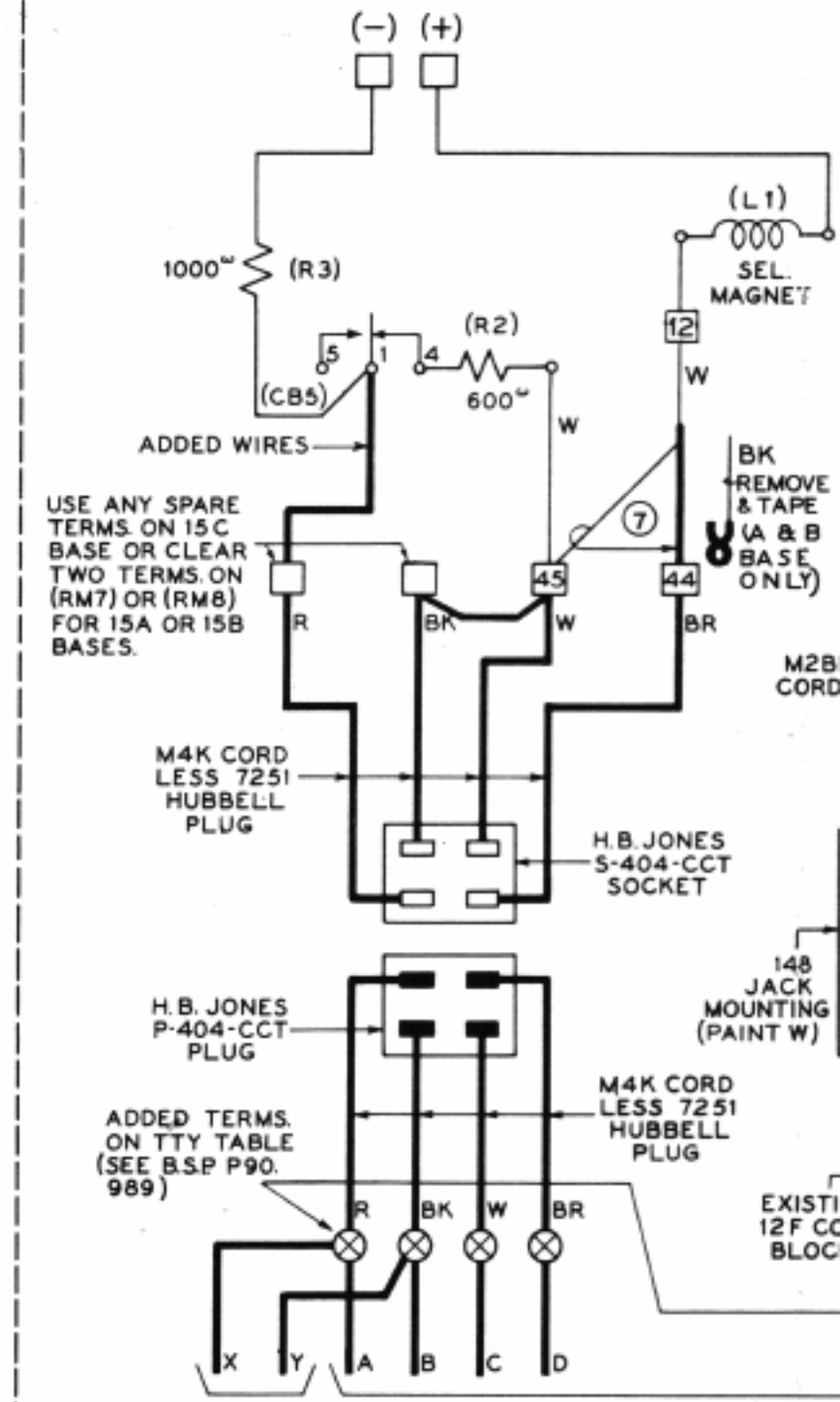
**NO. 15 TYPE TELETYPEWRITER**  
(15N TABLE)  
SEE NOTES ③ ④

APPLY PLANS M2.24, M3.05, L2.13,  
P5.02 AND PM4.01, PM4.02 OR PM4.03  
WHERE APPLICABLE.



TO FIG. 1

**FIG. B**  
(A+M ONLY)



USE ANY SPARE  
TERMS. ON 15C  
BASE OR CLEAR  
TWO TERMS. ON  
(RM7) OR (RM8)  
FOR 15A OR 15B  
BASES.

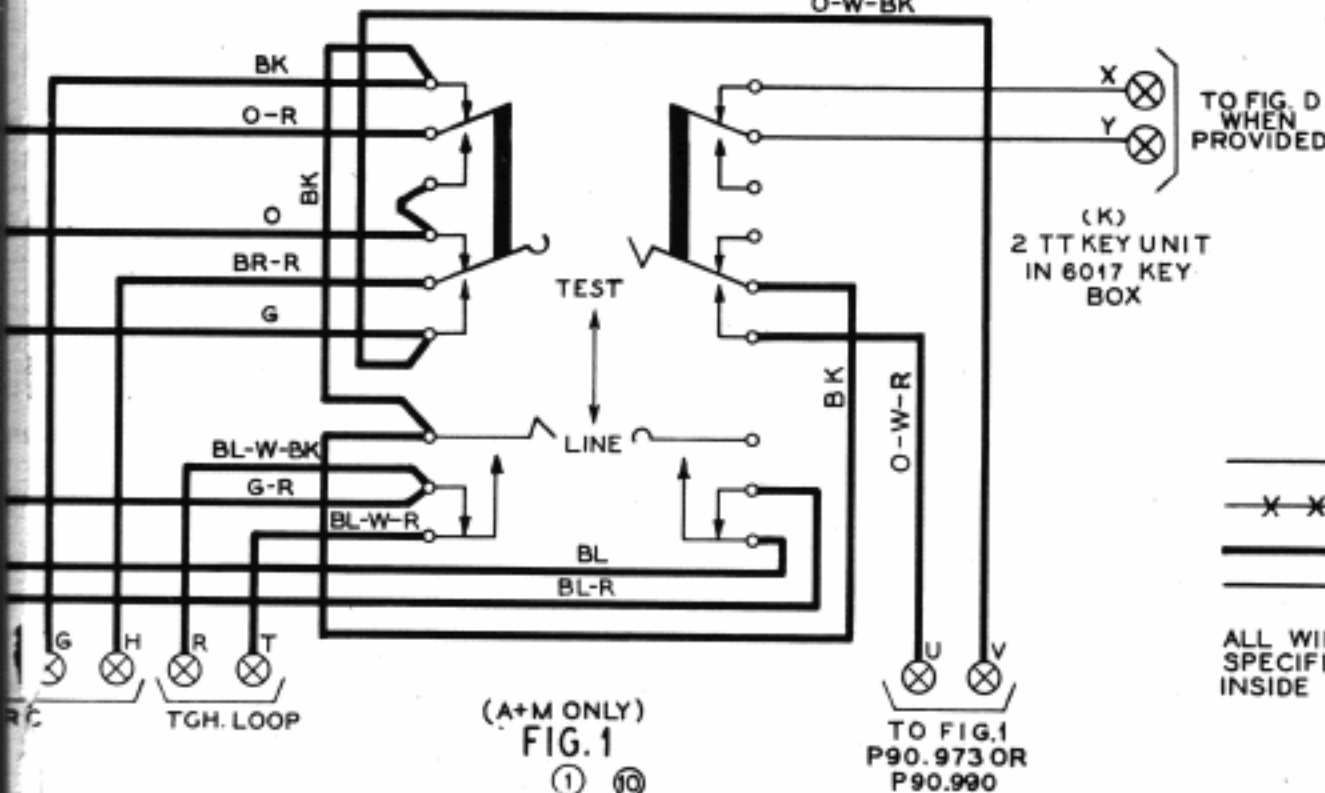
ADDED TERMS.  
ON TTY TABLE  
(SEE BSP P90.  
989)

TO FIG. 1  
P90.973 OR  
P90.990

TO FIG. 1

**FIG. C**  
(A+M ONLY)

**EXTERNAL LINE-TEST KEY (SHOWN FOR TEST)**



(A+M ONLY)  
**FIG. 1**

① ⑩

TO FIG. 1  
P90.973 OR  
P90.990

**- KEY -**

- EXISTING WIRES
- X - REMOVED WIRES
- ADDED OR CHANGED WIRES.

ALL WIRING UNLESS OTHERWISE  
SPECIFIED TO BE 22 GA.  
INSIDE TELEPHONE WIRING

THE NO. 14, 15 OR 19 TYPE  
AS INDICATED ON THIS  
FEATURES:

- A. WHEN EXTERNAL LINE-TEST KEY IS USED, RELAY CONTACTS SHORTED BY APPLIQUE CIRCUIT IN TELETYPEWRITER WILL BE OPENED BY APPLIQUE CIRCUIT.
- B. WHEN EXTERNAL LINE-TEST KEY IS USED, RELAY CONTACTS SHORTED BY APPLIQUE CIRCUIT IN TELETYPEWRITER WILL BE OPENED BY APPLIQUE CIRCUIT. ALSO, THE LOOP CONNECTIONS WILL BE OPENED BY APPLIQUE CIRCUIT.

Dist. Class. 600 AC

**NO. 19 TYPE TELETYPEWRITER**  
 (19A TABLE)  
 SEE NOTES ③ ④

APPLY PLANS M2.10 & M3.01 FOR A & B BASES  
 M2.10, M2.16 & M3.04 FOR C BASES ALSO  
 P6.01 & PM3.01, PM3.02 OR PM3.03 WHERE  
 APPLICABLE.

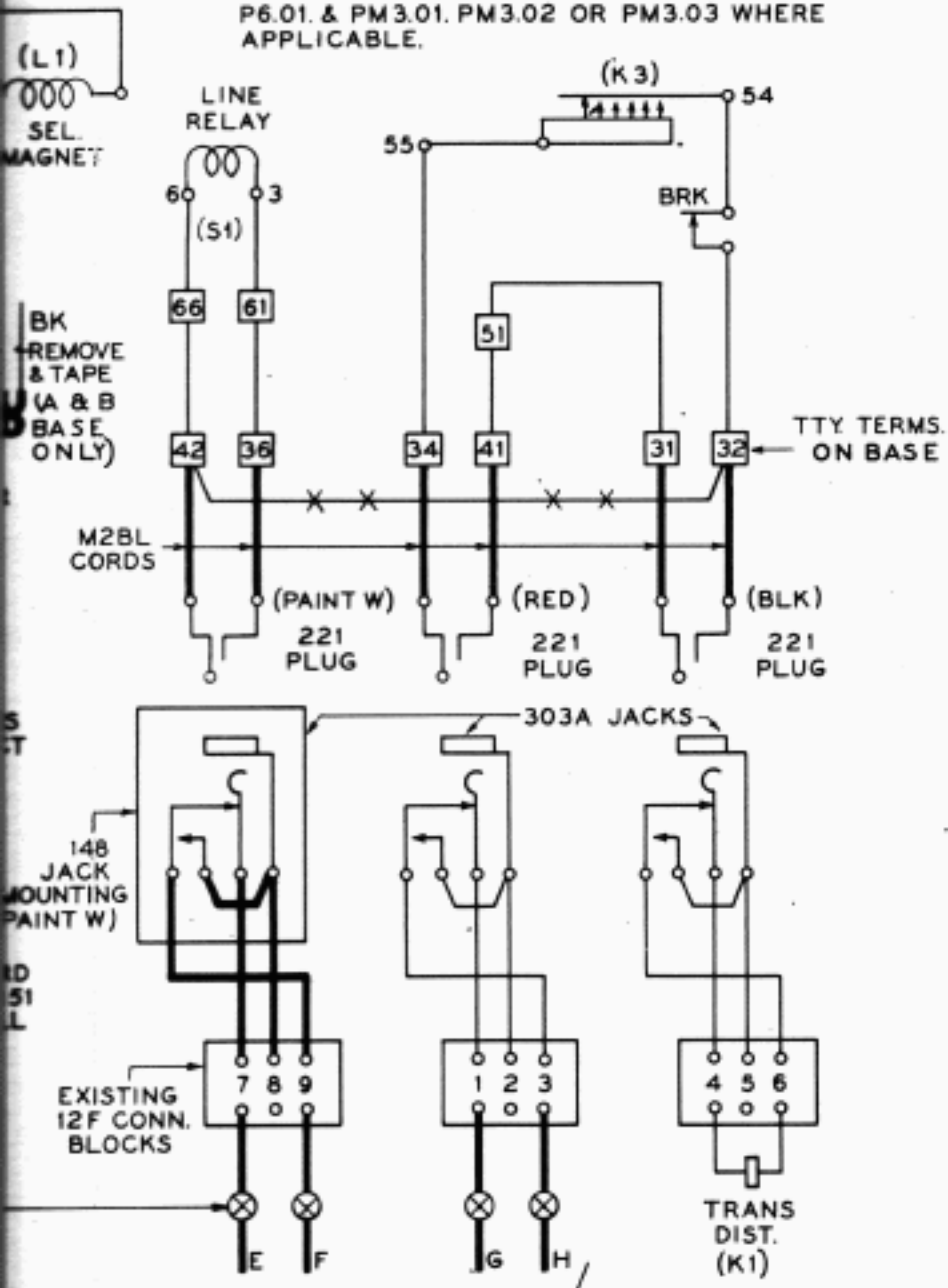


FIG. 1

**FIG. C**  
 (A+M ONLY)

**FEATURES**

NO. 19 TYPE TELETYPEWRITER WHEN MODIFIED  
 ACCORDING TO THIS DRAWING WILL HAVE THE FOLLOWING

WHEN LINE-TEST KEY IS IN "LINE" POSITION: (1) THE  
 TELETYPEWRITER WILL BE INOPERATIVE (KEYBOARD AND LINE  
 CIRCUITS SHORT-CIRCUITED) IF  
 TELETYPEWRITER IS IN THE "STATION OFF" CONDITION. (2) THE  
 TELETYPEWRITER WILL BE OPERATIVE IF THE  
 TELETYPEWRITER IS IN THE "STATION ON" CONDITION.

WHEN LINE-TEST KEY IS IN "TEST" POSITION, THE  
 TELETYPEWRITER WILL BE OPERATIVE LOCALLY INDEPENDENT  
 OF THE OPERATION OF THE APPLIQUE CIRCUIT  
 LOOP CONNECTION AT THE KEY WILL BE SHORT-CIRCUITED.

**NOTES**

- ① KEY TO BE MOUNTED ON 14, 15 OR 19 TYPE TELETYPEWRITER TABLE. KEY TO CONSIST OF 2 TT KEY UNIT IN A 6017 KEY BOX. (REFER TO B.S.P. P90.988 AND P90.989 FOR MOUNTING ARRANGEMENT ON 15 N AND 19 A TABLE RESPECTIVELY)
- ② USE FIG. A, B OR C FOR A 14, 15 OR 19 TYPE TELETYPEWRITER RESPECTIVELY.
- ③ MODIFY LINE-TEST KEY ON KEYBOARD BY ADDING P-356557 PLUNGER. LINE-TEST KEY LOCKED IN LINE POSITION.
- ④ USE STANDARD POWER WIRING ARRANGEMENTS FOR 14, 15 AND 19 TYPE TELETYPEWRITERS AND TABLES.
- ⑤ IF SPARK KILLER IS REQUIRED ACROSS KEYBOARD CONTACTS OF 14 TYPE TTY. PROVIDE SAME BY USE OF APPROPRIATE WAVE SHAPING SET.
- ⑦ SHOWN FOR A AND B BASES. IN C BASES MOVE RED WIRE FROM TERM 45 TO TERM 44.
- ⑩ ADJUST KEY UNIT IN ACCORDANCE WITH BSP B 432.018.
- ⑪ IF FIG. D IS REQUIRED PROVIDE A 6017 AB OR 6017 R KEY INSTEAD OF THE 6017 E KEY FOR THE 2 TT KEY UNIT. THIS IS TO OBTAIN A SUFFICIENT NUMBER OF TERMINALS IN THE KEYBOX. AS AN ALTERNATIVE INSTALL A 11B CONN. BLOCK ADJACENT TO THE KEY FOR THE ADDED TERMINALS.

**MATERIAL**

- LINE-TEST KEY  
 1-2TT KEY UNIT (SEE NOTE 10).  
 1-6017E KEY (DISCARD UNIT) (OMIT IF FIG. D IS USED).

- FIG. A OR B  
 1-M2BL CORD  
 1-221 PLUG (BLACK)  
 2-M4K CORDS (DISCARD #7251 HUBBELL PLUGS)  
 1-H.B.JONES P-404-CCT PLUG  
 1-H.B.JONES S-404-CCT SOCKET

- FIG. C  
 1-M2BL CORD  
 1-221 PLUG (BLACK)  
 1-148 JACK MOUNTING  
 1-303A JACK  
 2-M4K CORDS (DISCARD #7251 HUBBELL PLUGS)  
 1-H.B.JONES P-404-CCT. PLUG  
 1-H.B.JONES S-404-CCT. SOCKET

- FIG. D  
 1-15E3 INDICATOR  
 1-B2 LAMP  
 1-6017 AB OR 6017 R KEY (DISCARD UNIT ⑪)  
 1-11B CONN. BLOCK ⑪  
 1-4G LAMP STANDARD  
 1-DETAIL 5 PER BSP P. 90.985

**64-C-1 SELECTOR SYSTEM**

TELETYPEWRITER MODIFICATIONS AND CONNECTIONS  
 NO. 14, 15 AND 19 TYPE TELETYPEWRITER SETS  
 WITH EXTERNAL LINE-TEST KEY FOR USE  
 WITH APPLIQUE PER P90.990 OR P90.973  
 WIRING AND SCHEMATIC

NO. 14 TYPE TELETYPEWRITER  
(14 B TABLE)  
SEE NOTES ③ ④ ⑤

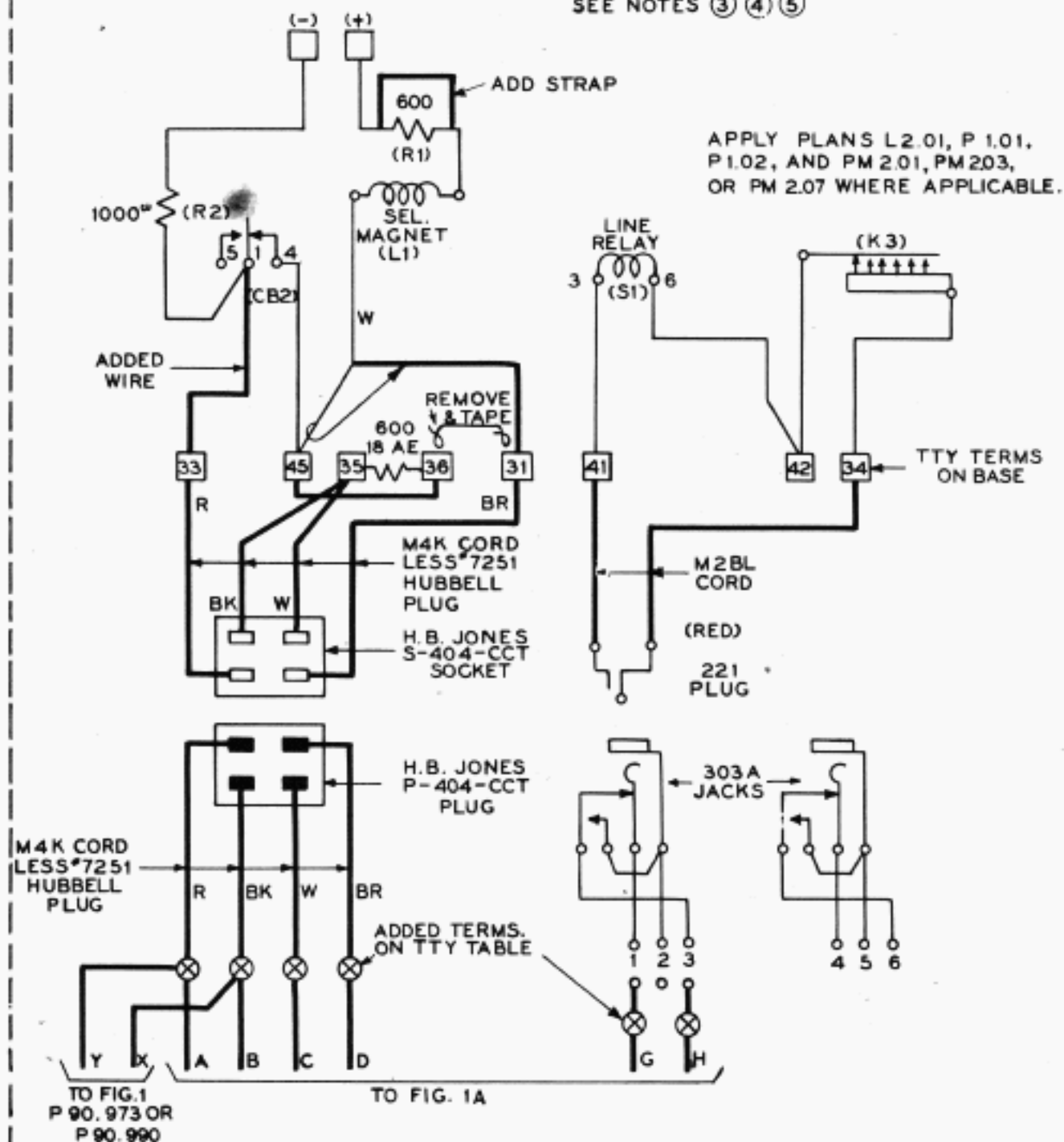
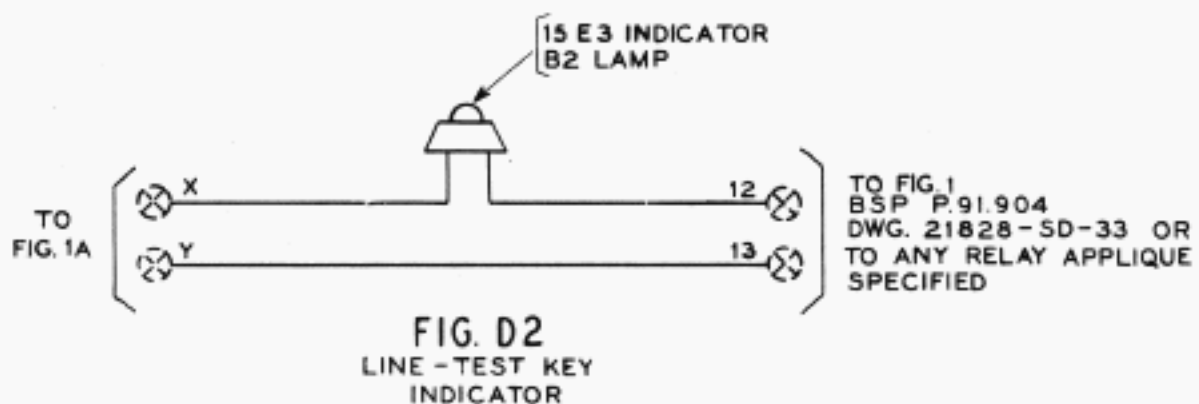
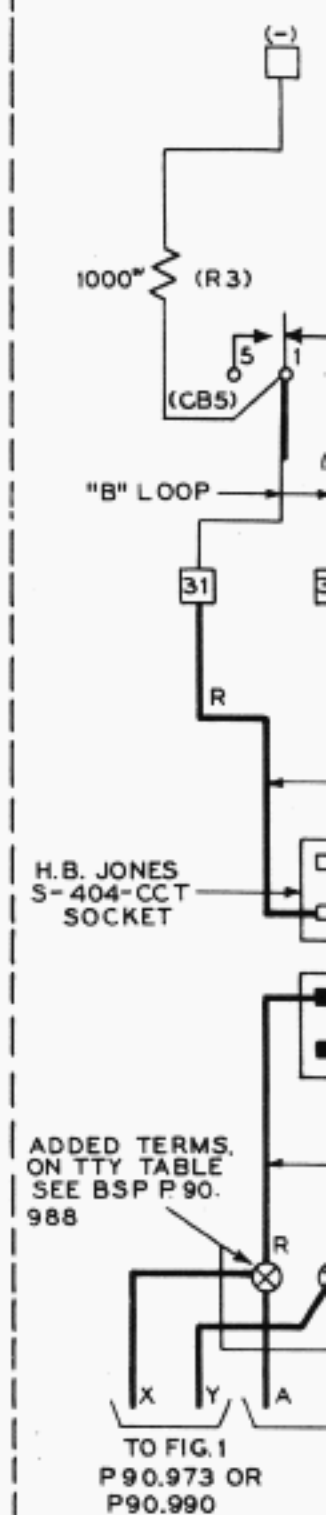


FIG. A2



ADDED TERMS.  
TTY TABLE  
SEE BSP P.90  
986-9 INCL.

TO FIGS. A2, B2 OR C2

NO. 15 TYPE TELETYPEWRITER  
(15 N TABLE)  
SEE NOTES ③ ④

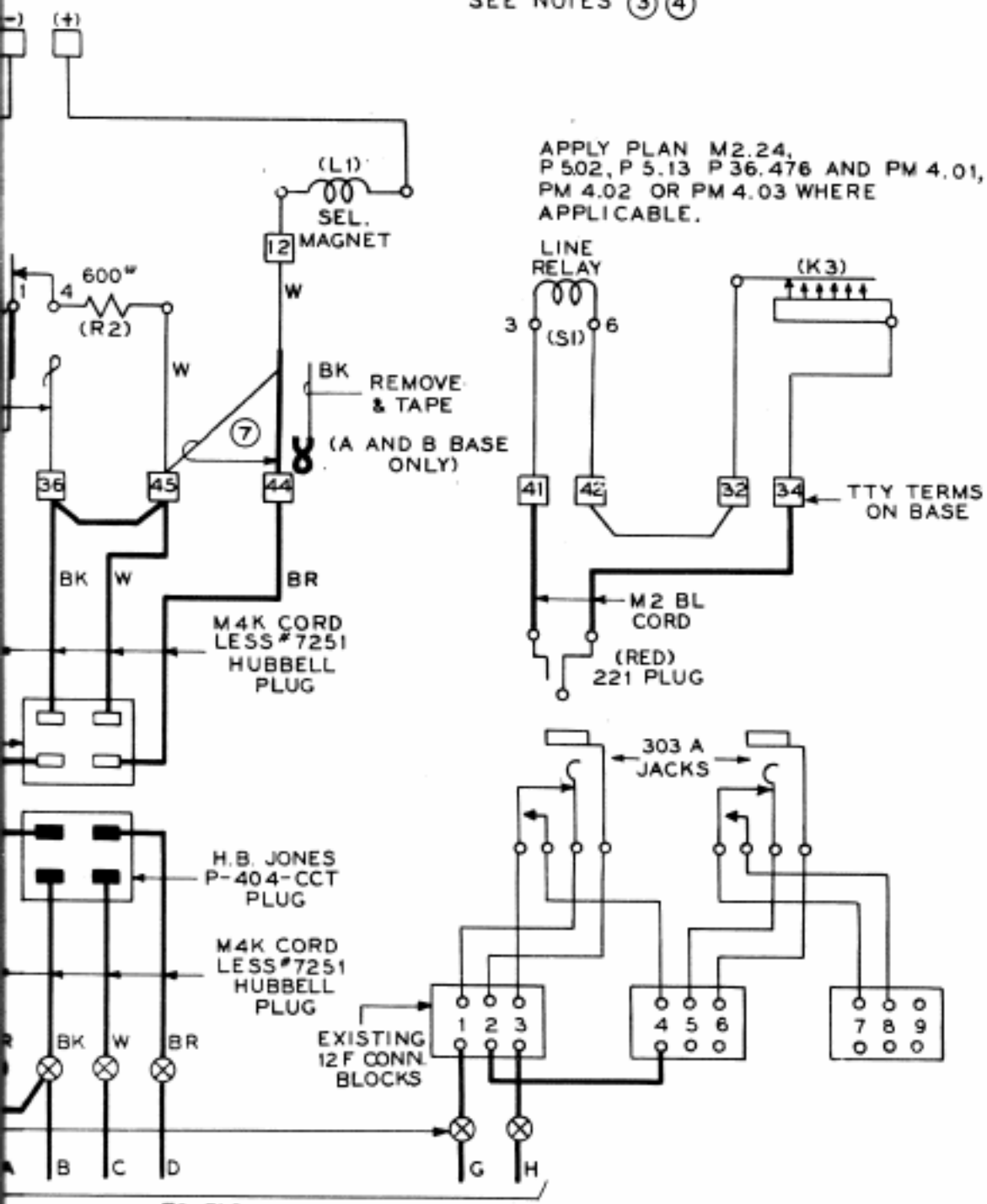


FIG. B2

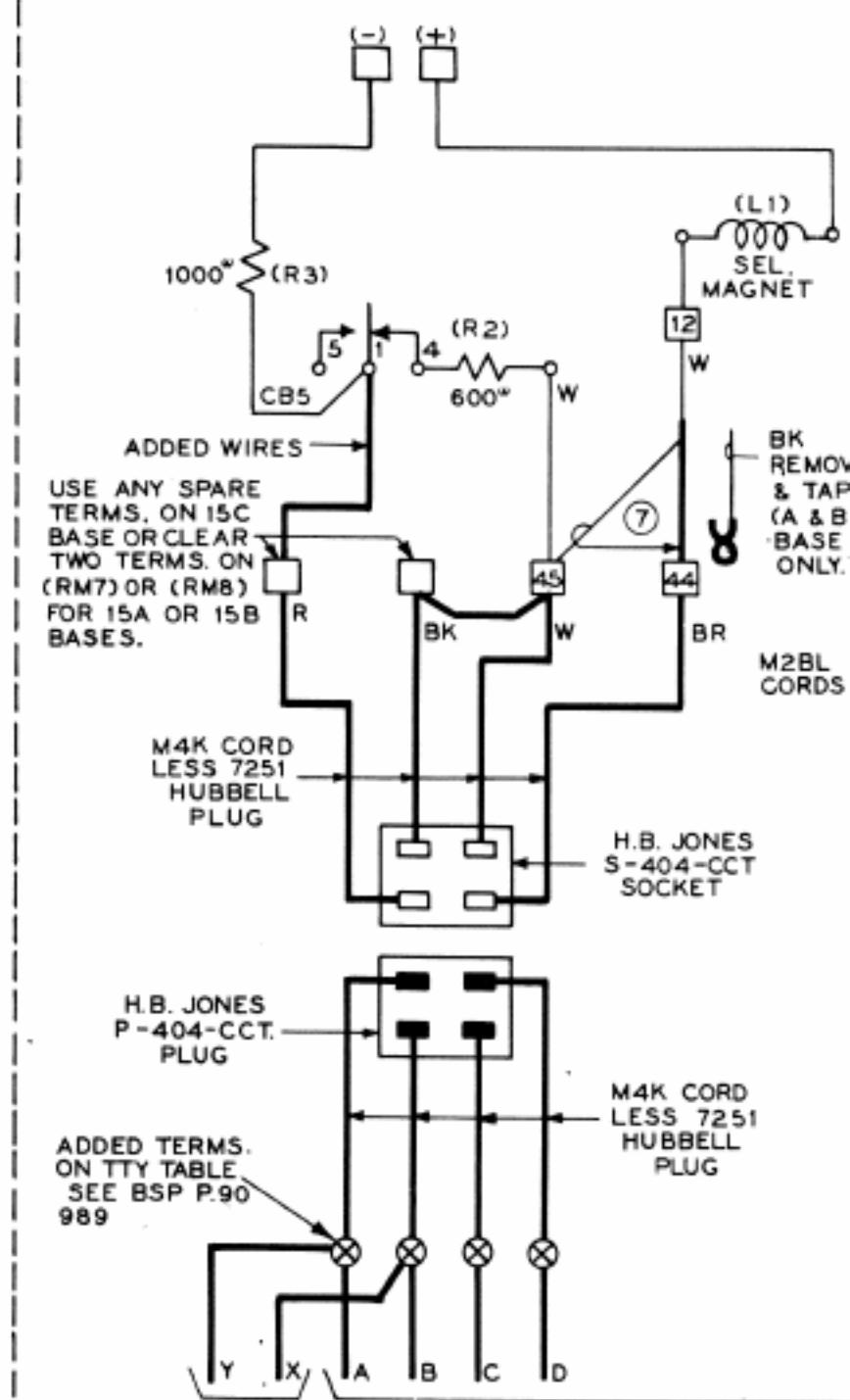


FIG.

EXTERNAL LINE-TEST KEY (SHOWN FOR TEST)  
O-W-BK

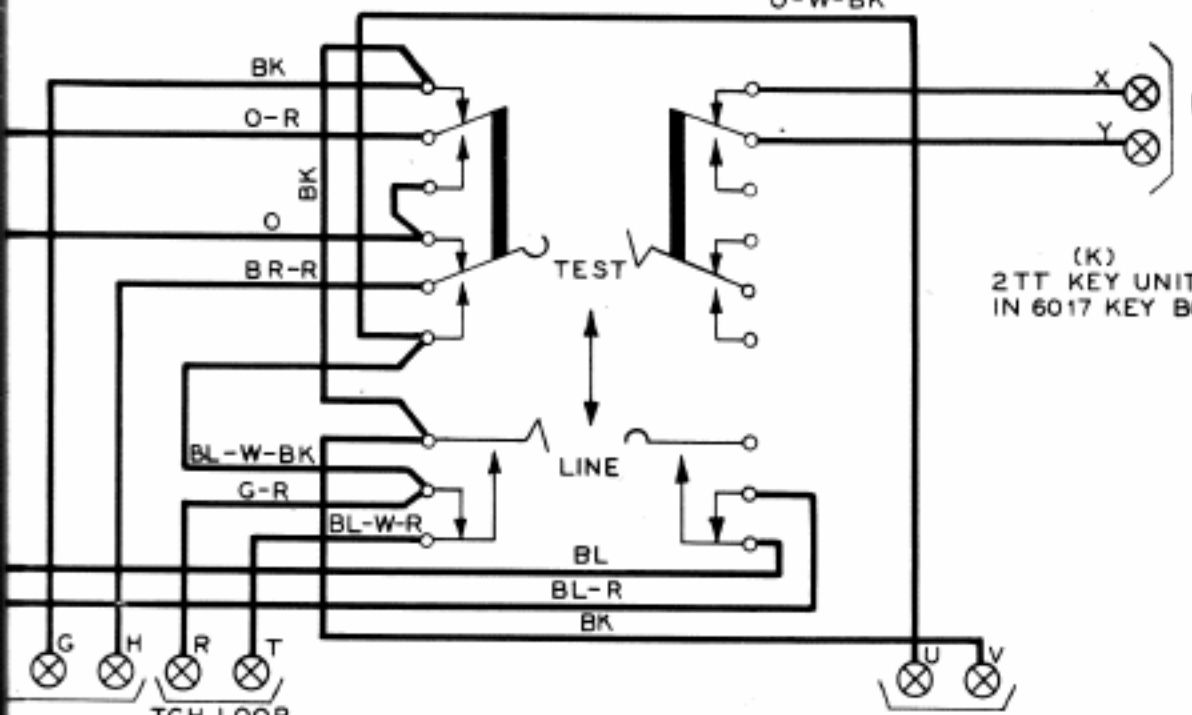


FIG. 1A

① ⑩

TO FIG. D2  
WHEN PROVIDED

(K)

2TT KEY UNIT  
IN 6017 KEY BOX

- KEY -

- EXISTING WIRES
- X-X- REMOVED WIRES
- ADDED OR CHANGED WIRES

ALL WIRING UNLESS OTHERWISE  
SPECIFIED TO BE 22 GA. INSIDE  
TELEPHONE WIRING.

THE NO.  
AS INDI  
FEATUR

A. WHEN E  
TELETY  
RELAY  
IN THE  
WILL B  
ON\* CO

B. WHEN E  
TELETY  
OF TH  
CONNE



### NO. 19 TYPE TELETYPEWRITER (19A TABLE) SEE NOTES ③ ④

APPLY PLAN M2.16 FOR C BASES ALSO  
P 6.01 & PM 3.01, PM 3.02 OR PM 3.03  
WHERE APPLICABLE.

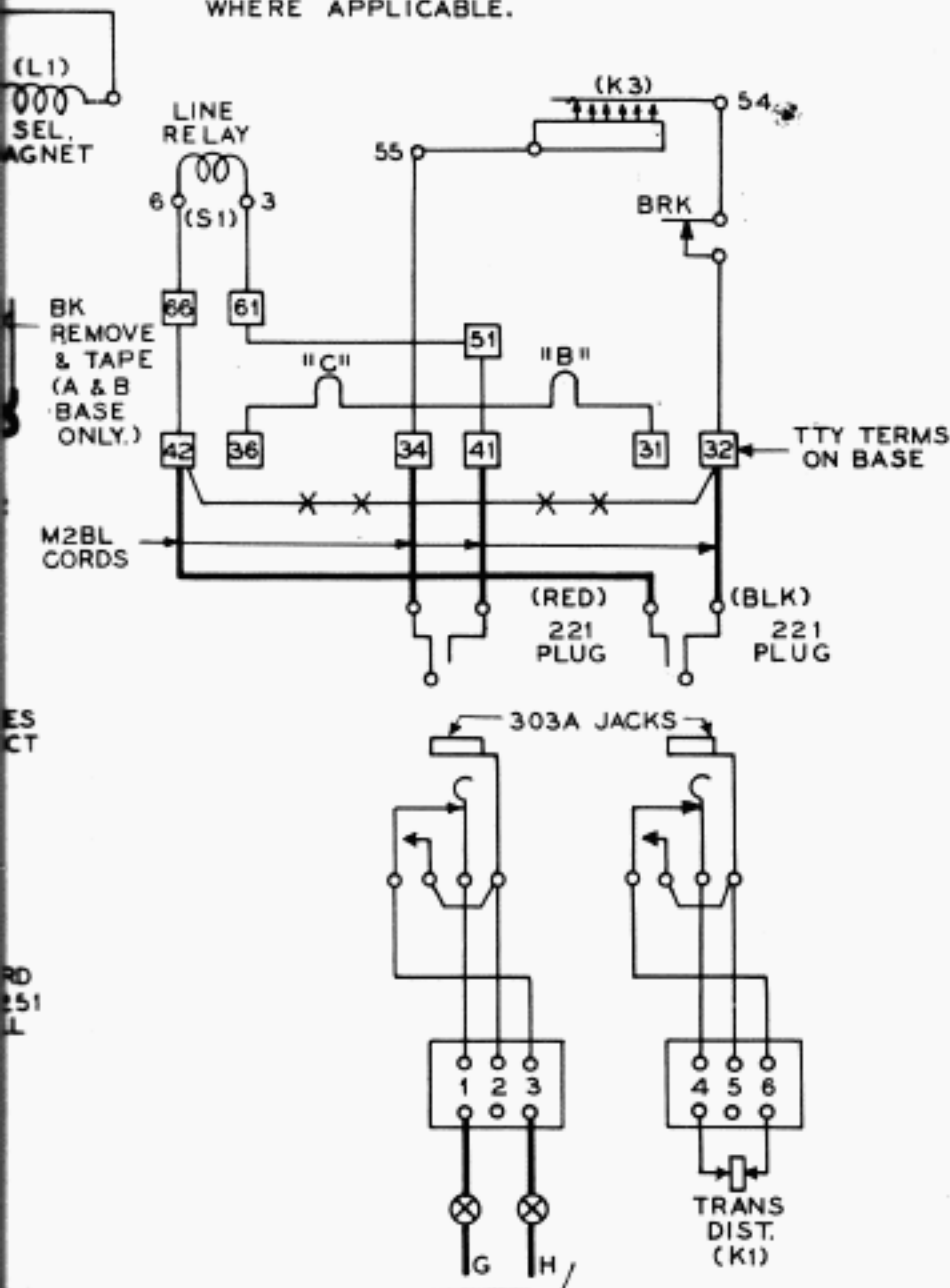


FIG. 1A

FIG. C2

#### FEATURES

THE NO. 14, 15 OR 19 TYPE TELETYPEWRITER WHEN MODIFIED AS INDICATED ON THIS DRAWING WILL HAVE THE FOLLOWING FEATURES:

1. WHEN EXTERNAL LINE-TEST KEY IS IN "LINE" POSITION: 1 THE TELETYPEWRITER WILL BE INOPERATIVE (KEYBOARD AND LINE RELAY CONTACTS SHORT-CIRCUITED) IF APPLIQUE CIRCUIT IS IN THE "STATION OFF" CONDITION. 2 THE TELETYPEWRITER WILL BE OPERATIVE IF THE APPLIQUE CIRCUIT IS IN THE "STATION ON" CONDITION.
3. WHEN EXTERNAL LINE-TEST KEY IS IN "TEST" POSITION, THE TELETYPEWRITER WILL BE OPERATIVE LOCALLY INDEPENDENT OF THE CONDITION OF THE APPLIQUE CIRCUIT. ALSO, THE LOOP CONNECTION AT THE KEY WILL BE SHORT-CIRCUITED.

#### NOTES

- 1 KEY TO BE MOUNTED ON 14, 15 OR 19 TYPE TELETYPEWRITER TABLE. KEY TO CONSIST OF 2TT KEY UNIT IN A 6017 KEY BOX. (REFER TO B.S.P. P.90.988 AND P.90.989 FOR MOUNTING ARRANGEMENT ON 15N AND 19A TABLE RESPECTIVELY).
- 2 USE FIG. A B OR C FOR A 14 15 OR 19 TYPE TELETYPEWRITER RESPECTIVELY.
- 3 PLACE BUILT IN PLUNGER TYPE L-T IN LINE CONDITION BY ADDING P-356557 PLUNGER, AND LEVER TYPE KEY BY SHIFTING BLOCKING PAWL.
- 4 USE STANDARD POWER WIRING ARRANGEMENTS FOR 14, 15 AND 19 TYPE TELETYPEWRITERS AND TABLES.
- 5 IF SPARK KILLER IS REQUIRED ACROSS KEYBOARD CONTACTS OF 14 TYPE TTY. PROVIDE SAME BY USE OF APPROPRIATE WAVE SHAPING SET.
7. SHOWN FOR A AND B BASES IN C BASES MOVE RED WIRE FROM TERM 45 TO TERM 44.
10. ADJUST KEY UNIT IN ACCORDANCE WITH BSP B.432.018.
- 11 IF FIG. D IS REQUIRED PROVIDE A 6017AB OR 6017R KEY INSTEAD OF THE 6017E KEY FOR THE 2TT KEY UNIT. THIS IS TO OBTAIN A SUFFICIENT NUMBER OF TERMINALS IN THE KEYBOX. AS AN ALTERNATE INSTALL A 11B CONN. BLOCK ADJACENT TO THE KEY FOR THE ADDED TERMINALS.

#### MATERIAL

LINE-TEST KEY  
1-2TT KEY UNIT (SEE NOTE 10)  
1-6017E KEY (DISCARD UNIT) (OMIT IF FIG. D2 IS USED)

FIG. A2 OR B2  
1-M2BL CORD  
1-221 PLUG (RED)  
2-M4K CORDS (DISCARD #7251 HUBBELL PLUGS)  
1-H.B. JONES P-404-CCT PLUG  
1-H.B. JONES S-404-CCT SOCKET

FIG. C2  
2-M2BL CORDS  
2-221 PLUG (ONE RED, ONE BLACK)

2-M4K CORDS (DISCARD #7251 HUBBELL PLUGS)  
1-H.B. JONES P-404-CCT. PLUG  
1-H.B. JONES S-404-CCT. SOCKET

FIG. D2  
1-15E3 INDICATOR  
1-B2 LAMP  
1-6017 AB OR 6017R KEY (DISCARD UNIT) ⑪  
1-11B CONN. BLOCK ⑪  
1-4G LAMP STANDARD  
1-DETAIL 5 PER BSP P90.985

#### 64-C-1 SELECTOR SYSTEM

TELETYPEWRITER MODIFICATIONS AND CONNECTIONS  
NO. 14 15 AND 19 TYPE TELETYPEWRITER SETS  
WITH EXTERNAL LINE-TEST KEY FOR  
USE WITH APPLIQUE PER P.90.990 OR P.90.973  
WIRING AND SCHEMATIC