

552-A KEY (LOCKING) (13)  
 148 JACK MTG.  
 BUZZER DISABLING KEY

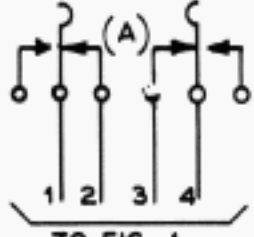


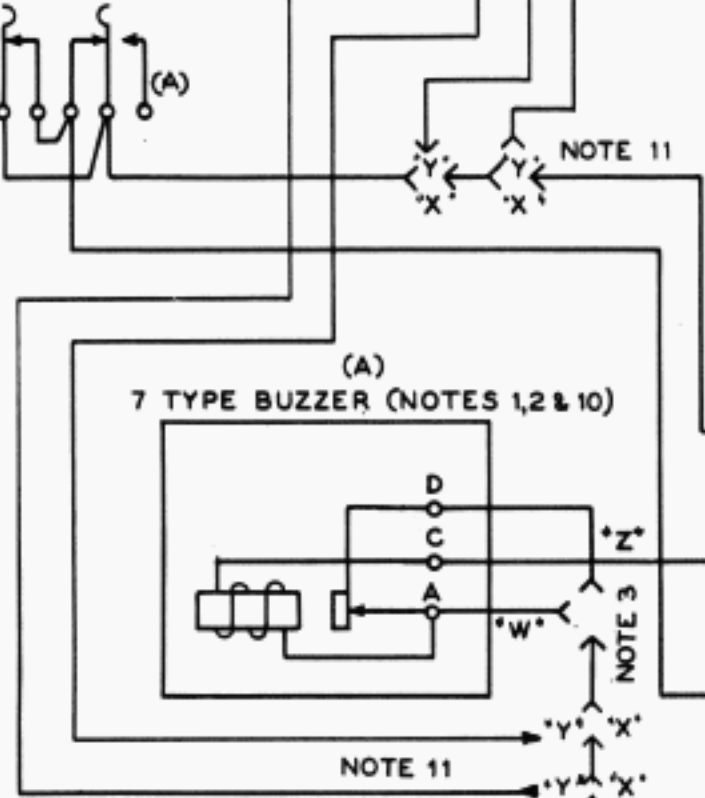
FIG. A

NOTE 1  
 547-B KEY (NON LOCK)  
 148 JACK MTG.  
 MANUAL UNLOCK  
 OF BUZZER



TO FIG. 1

TO FIG. A



NOTES  
 4, 5, 8

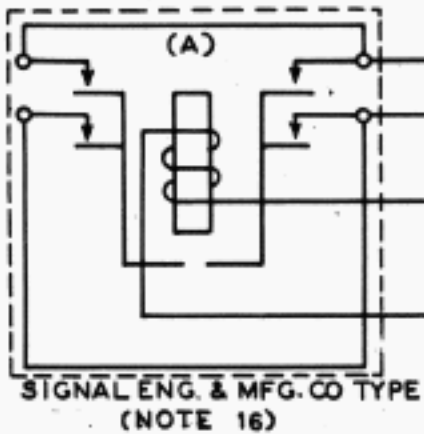


FIG. 1

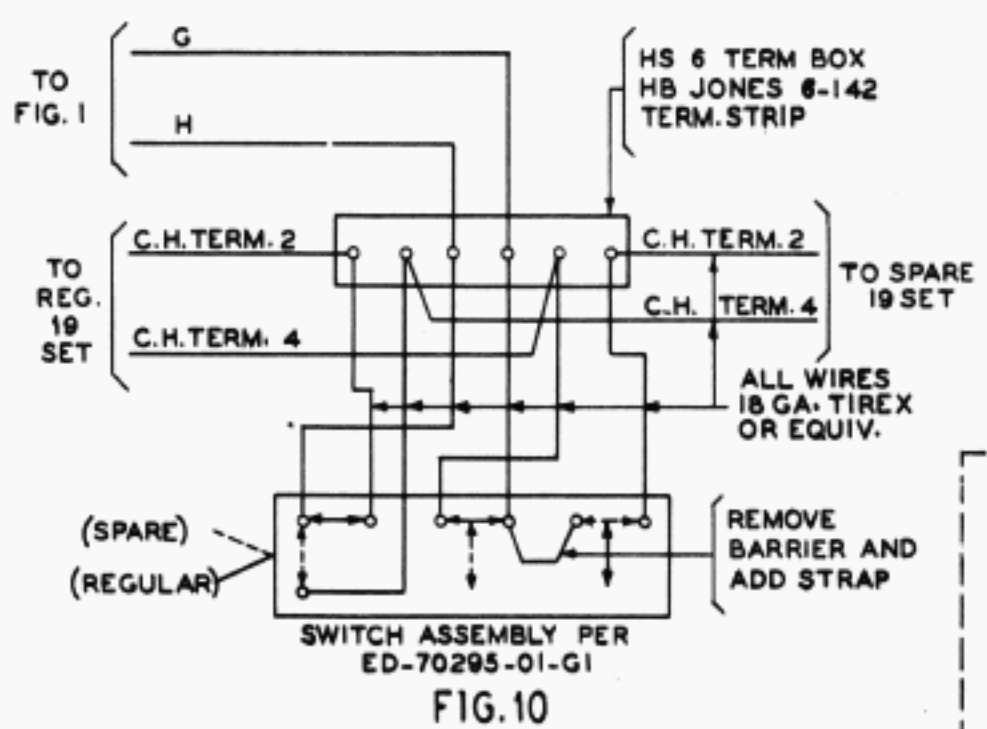
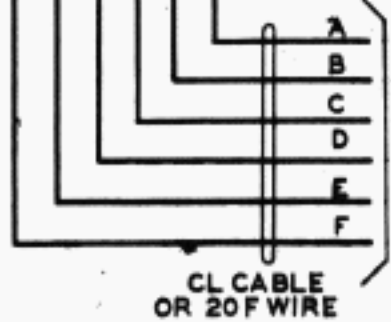


FIG. 10

TRANSFER SWITCH CIRCUIT  
 ON REGULAR 19A TABLE  
 (REQUIRED ONLY IF A SPARE SET IS  
 EMPLOYED)

TO FIG 9 FOR 102A ASSEMBLY  
 OR  
 TO FIG 3 OR FIG 6 FOR 15 TTY  
 ON 15N TABLE  
 OR  
 CONNECT ACROSS CROUSE  
 HINDS CONNECTING BLOCK  
 TERMINALS 2 AND 4 OF  
 19 A TABLE SO AS TO  
 PARALLEL TABLE POWER  
 SWITCH (NOTE 17)  
 OR FIG. 10

TO FIG. 11 OR FIG. 12 SINCE  
 FIGS. 3 & 6 ARE NOW A & M



TO FIG. 2

TO FIG. 1

REL  
 (P)  
 NOTE

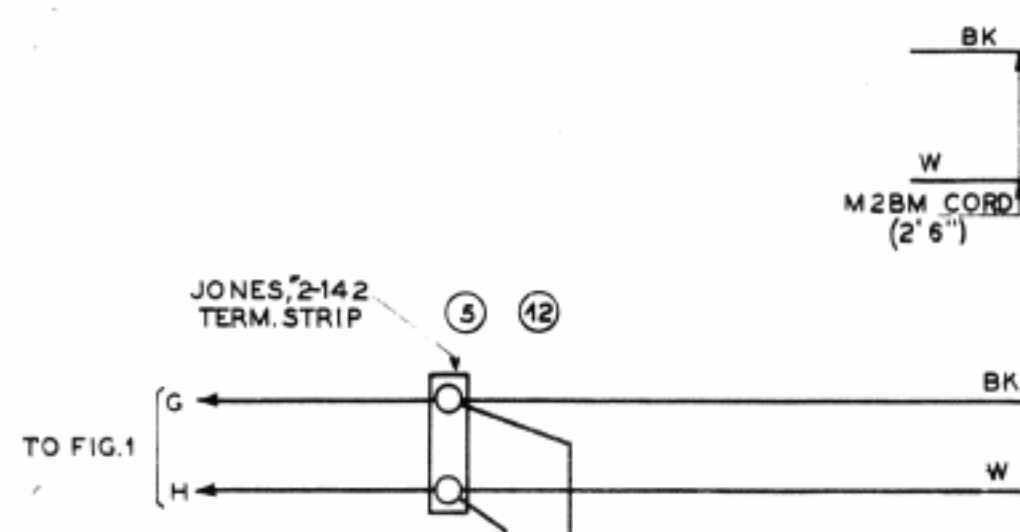
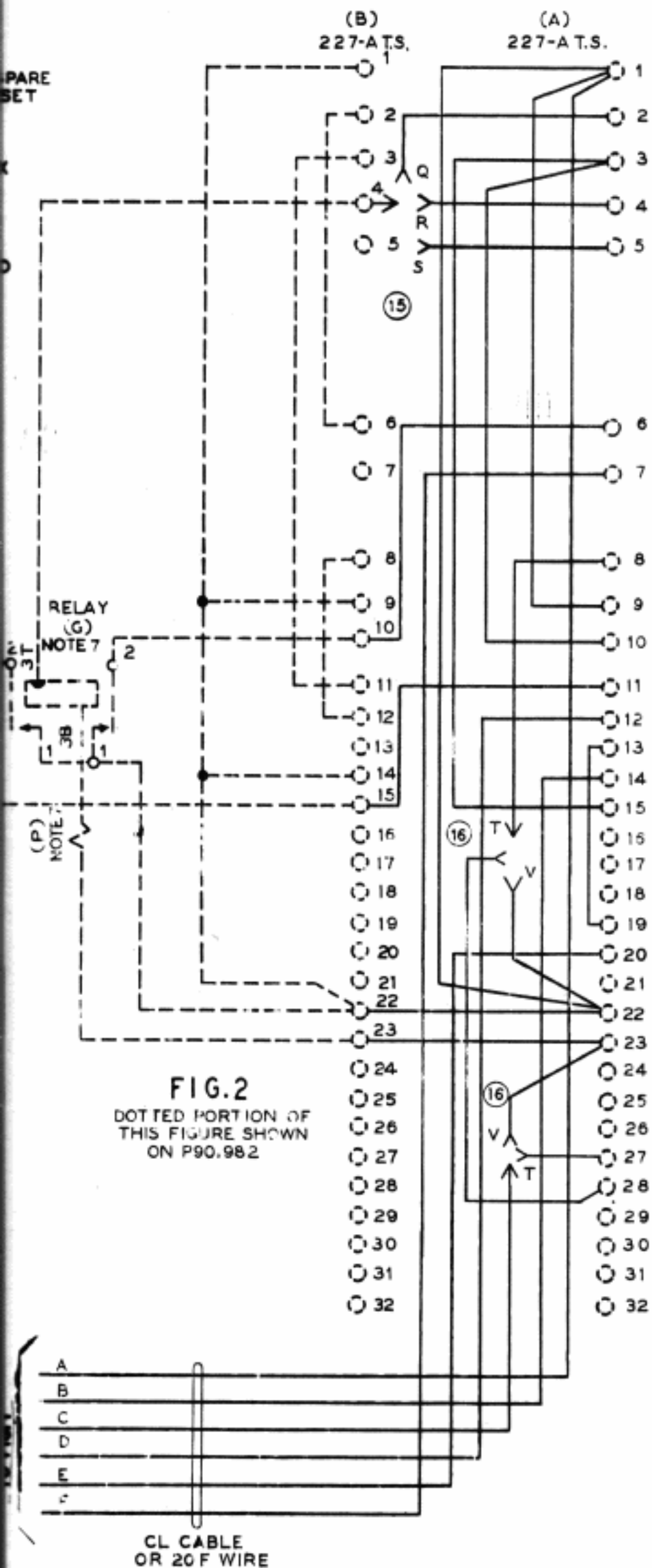


FIG. 3 (A&M) 14  
POWER CONNECTION WITH AUXILIARY SWITCH CONTROL

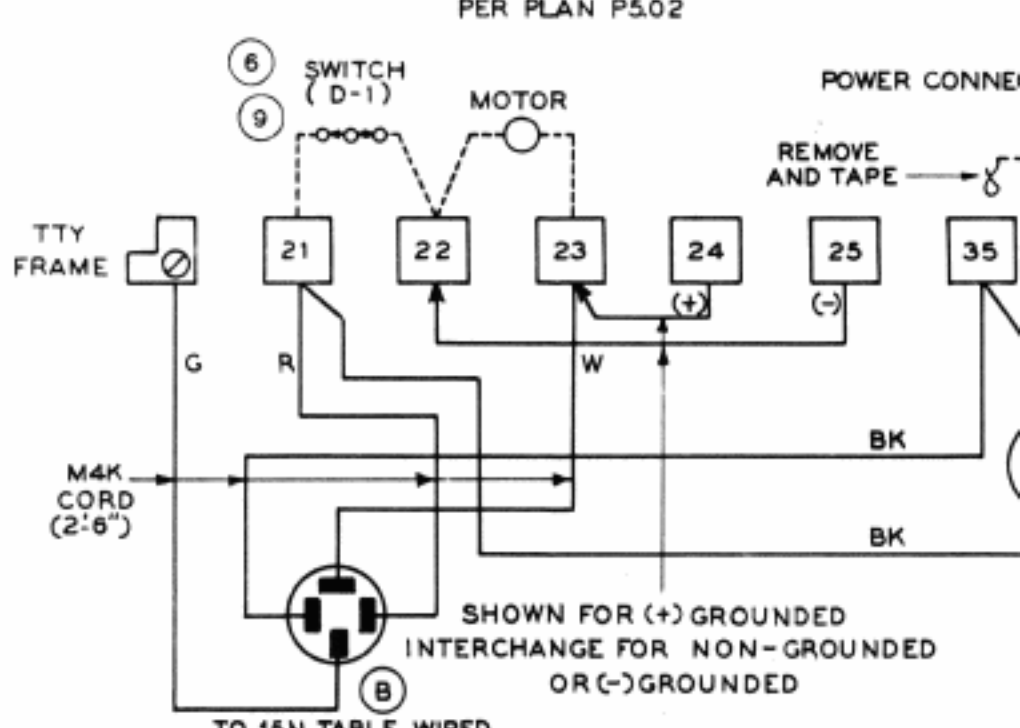
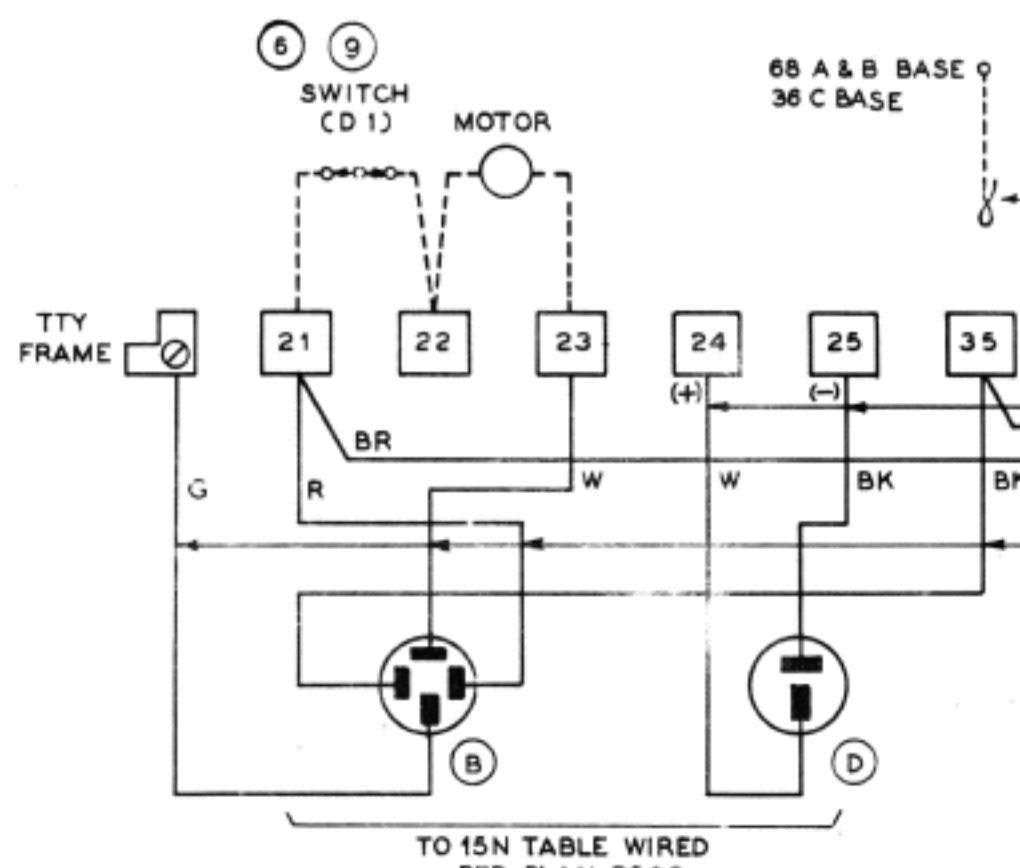


FIG. 5 (A&M) 14  
POWER CONNECTIONS FOR DC POWER SUPPLY

*Garden City*

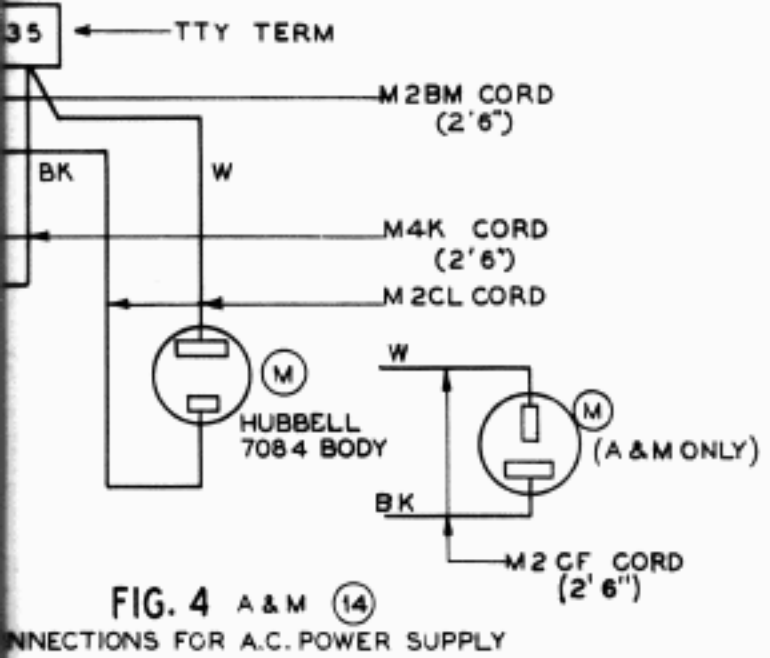
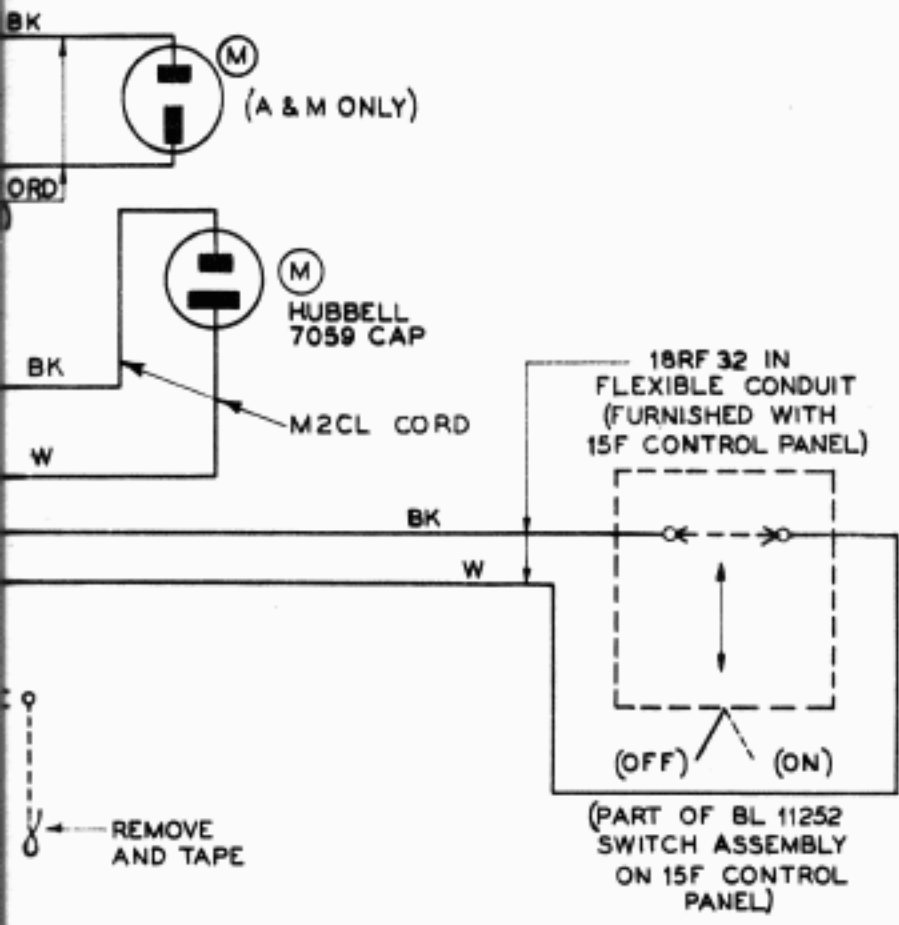
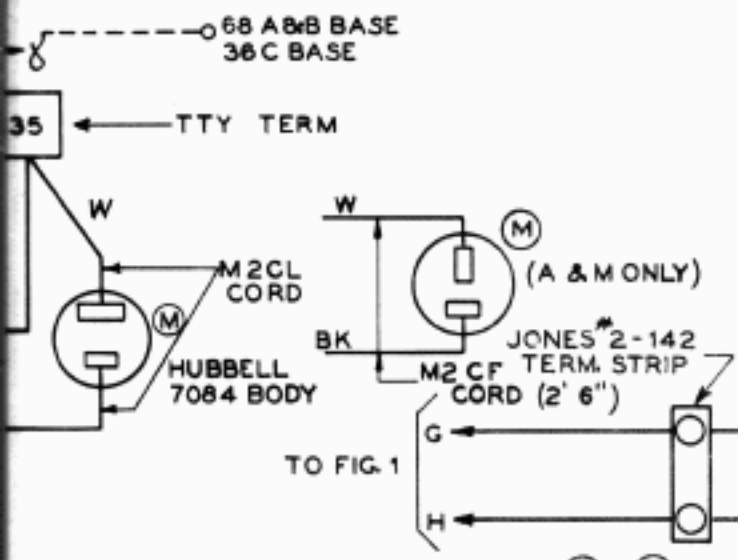


FIG. 4 A & M (14)  
 CONNECTIONS FOR A.C. POWER SUPPLY



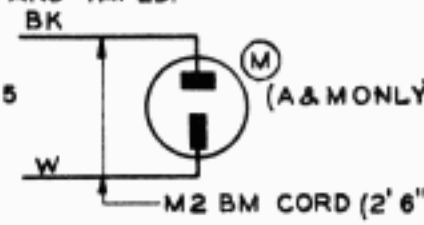
(5) (12) FIG. 6 (A & M) (14)  
 POWER CONNECTIONS WITHOUT SWITCH CONTROL

NOTES

1. LOCATE AS PER BSP P90.988 OR P90.989 AS REQUIRED
2. USE 7-E BUZZER FOR 60<sup>o</sup> A.C. 7-A FOR 25<sup>o</sup> A.C. AND 7-F FOR D.C.
3. USE 'W' WIRING FOR A.C. POWER AND 'Z' WIRING FOR D.C.
4. ADJUST PER B.S.P. P31.911 TO OPERATE SATISFACTORILY ON AVAILABLE VOLTAGE
5. WIRE ACCORDING TO UNDERWRITERS RULES
6. POWER SWITCH ON TTY BASE TO BE OPERATIVE
7. SELECTIVE RECEIVING CIRCUIT (B.S.P. P90.982) MUST HAVE U-783 RELAYS IN POSITIONS (A)(B) & (G) AND 18EW RESISTANCES IN POSITIONS (A)(B) & (P).
8. MOUNT RELAY PER PLAN SA 9.01 FOR 19 A TABLE DISREGARDING REFERENCE TO PLAN PM 9.13 OR ON INSIDE OF REAR PANEL FOR 15 N TABLE.
9. KEEP POWER SWITCH IN CLOSED POSITION EXCEPT WHEN REQUIRED TO STOP TTY TO CHANGE PAPER OR OTHER NECESSARY OPERATION.
10. WHEN OPERATING THE SELECTIVE RECEIVING CIRCUIT ON D.C. POWER USE 59-N (1000<sup>o</sup>) RESISTANCES IN FIG. 7 OF B.S.P. P90.982.
11. USE "Y" WIRING IF FIG. A IS REQUIRED "X" WIRING IF NOT PROVIDED.
12. MOUNT ON INSIDE OF 15 N TABLE
13. MOUNT IN LOCATION SUITABLE TO CUSTOMER
14. FIGS. 3, 4, 5, & 6 MADE A & M. SEE FIGS. 11 & 12
15. USE Q WIRING WHEN A 20 IMPULSE STATION CODE IS SPECIFIED  
 " R " " " 24 " " " " "  
 " S " " " 26 " " " " "
16. V WIRING AND S. E. & M. CO. A-7 X 10 RELAY A & M. ONLY. USE T WIRING AND S. E. & M. CO. S-7 RELAY WITH H-2 HOUSING FOR 120 V (SPECIFY D.C. OR CYCLE A.C. AS REQUIRED)
17. WHEN MANUAL CONTROL OF POWER TO 19 A TABLE IS NOT TO BE PROVIDED, EITHER ONE OF THE LEADS ON THE TABLE POWER SWITCH SHALL BE DISCONNECTED AND TAPED.

64-C-1 SELECTOR SYSTEM

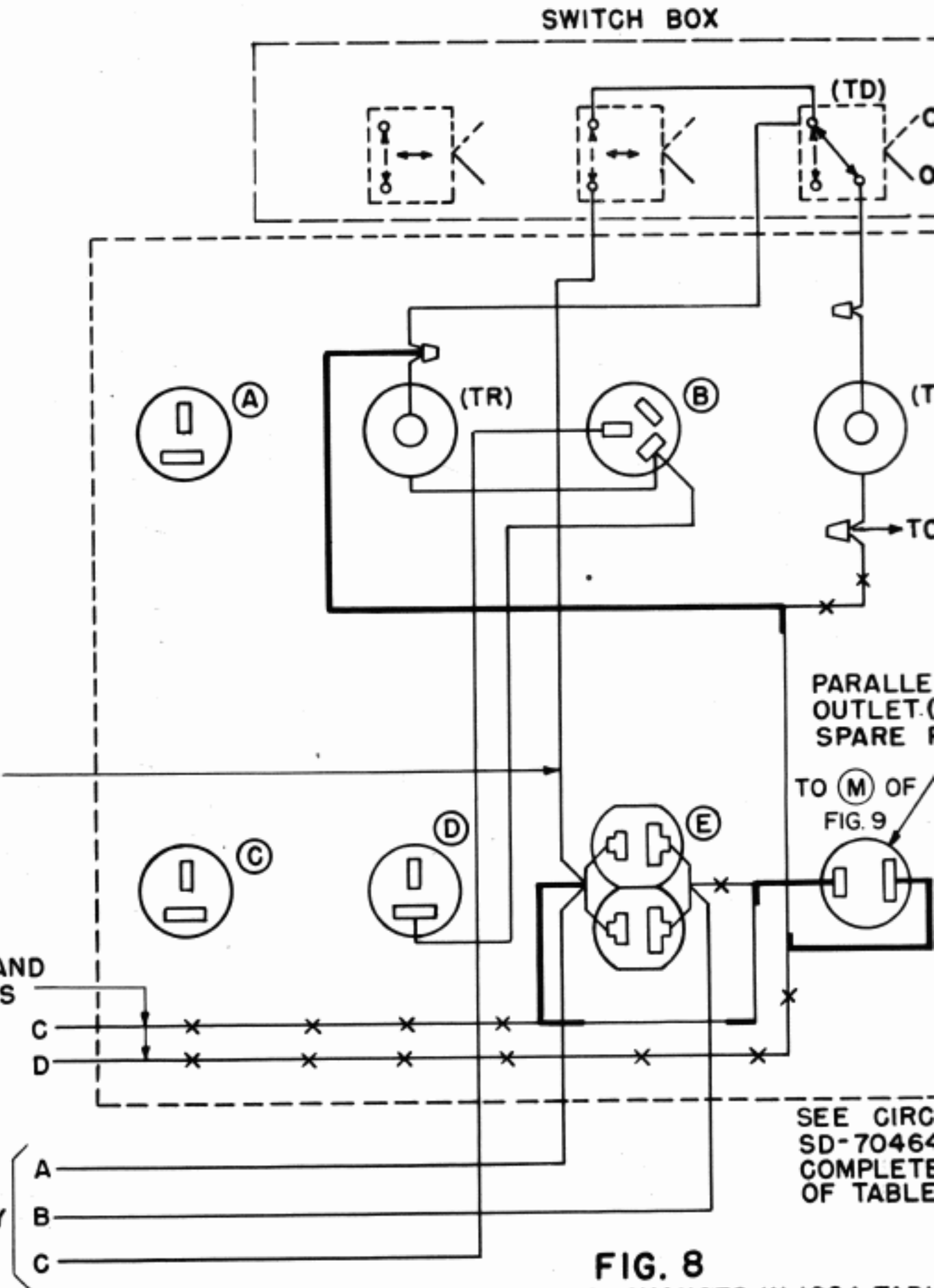
APPLIQUE CIRCUIT TO PERMIT REMOTE CONTROL OF AUDIBLE ALARM AND POWER OF A 15 TTY ON 15N TABLE OR 19 ASR WHEN USED WITH ARRANGEMENT SHOWN ON P90.982



WHEN MANUAL CONTROL OF I02A TABLE IS NOT TO BE PROVIDED REMOVE THIS WIRE FROM RECEP. E AND TAPE.

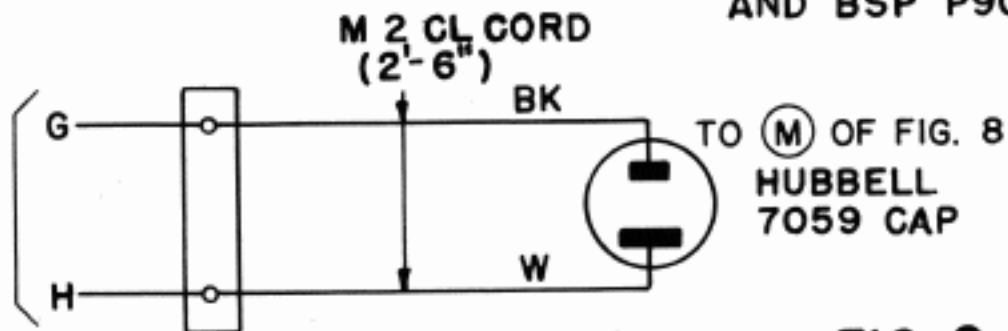
DISCONNECT AND RECONNECT AS SHOWN

TO COMM. AC OR DC SUPPLY



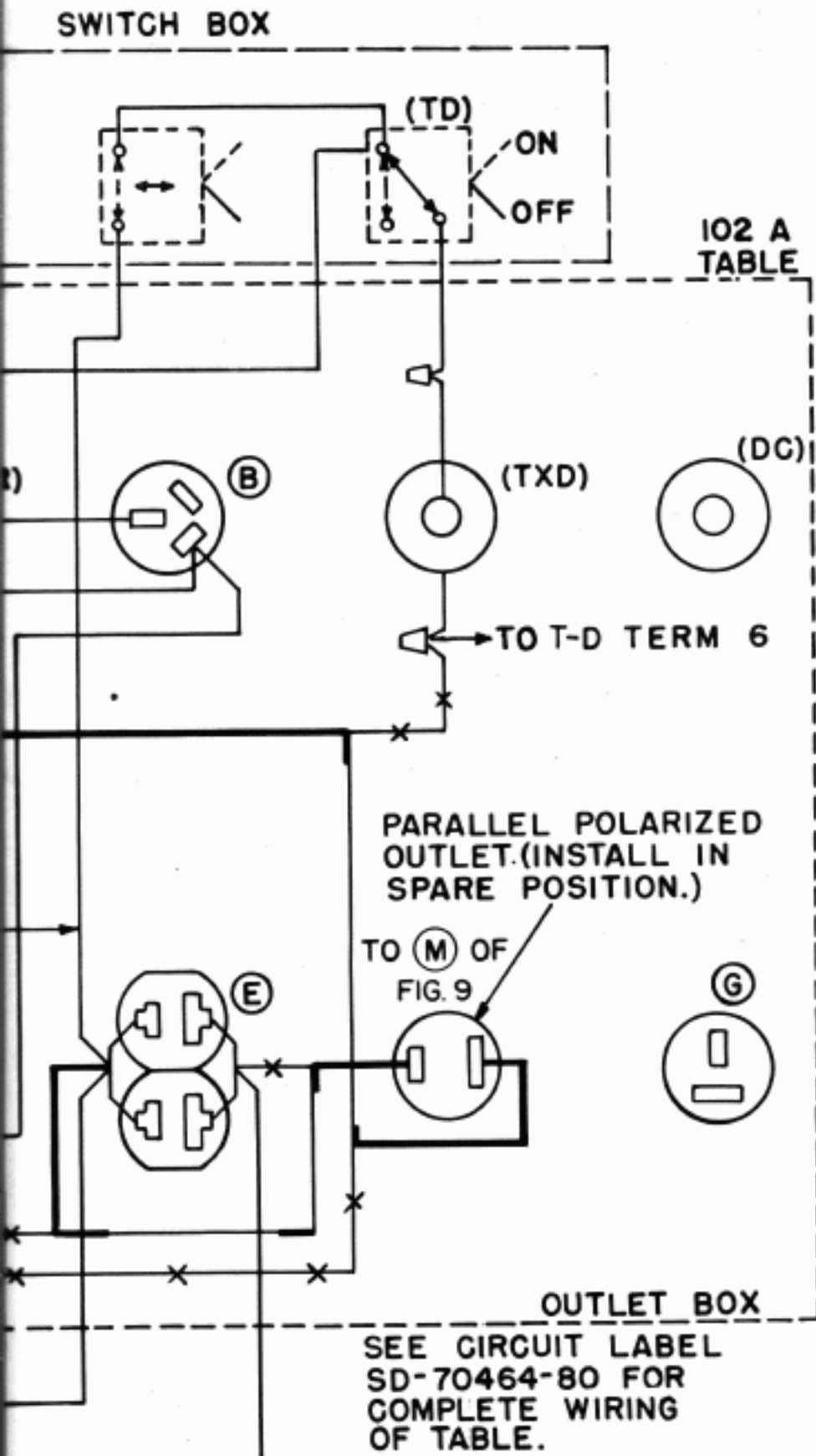
**FIG. 8**  
WIRING CHANGES IN I02A TABLE  
USE WITH BSP P90.982  
AND BSP P90.984

TO FIG. 1



SPARE TERMINALS IN TABLE OR ADDED JONES #2-142 T.S.

**FIG. 9**  
POWER CONNECTIONS WITH OR WITHOUT SWITCH CONTROL

REPRODUCED FROM 21042-129  
SHEET 2

MATERIAL FOR FIG. 8 AND FIG. 9:

- 1 - M2CL CORD -(2'-6")
- 1 - HUBBELL 7059 CAP
- 1 - H. B. JONES #2-142 TERM. STRIP
- 1 - MONCOR MI57 OUTLET (DUPLEX), OR
- 1 - MONCOR MI52 OUTLET (SINGLE), OR
- 1 - HEMCO HI42 OUTLET (DUPLEX), OR
- 1 - HEMCO HI41 OUTLET (SINGLE)

RECEPTACLE (M)

NOTES:-

- \* — SHOWN IN G.E.CO. CATALOGUE 37W
- \*\* — SHOWN IN GRAYBAR CATALOGUE 102

KEY (FOR FIG. 8)

- EXISTING WIRING
- ADDED WIRES
- X X — REMOVED WIRES

FIG. 8

WIRING CHANGES IN 102A TABLE FOR  
USE WITH BSP P90.982  
AND BSP P90.984TO (M) OF FIG. 8  
HUBBELL  
7059 CAP

FIG. 9

POWER CONNECTIONS WITH  
OR WITHOUT SWITCH CONTROL

**64-C-1 SELECTOR SYSTEM**  
APPLIQUE CIRCUIT TO PERMIT REMOTE  
CONTROL OF AUDIBLE ALARM AND POWER  
OF A 102A ASSEMBLY  
(TO BE USED IN CONJUNCTION WITH  
BSP P90.982 AND BSP P90.984)

FF)  
N)  
NIPPLE  
DUIT  
IN KNOCKOUT  
THE 90°  
R).

102)

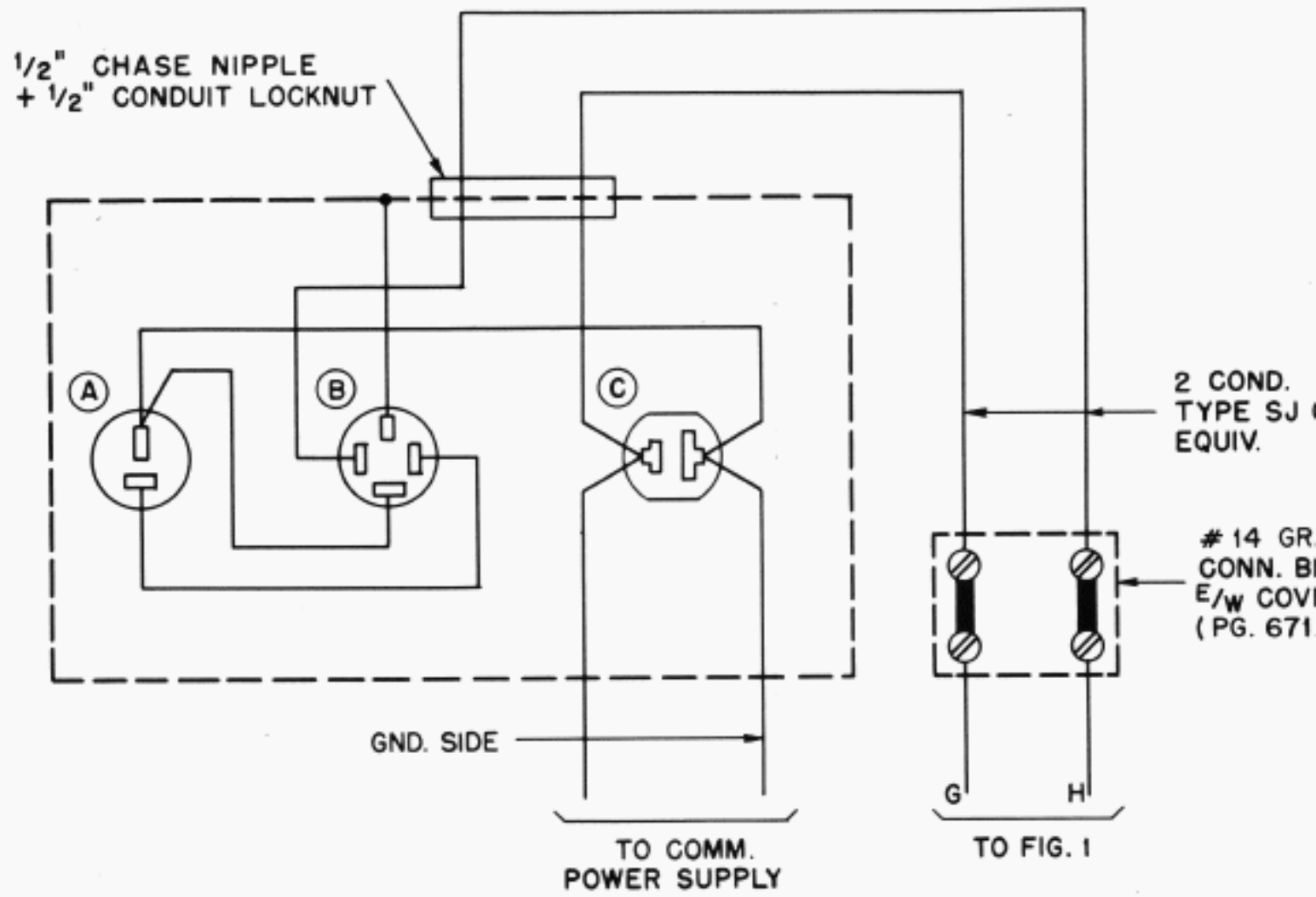


FIG. 12

15N TABLE B 15A CONTROL PANEL  
 POWER CONNECTION WITHOUT AUXILIARY  
 SWITCH CONTROL  
 (REPLACES FIG. 4 OR 5 AND FIG. 6 NOW "A & M")  
 APPLY PLAN PM 4.01, PM 4.02, OR PM 4.03  
 AS REQUIRED

REPRODUCED FROM 21042-105  
SHEET 3

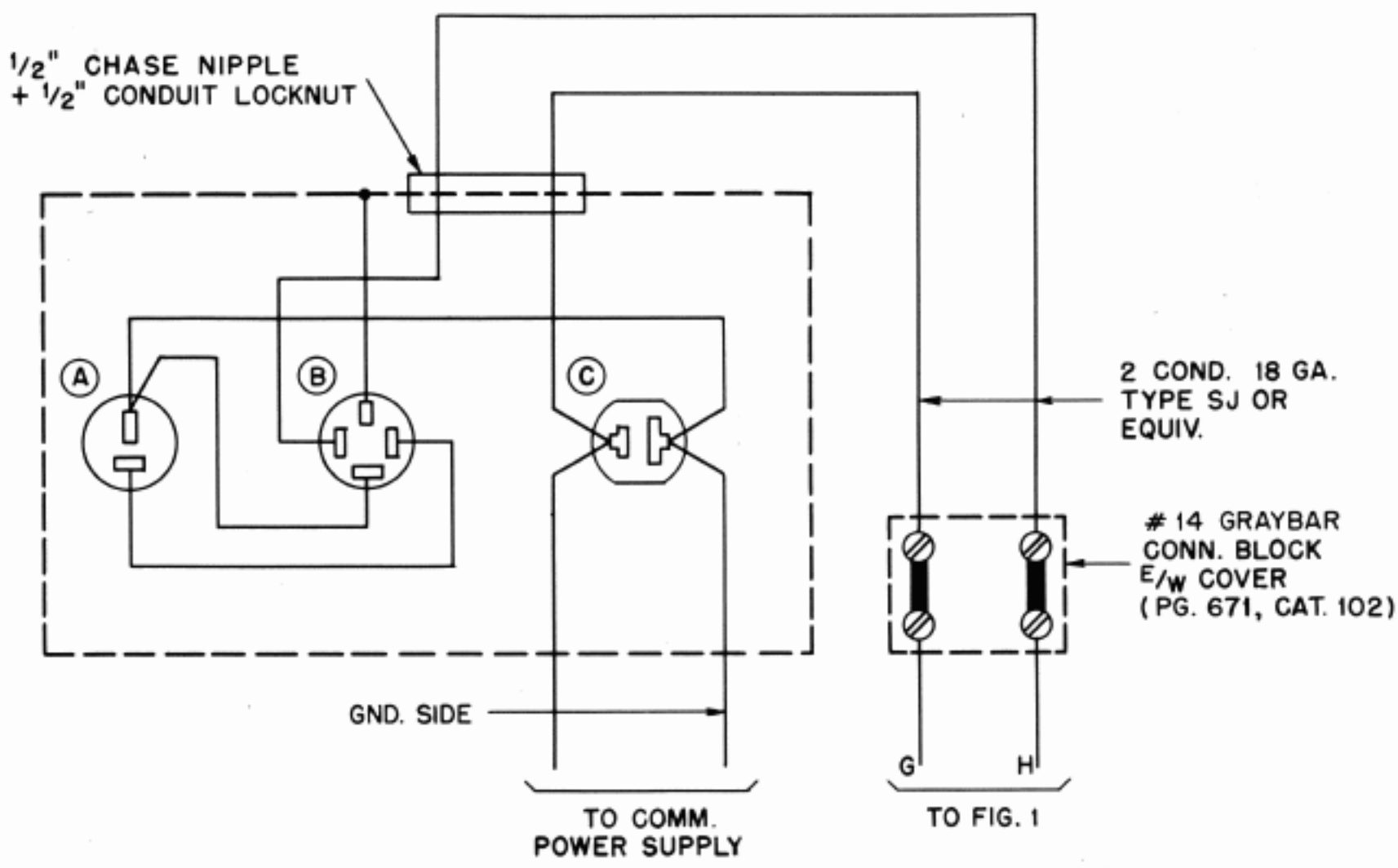


FIG. 12

15N TABLE & 15A CONTROL PANEL  
POWER CONNECTION WITHOUT AUXILIARY  
SWITCH CONTROL  
(REPLACES FIG. 4 OR 5 AND FIG. 6 NOW "A & M")  
APPLY PLAN PM 4.01, PM 4.02, OR PM 4.03  
AS REQUIRED