

Jack City

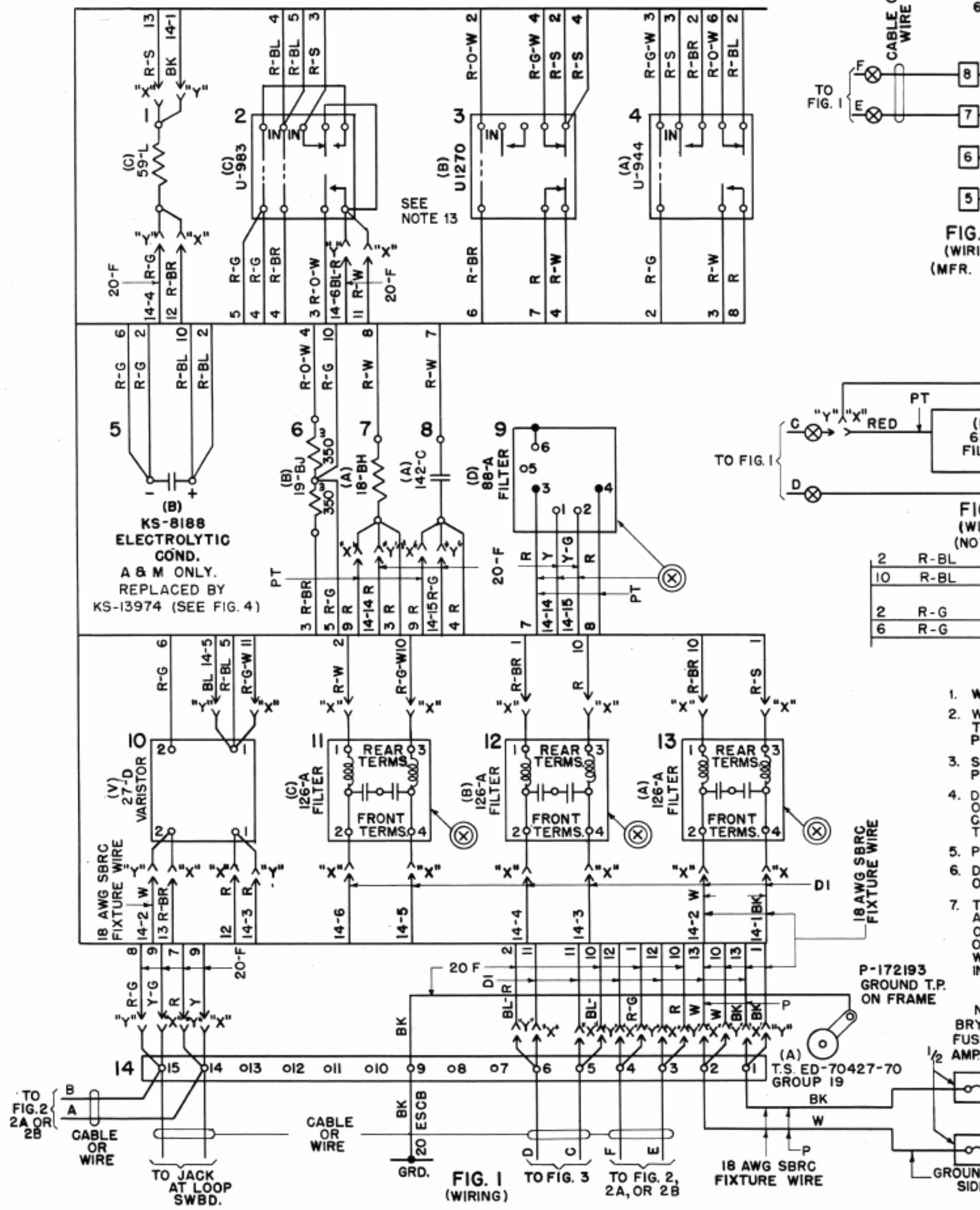


FIG. 1 (WIRING)

TO FIG. 1

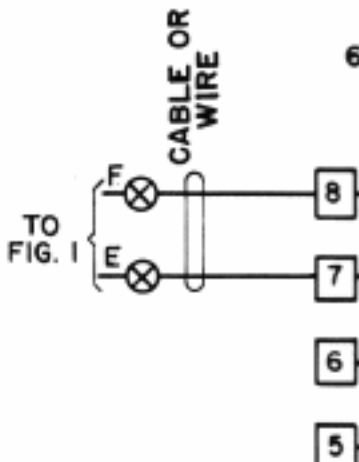


FIG. 2 (WIRING) (MFR. ...)

TO FIG. 1

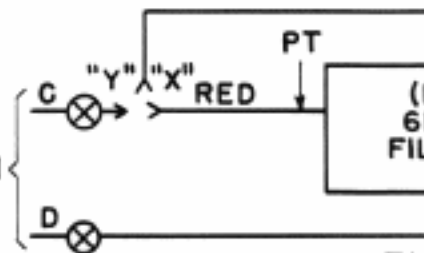


FIG. 3 (WIRING) (NOT ...)

2	R-BL
10	R-BL
2	R-G
6	R-G

1. W...
2. W...
3. S...
4. D...
5. P...
6. D...
7. T...

P-172193 GROUND T.P. ON FRAME

18 AWG SBRC FIXTURE WIRE

TO FIG. 2 2A OR 2B

TO JACK AT LOOP SWBD.

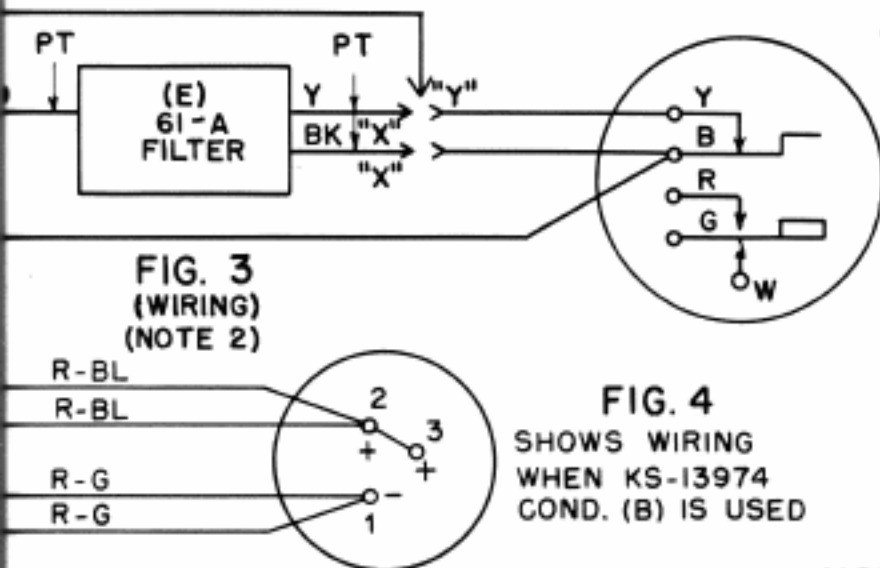
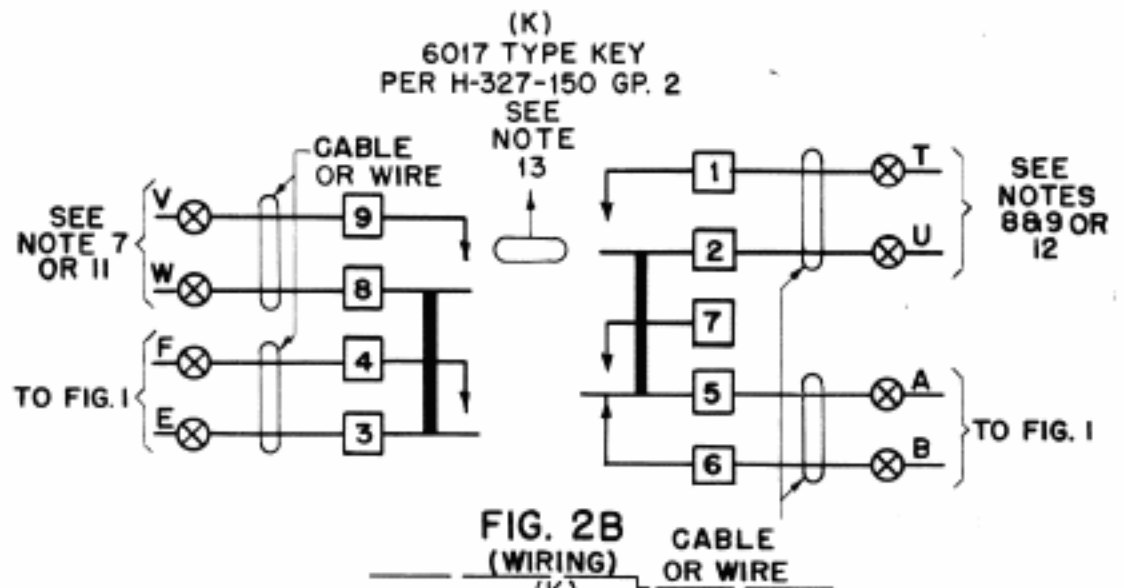
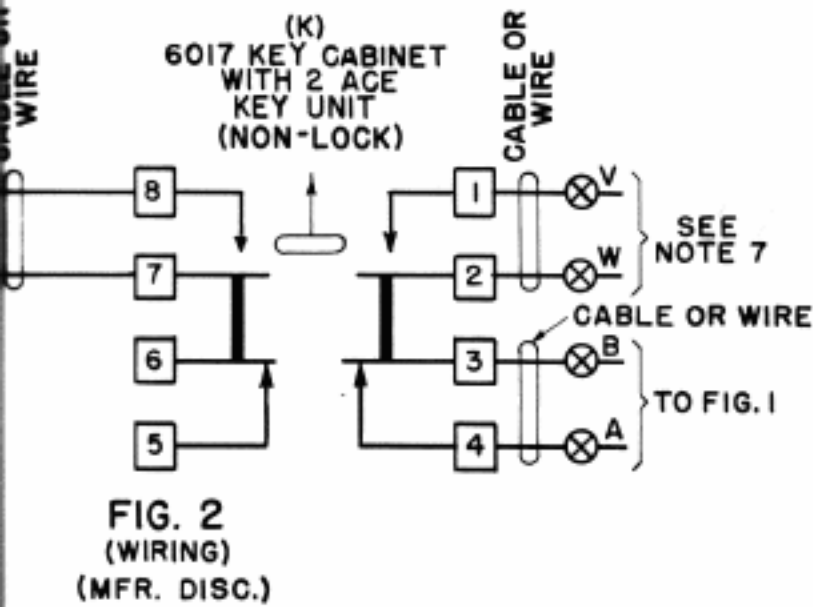
TO FIG. 2, 2A, OR 2B

1/2 AMP. GROUND SIDE

BELL SYSTEM PRACTICES
TELETYPEWRITER STATION
INSTALLATION AND MAINTENANCE
REPRODUCED FROM 20604-T-131

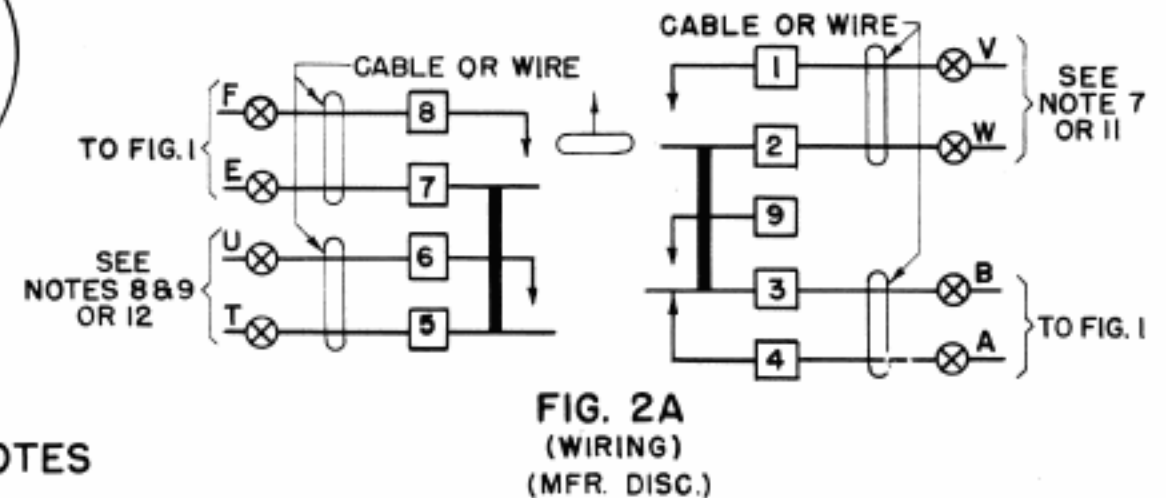
SECTION P.90.981
ISSUE R APRIL 1952
LONG LINES DEPT.

CHANGES -
 ISSUE Q KS-13974 COND. (B) WAS KS-8188



6000-D DIAL MTG. AND 52-D + 64-A DIAL ADAPTER WITH 6E DIAL

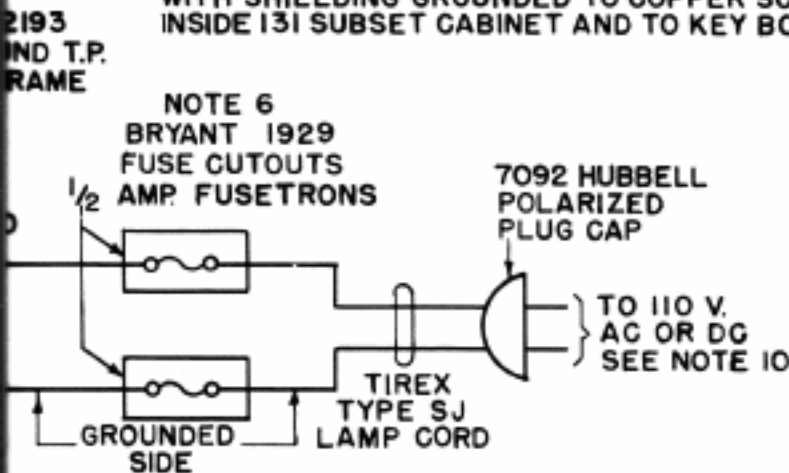
(K)
 6017 KEY CABINET WITH 2HY KEY UNIT



NOTES

1. WIRING NOT OTHERWISE SPECIFIED TO BE 22C.
2. WHEN 61-A FILTER IS REQUIRED, MOUNT FILTER IN MODIFIED DIAL AS SHOWN IN B.S.P. P 90.997.
3. SCHEMATIC SHOWN ON 20604-SD-113. B.S.P. P 90.980 EQUIPMENT SHOWN ON 20604-ED-124.
4. DI LEADS TO BE 20-F COLORED BK UNLESS OTHERWISE INDICATED NOT INCLUDED IN LOCAL CABLE BUT RUN DIRECT FROM TERMINAL TO TERMINAL IN THE SHORTEST WAY POSSIBLE.
5. PT DENOTES LEADS PARTS OF APPARATUS.
6. D & W 91101 FUSE CUTOUTS WERE FURNISHED ON INITIAL ORDERS.
7. TO FIG. A OR B B.S.P. P90.993 OR TO TERMS. 10 AND 13 OF B TERM. STRIP ON 131-A-1 SUBSET OR TO TERMINALS 14 & 18 OF B TERMINAL STRIP OF 131-B-2 SUBSET USING 720 SHIELDED CABLE WITH SHIELDING GROUNDED TO COPPER SCREEN INSIDE 131 SUBSET CABINET AND TO KEY BOX
8. OF DIAL KEY OR TO TERMS. 45 & 46 ON TERM. STRIP OF 102 A TABLE FIG. 1 B.S.P. P90.936.
9. TO FIG. A OR B OF BREAK TRANSFER CKT. PER DWG. 20567-T-113 OR TO TERMS. 47 AND 48 ON TERM. STRIP OF 102A TABLE FIG. 1A B.S.P. P90.936.
10. IF NO BREAK TRANSFER IS USED, THESE TERMS. SHOULD BE CONNECTED TO FIG. A OR B OF B.S.P. P90.993 WHEN A SECOND TTY SET IS INVOLVED.
11. CORD AND PLUG CAP TO BE PROVIDED BY THE TELEPHONE COMPANY H.B. JONES NO. 10-141 TERM. STRIP OR EQUIVALENT ON TTY. TABLE.
12. TO 24 & 25, FIG. D, DWG. 20827-124.
13. TO 26 & 27, FIG. D, DWG. 20827-124.
13. (B) RELAY CHANGED FROM U-778 (MFR. DISC.) TO U-1270 ON ISSUE N. EITHER RELAY IS SATISFACTORY. DESIGNATION OF (K) KEY, FIG. 2B, CHANGED TO CLARIFY ORDERING INFORMATION.

NOTES
 101. SCHEMATIC SHOWN ON 20604-SD-113 ISSUE 2-3. EQUIPMENT SHOWN ON 20604-ED-124 ISSUE 17.



64C1 SELECTOR SYSTEM
SPECIAL SELECTIVE CALLING CIRCUIT
USING 10 CYCLE DIAL AND PULSE DIVIDER
WIRING