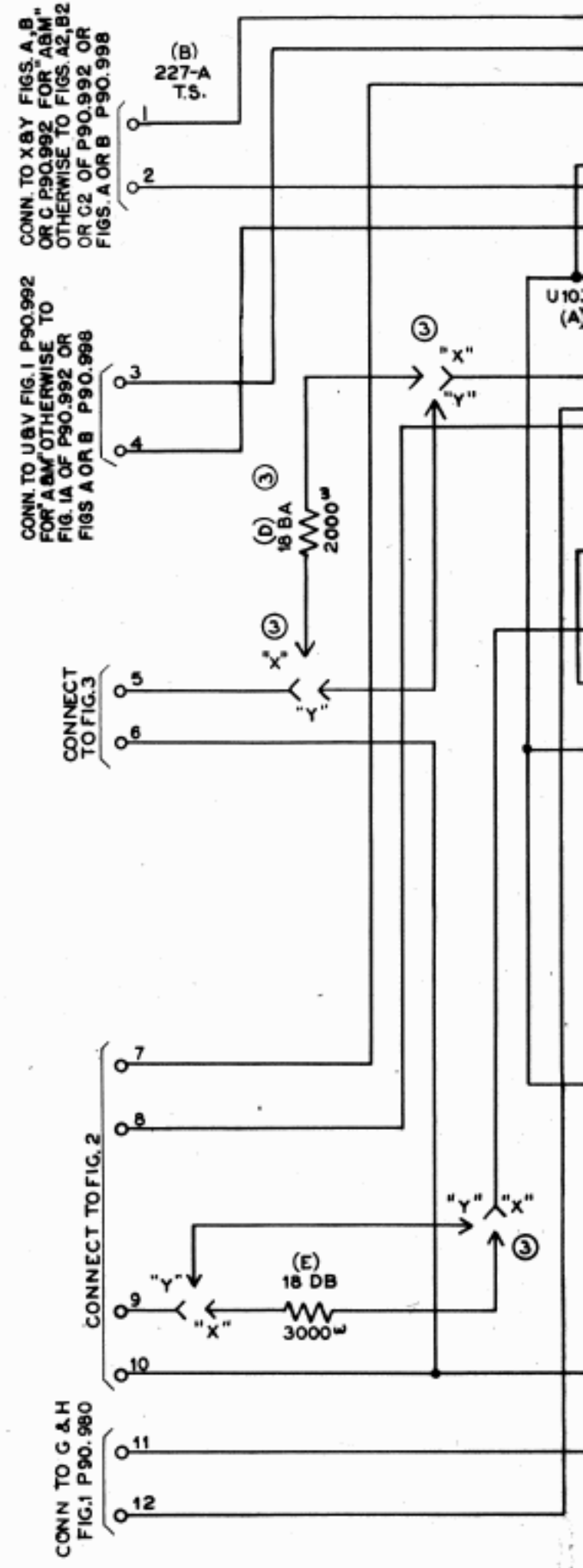
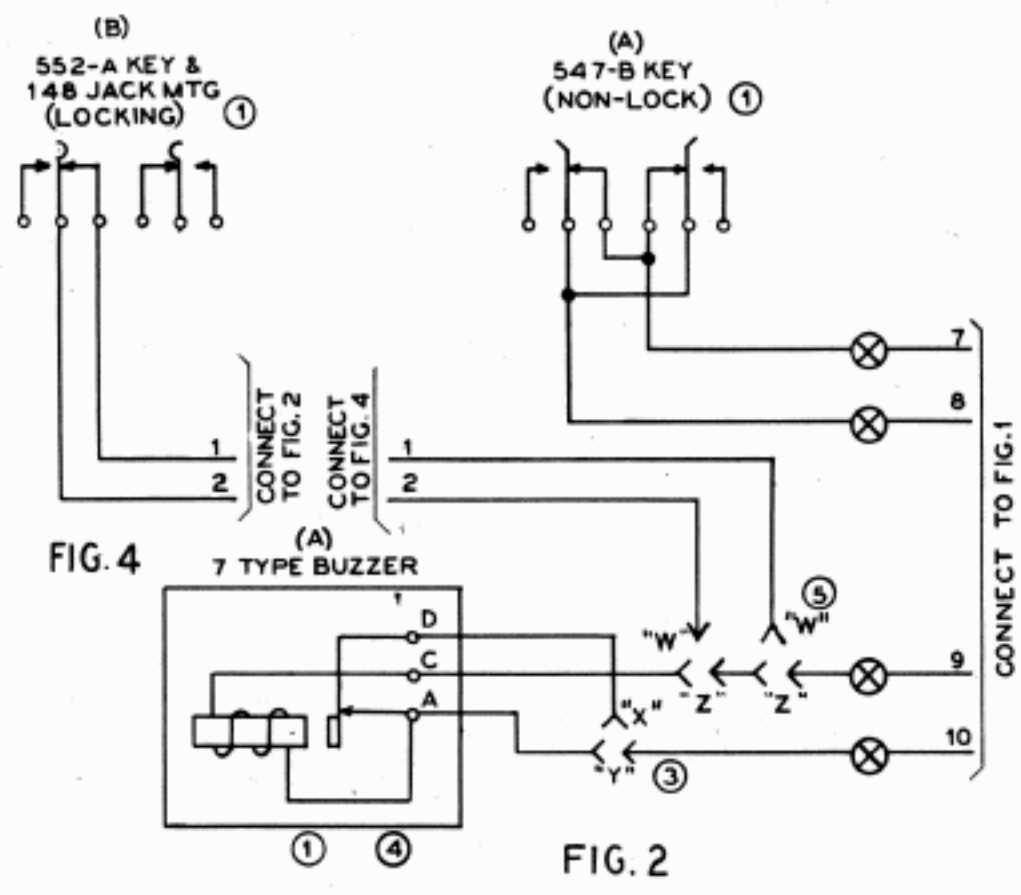
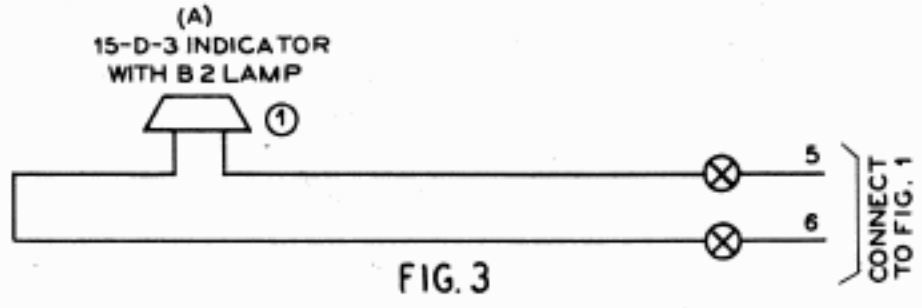


NOTES

- ① MOUNT IN LOCATION SUITABLE TO CUSTOMER.
- ② REPRODUCED FROM DWG. 21140-SD-124.
- ③ USE "X" WIRING AND APPARATUS FOR DC. POWER SUPPLY AND "Y" WIRING FOR AC. POWER SUPPLY.
- ④ USE 7-E BUZZER FOR 60~AC, 7-A FOR 25~ A.C., AND 7-F FOR D.C.
- ⑤ USE "W" WIRING IF FIG. 4 IS REQUIRED. OTHERWISE USE "Z" WIRING.
- ⊗ HB JONES NO 10-141 TERMINAL STRIP OR EQUIVALENT ON TTY TABLE.
- ⑥ USE 59D (115~) RESISTANCES FOR FIG. 7 OF BSP P90.982 WHEN THAT FIGURE IS USED.
- ⑦ WIRING SHOWN ON P90.974 EQUIPMENT SHOWN ON 21140-ED-131



DWG. NO.		CIRCUIT REQUIREMENTS													
APPARATUS		MECH. REQ.			CIRCUIT PREPARATION					DIRECT CURRENT FLOW REQ.					
DESIG.	CODE	B. S. P. FIG.	CONT. PRESS	ARM TR'V'L	BLOCK OR INSULATE	TEST CLIP DATA		TEST SET PREP.	SEE TEST NOTE	TEST WDG.	TEST FOR	AFTER SOAK	TEST	READI.	REMARKS
						CONN. BATT.	CONN. GR'D					M. A.	M. A.	M. A.	
(A)	U1037	148/148	H	41		7B (A)	7T (A)	NGB			0		9	8.3	REMOVE 115V. PWR. P90.982
(B)	U567	111/106	H	44		4B (B)	5T (B)	NGB			0		16.5	15.5	
						4B (B)	5T (B)	NGB			NO		9.6	10.2	
(C)	U545	101/101	H	29		3B (C)	3T (C)	NGB			0		6	5.4	

Dist. Class. (400AC  
(600AC

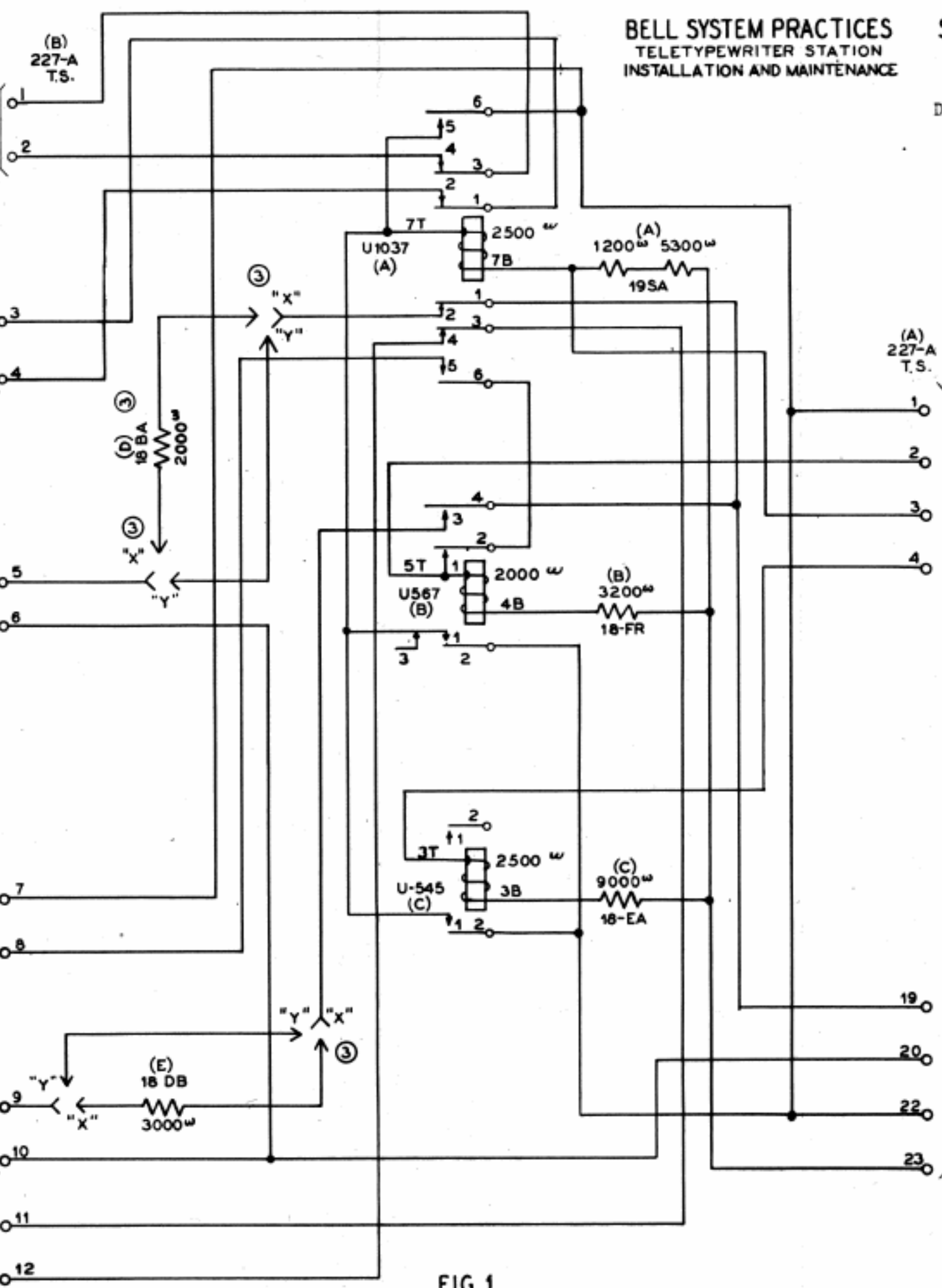
CONN TO XBY FIGS. A, B,  
OR C P90.992 FOR "ABM"  
OTHERWISE TO FIGS. A2, B2  
OR C2 OF P90.992 OR  
FIGS. A OR B P90.998

CONN TO UBV FIG. 1 P90.992  
FOR "ABM" OTHERWISE TO  
FIG. 1A OF P90.992 OR  
FIGS. A OR B P90.998

CONNECT TO FIG. 1

CONNECT TO FIG. 2

CONN TO G & H  
FIG. 1 P90.980



CONNECT TO LIKE NUMBERED TERMINALS  
ON 227-A T.S.(A) OF P90.982, FIG. 1

FIG. 1

DIRECT CURRENT FLOW REQ.						REMARKS
SEE TEST NOTE	TEST WDG.	TEST FOR	AFTER SOAK M. A.	TEST M. A.	READ. M. A.	
		0		9	8.3	REMOVE 115V. PWR. P90.982
		0		16.5	15.5	
		NO		9.6	10.2	
		0		6	5.4	

**64-C-1 SELECTOR SYSTEM**  
APPLIQUE CIRCUIT TO PERMIT  
DISCONNECTION & CONNECTION  
OF TTY. DISABLES  
ASSOCIATED CALLING ARRANGEMENT  
PER P90.980 WHEN TTY IS DISCONNECTED  
TO BE USED WITH P90.982  
SCHEMATIC