

W.C. - Garden City

BELL
TELE
INSTALLA

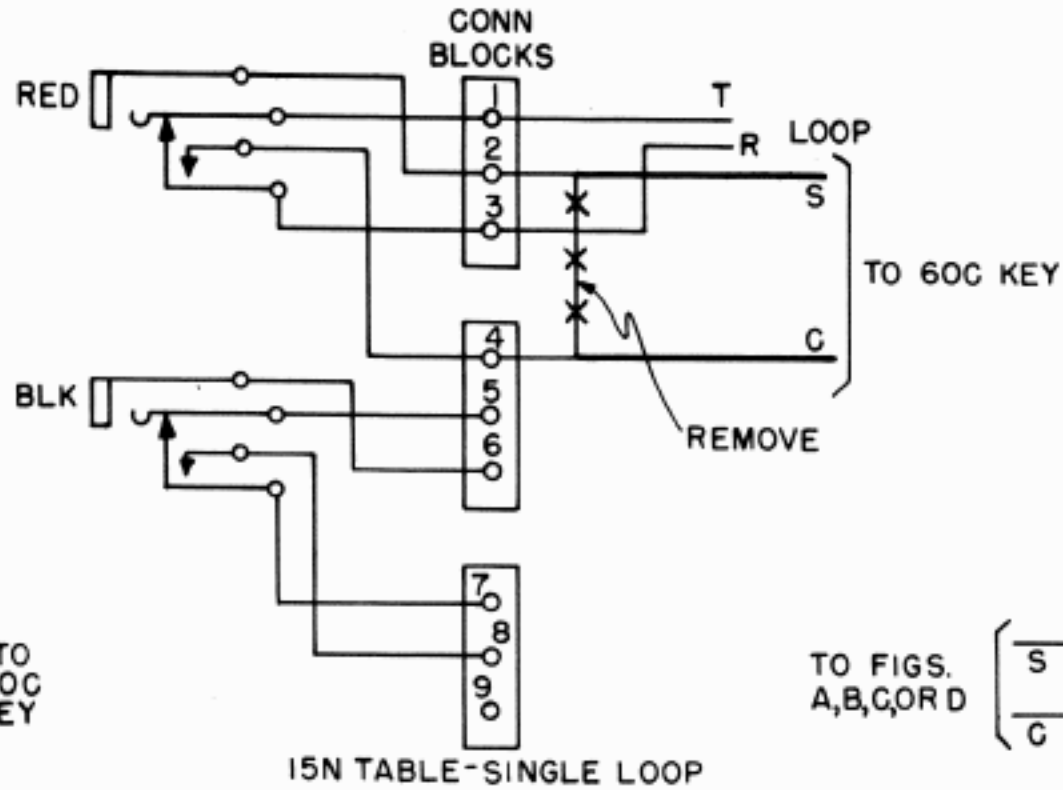
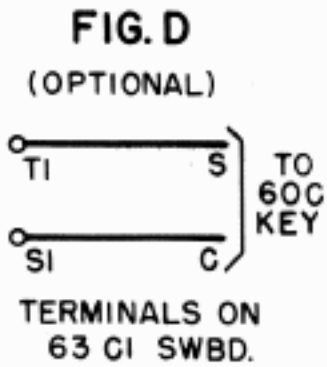
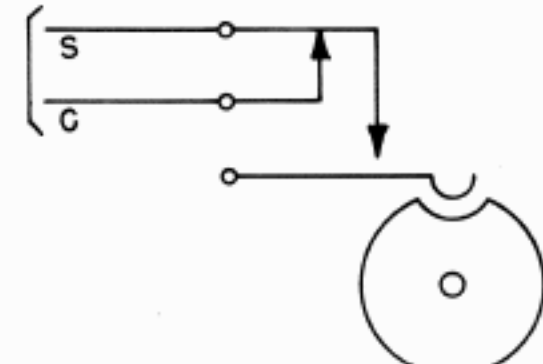


FIG. A



TO FIGS. A, B, C, OR D



60-C KEY
IN 60 F SELECTOR
KEY CASE
NOTES 1 & 2

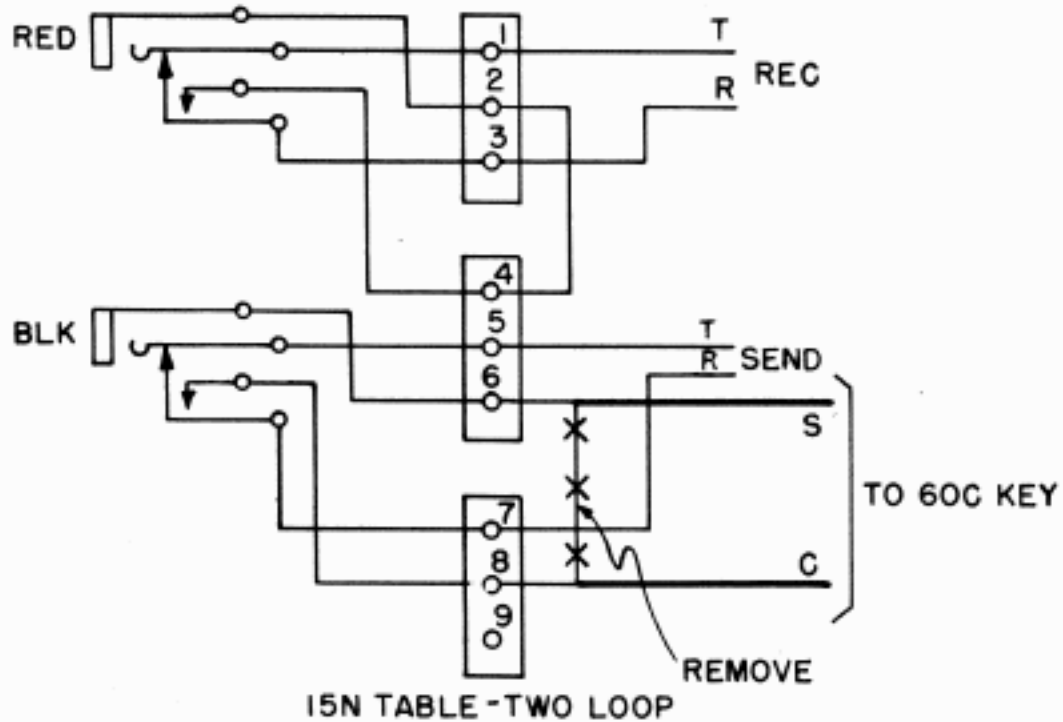


FIG. B

NOTE:

1. MOUN
OR S
2. ADJU
A-43
3. NEW
BY II

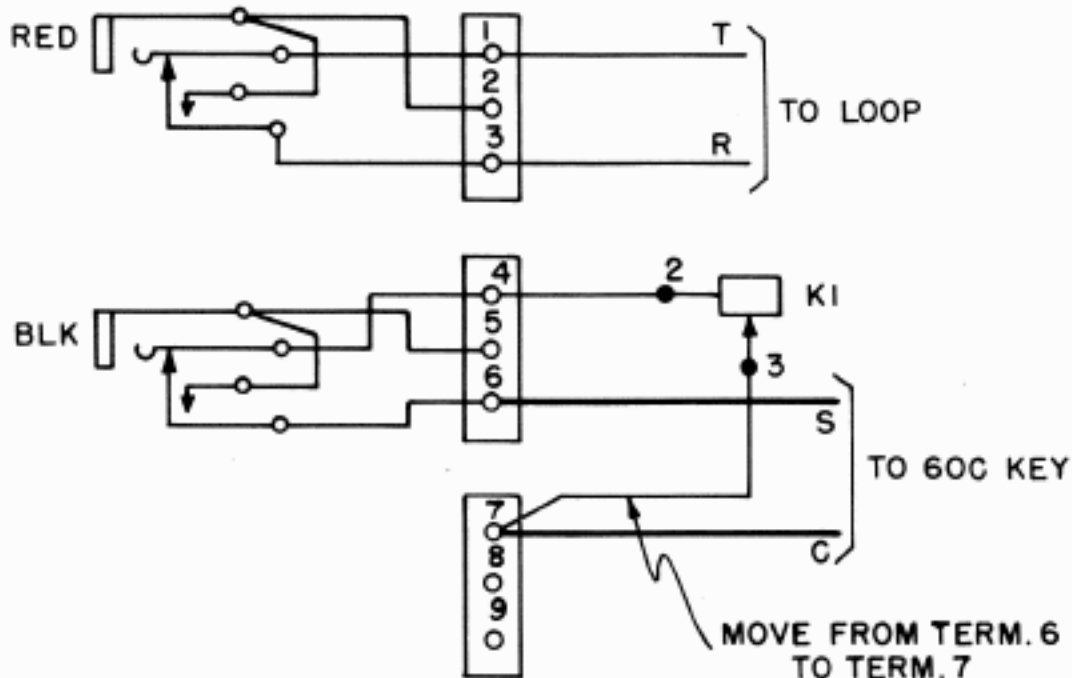
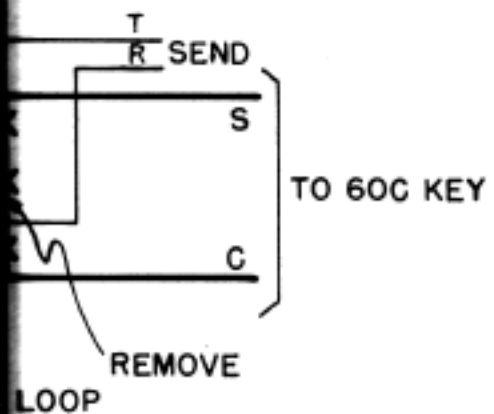
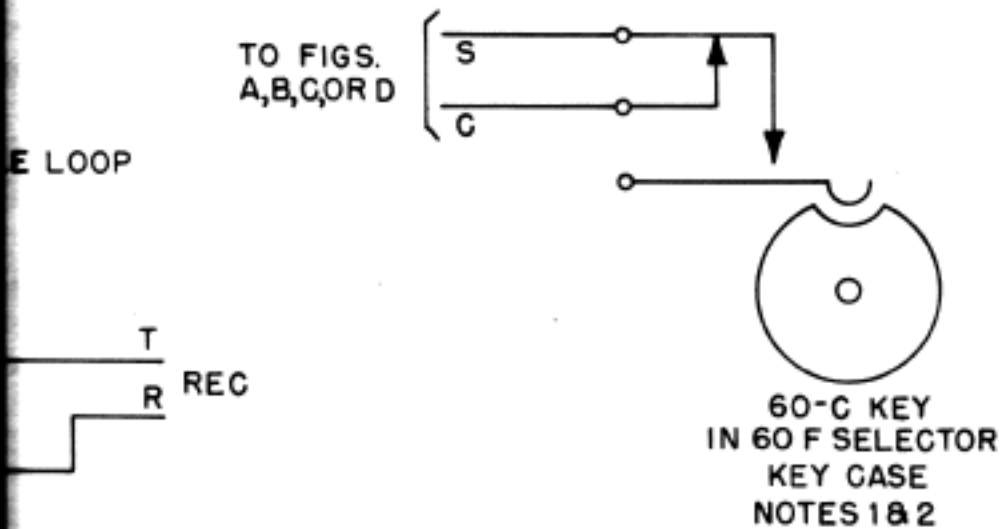
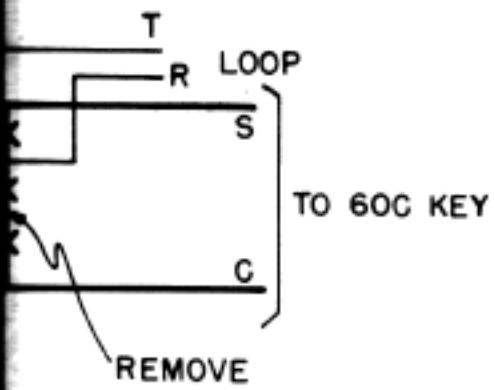
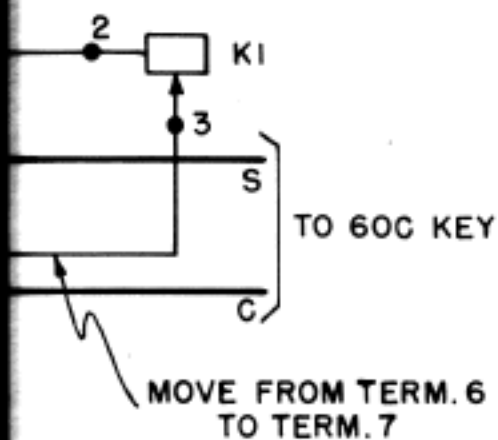
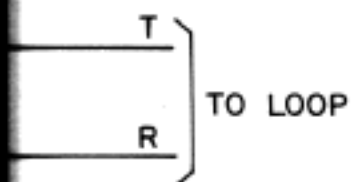


FIG. C



NOTES

1. MOUNT ON TELETYPEWRITER TABLE PER PLAN SA5.02 OR SA6.03.
2. ADJUST KEY IN ACCORDANCE WITH BSP SECTION A-432.019.
3. NEW WIRING INDICATED BY HEAVY LINES TO BE ADDED BY INSTALLER.



TELEGRAPH SYSTEMS
 KEY TO TRANSMIT A 5 SECOND
 BREAK SIGNAL