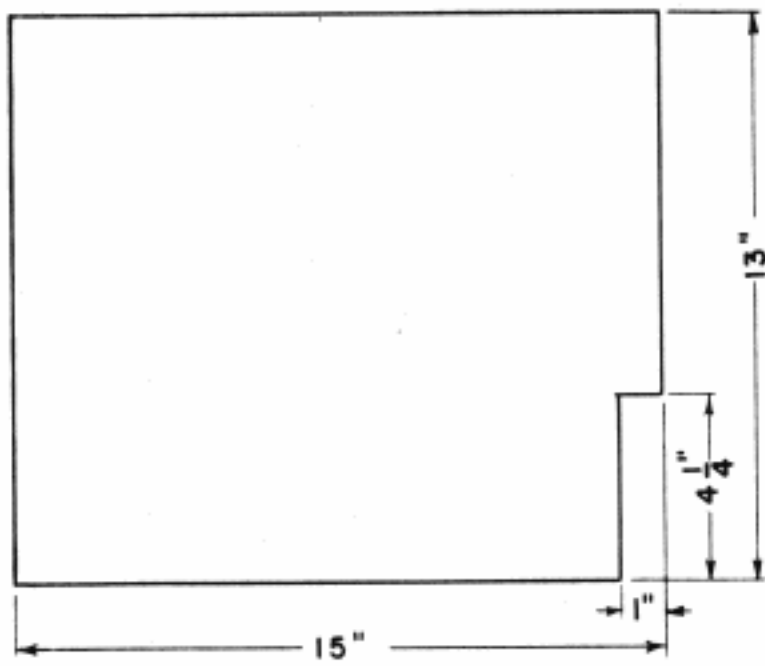
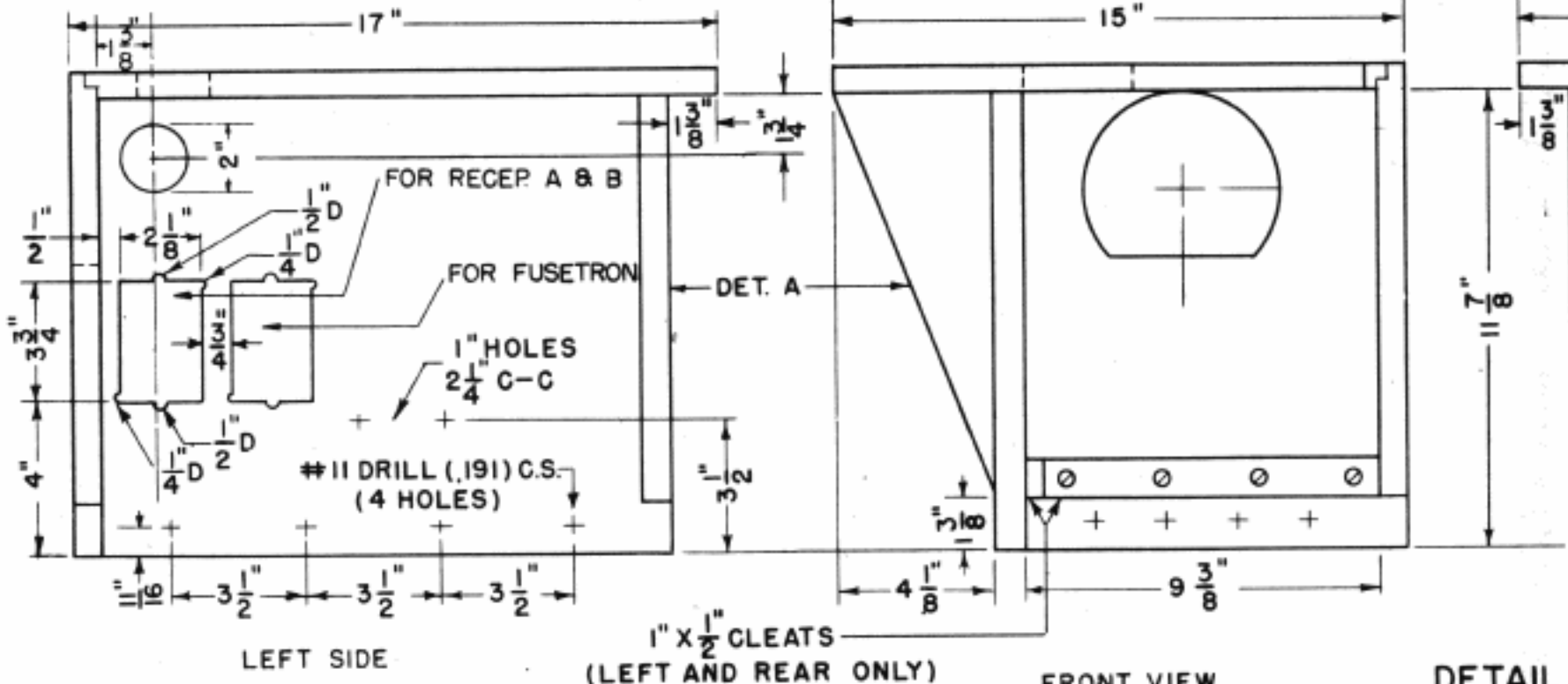
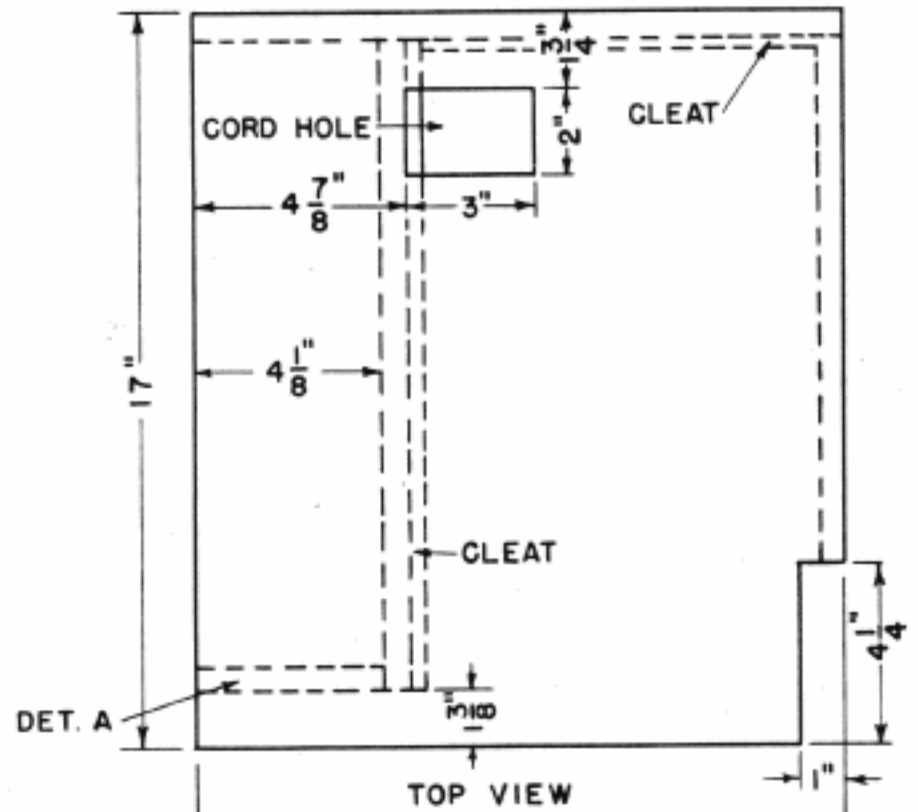


FIG. B
JACK AND LOOP WIRING



DETAIL 2
1/2" FELT
(GLUE OR TACK TO BRACKET)



DETAIL 1

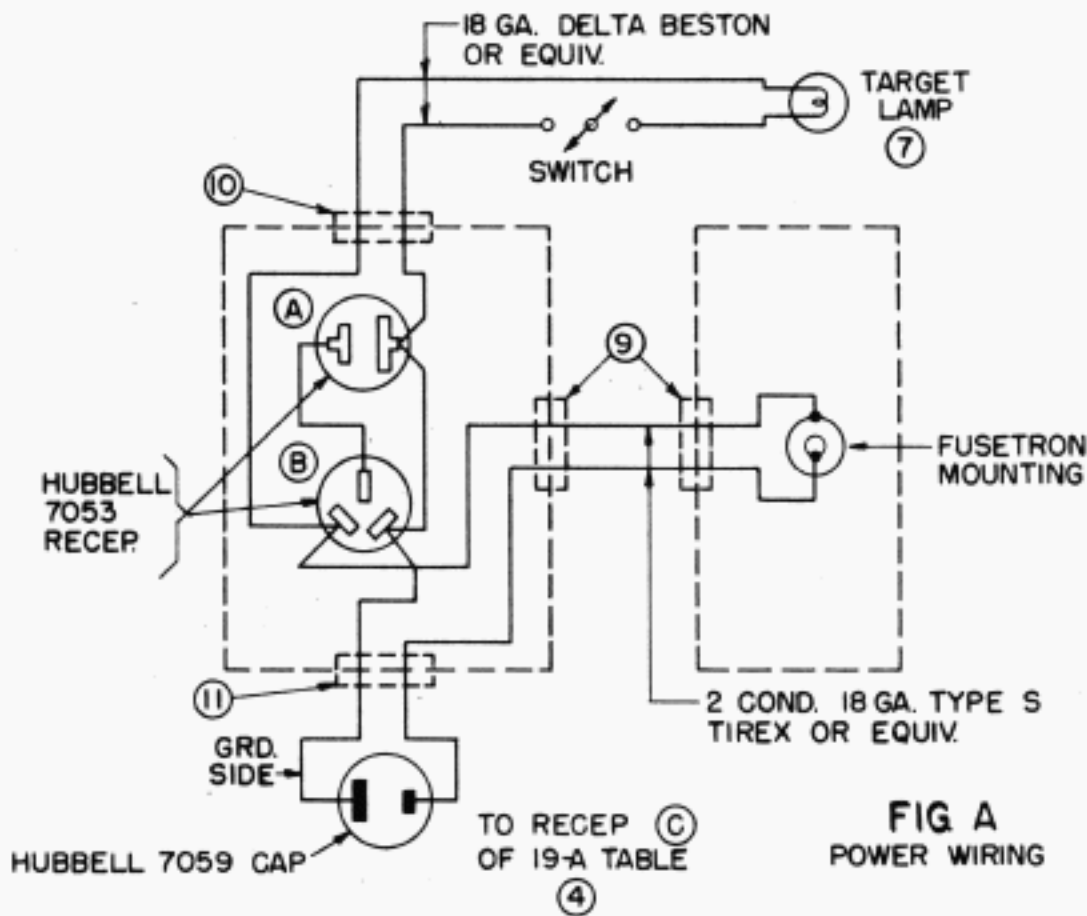
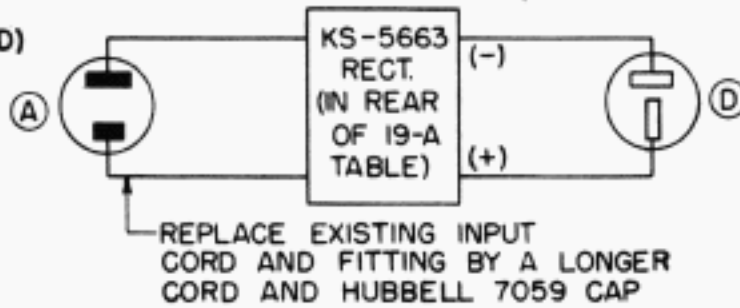
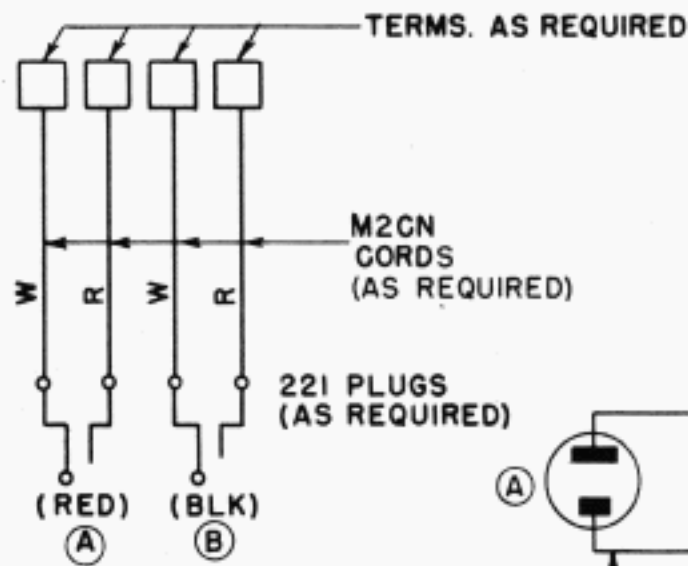


FIG A
POWER WIRING

NOTES

- ① ALL PANELS TO BE $\frac{3}{4}$ " MAHOGANY OR MAHOGAN FACED PLYWOOD, AT LEAST ONE SURFACE GOOD. MAKE ALL JOINTS DADOED, FINISH TO MATCH TABLE.
- ② MOUNT CONN. BLOCKS IN INSIDE REAR OF 19-A TABLE TOWARD RIGHT (VIEWED FROM REAR)
- ③ FRONT EDGE OF JACK MOUNTING SHALL BE ON VERTICAL CENTER LINE OF LEFT PANEL WITH TOWARD THE REAR. (PASS CORDS THROUGH THE HOLE) IF ONLY ONE LOOP IS REQUIRED, PROVIDE JACK MOUNTING. IF TWO LOOPS ARE REQUIRED, PROVIDE AN OUTLET BOX AND COVER PER ED-70065-01, GPI AND GPII OR A 237A JACK MOUNTING DRILL PANEL AS REQUIRED FOR LOOP WIRES.
- ④ OMIT REAR GRILL OF 19-A TABLE AND PASS CORDS AND LOOP WIRES OVER EDGE OF TABLE OR WHERE GRILL IS REQUIRED, BORE A $\frac{1}{2}$ " HOLE IN TABLE TOP $2\frac{1}{2}$ " FROM REAR EDGE AND 4" FROM THE LEFT EDGE FOR THE CORD AND WIRING
- ⑤ REPRODUCED FROM DWG. 20793-105
- ⑥ FOR USE ON OTHER THAN U.S. NAVY SERVICES BRACKET PER DRAWING 38-Y-3644 WILL APPLY.
- ⑦ LOCATE TARGET LAMP BRACKET ON INSIDE OF LEFT PANEL, 4" FROM REAR.
- ⑧ MOUNT R.O.T.R. SO THAT TAPE EMERGES FROM FRONT UNLESS OTHERWISE REQUESTED BY THE CUSTOMER. IF KSRTTR IS PROVIDED MOUNT SO THAT TAPE EMERGES AT LEFT.
- ⑨ INSERT BUSHINGS IN FACING KNOCKOUTS.
- ⑩ INSERT BUSHING IN TOP KNOCKOUT.
- ⑪ INSERT CORD GRIP IN BOTTOM KNOCKOUT.

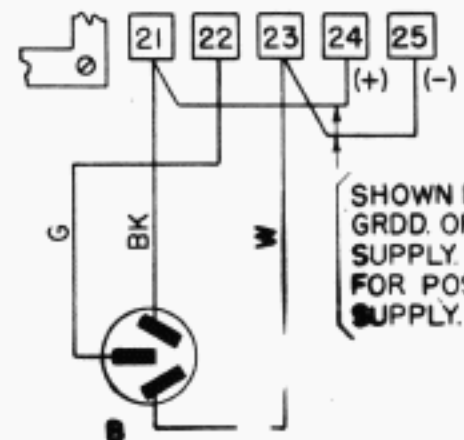
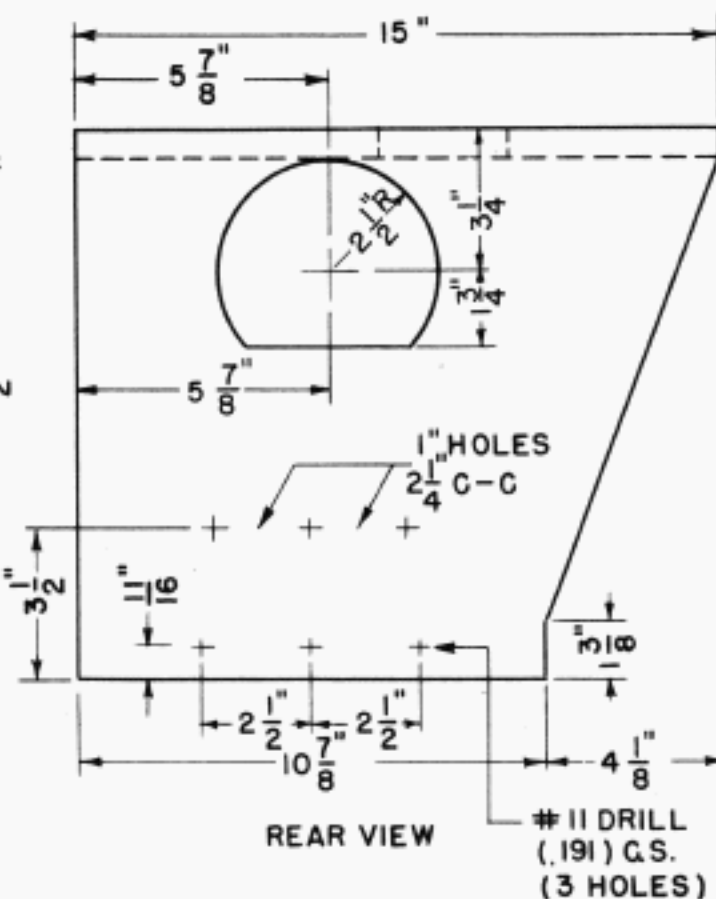
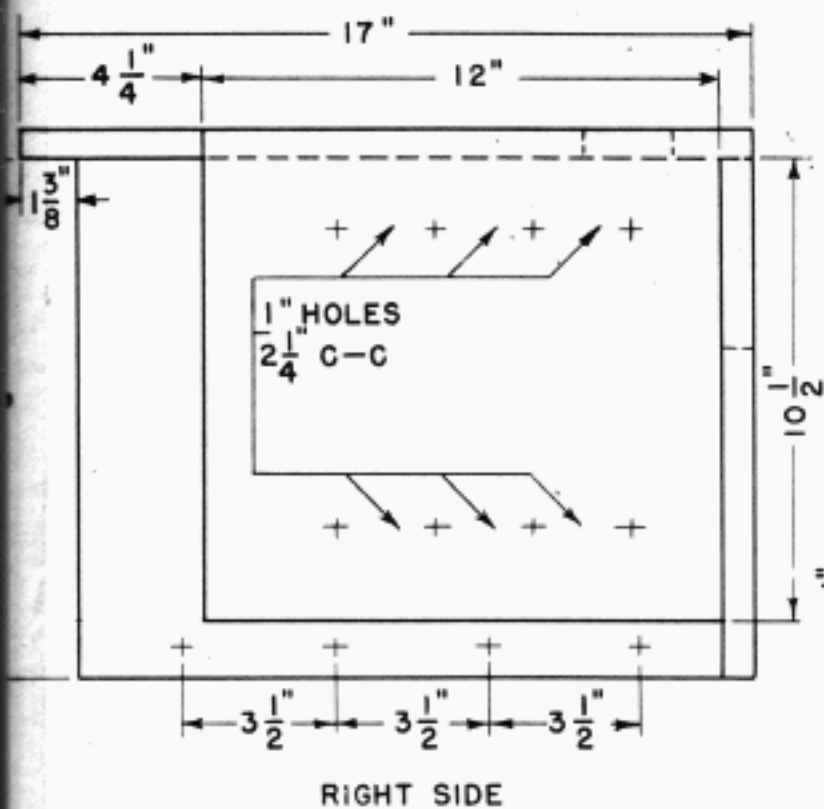


FIG
POWER AND LOOP
D-C

MATERIAL

BELL SYSTEM PRACTICES
TELETYPEWRITER STATION
INSTALLATION AND MAINTENANCE

SECTION P90.965
ISSUE E OCT. 1950
LONG LINES DEPT.
DIST. CLASS. 602.05AG

Garden City

- 1 FUSETRON T3.2
- 1 DETAIL 1
- 1 HUBBELL 7053 RECEPT.
- 2 SWITCH BOX (NATIONAL #8 OR EQUIV.)
- 1 FLUSH PLATE (HUBBELL 91101 OR EQUIV.)
- 1 237A JACK MTG.
- 2 303-A JACKS
- 2 HUBBELL 7059 CAPS
- 7 #8X2" F.H. WOOD SCREWS
- 1 BUSSMAN SOU FUSETRON MOUNTING PLATE
- 1 OR 2 M2CN CORDS (3'-0") AS REQUIRED
- 1 OR 2 221 PLUGS (RED OR RED & BLACK) AS REQUIRED
- 2 12-F CONNECTING BLOCKS
- 1 M2BM CORD (2'-6")
- 1 M3M CORD (2'-6")
- 6' 14GA. TYPE S TIREX OR EQUIV.
- 3 APPLETON 18880 (1/2") BUSHING OR EQUIV.
- 1 HUBBELL 112 CORD GRIP
- * 1 TP70893 NIPPLE
- * 1 TP70892 NUT
- * 1 TP73175 LOCKWASHER
- * 2 #6 X 3/4" R.H. WOOD SCREWS
- * 1 FUSETRON T1
- * 1 TP74421 BRACKET
- * 1 TP73180 TOGGLE SWITCH
- * 1 TP74557 LAMP
- * 1 TP74558 SOCKET

NOTE
* REQUIRED ONLY WHEN TRANS-DIST IS EQUIPPED WITH GOVERNED MOTOR (SEE NOTE 7)

MAHOGANY
FACE GOOD.
MATCH TTY
F 19-A TABLE
BE ON
L WITH JK. OPENINGS
OUGH THE 2"
PROVIDE #148
QUIRED,
PER
JACK MTG.
WIRES.
PASS CORD
LE OR
HOLE IN
D 4" FROM
WIRING.

SERVICES.
R DRAWING
NSIDE OF
MERGES
EQUESTED
VIDED
LEFT.

T.

REASON FOR CHANGE
ISSUE E - ADDED SOU FUSETRON MOUNTING

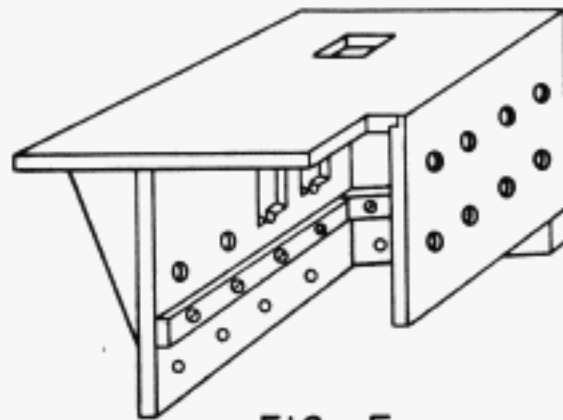
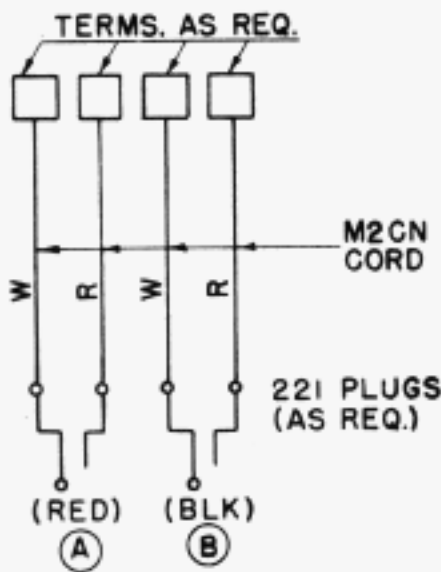


FIG. E
PERSPECTIVE VIEW
OF ASSEMBLED BRACKET

Ⓢ



DETAIL A

FIG. D

AND LOOP CORDS TO TYP-REP.
D-C OPERATION

TELETYPEWRITER SYSTEMS

19-A TABLE

BRACKET FOR MOUNTING AN
RO OR KSR TYPING REPERFORATOR
OVER TRANSMITTER DISTRIBUTOR