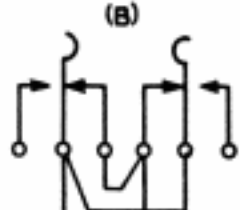
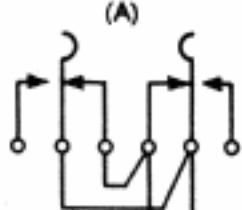
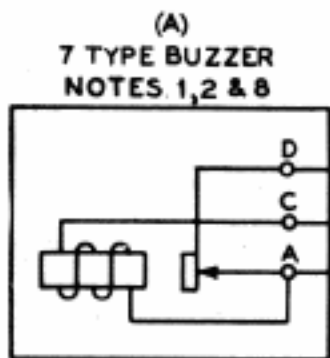


NOTE 1
547-B KEY (NON-LOCK)
148 JACK MTG.
MANUAL UNLOCK
OF BUZZER & BELL

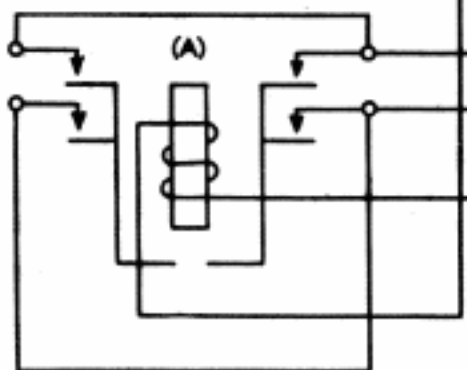
NOTE 9
552-A KEY (LOCKING)
148 JACK MTG.
BELL DISABLING KEY



H.B. JONES
NO. 10-14 1 T.S. ON TTY TABLE



NOTE 3



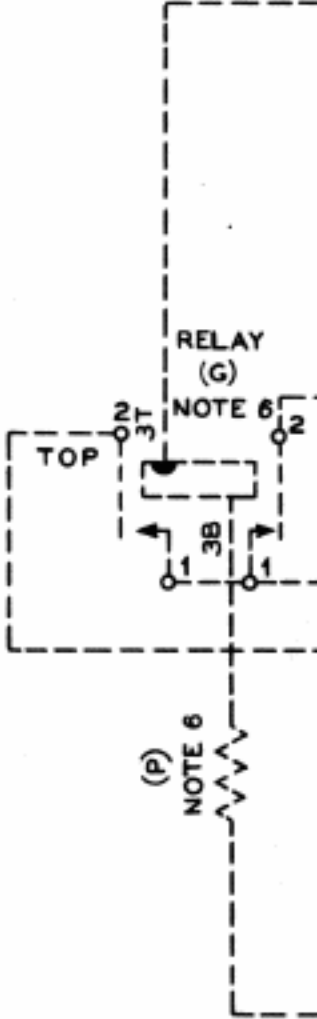
SIGNAL ENG. & MFG. CO. TYPE
A-7-X10 RELAY FOR 120 VOLT
D.C. WITH HI HOUSING.
NOTE 4 & 7

NOTE 5
TO 110V 60~
WIRING TO BE IN
ACCORDANCE WITH
UNDERWRITERS RULES

KS8226-L-17
BELL

NOTE 9

(A)

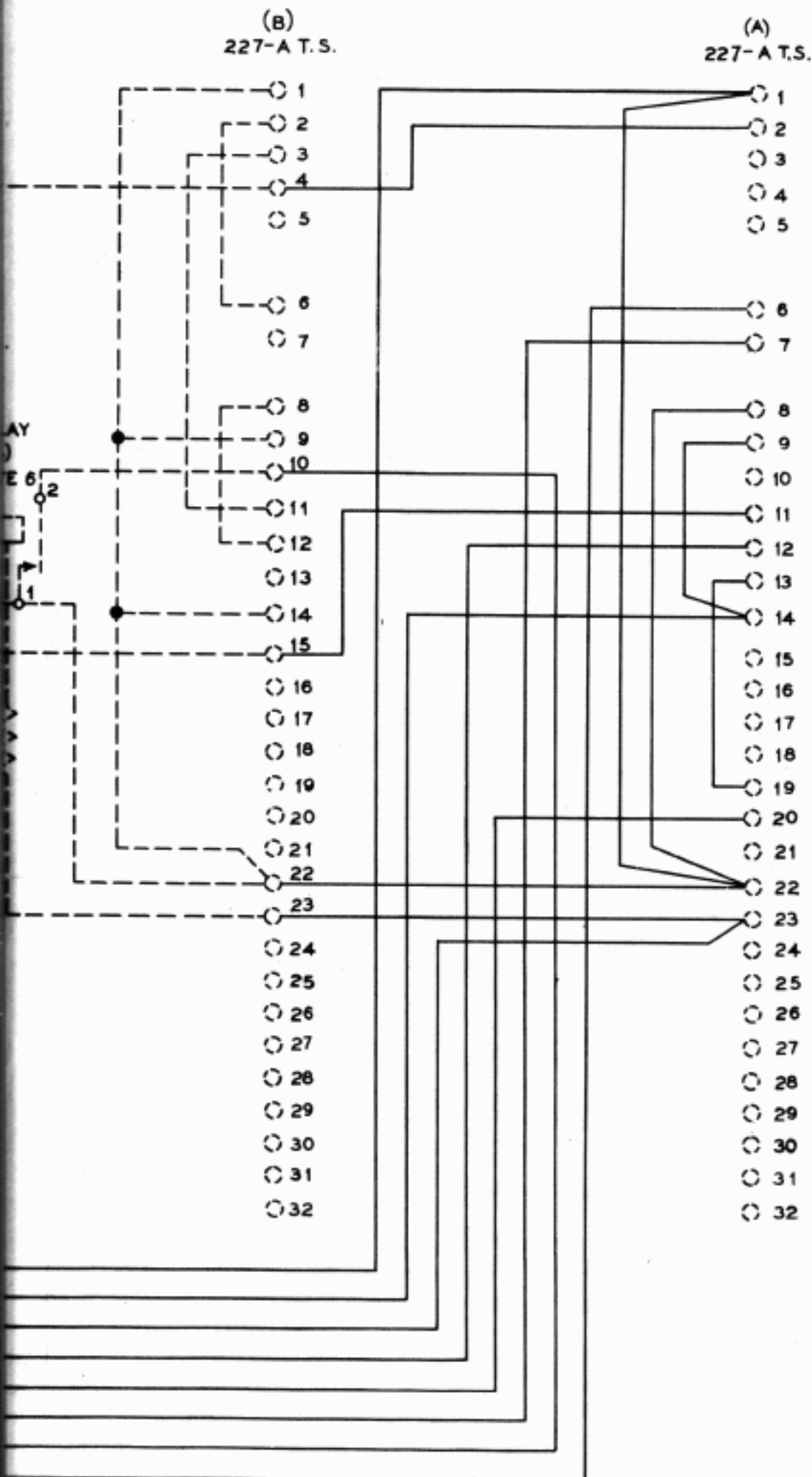


A
B
C
D
E
F
G
H
TO FIG. 2

A
B
C
D
E
F
G
H
TO FIG. 1

FIG. 1

Dist. Class. (400AC
 (600AC



NOTES

1. LOCATE AS PER BSP P90.988 OR P90.989 AS REQUIRED.
2. USE 7-E BUZZER FOR 60[~]AC. 7-A FOR 25[~]AC. AND 7-F FOR D.C.
3. USE "W" WIRING FOR A.C. POWER AND "Z" WIRING FOR D.C.
4. ADJUST PER B.S.P P 31.911
5. WIRE ACCORDING TO UNDERWRITERS RULES
6. SELECTIVE RECEIVING CIRCUIT (B.S.P. P90.982) MUST HAVE U-783 RELAYS IN POSITIONS (A)(B) &(G) AND 18 EW RESISTANCES IN POSITIONS (A) (B) &(P)
7. MOUNT RELAY PER PLAN SA 9.01 FOR 19A TABLE DISREGARDING REFERENCE TO PLAN P.M.9.13 OR ON INSIDE OF REAR PANEL FOR 15N TABLE.
8. WHEN OPERATING THE SELECTIVE RECEIVING CIRCUIT ON D.C. POWER USE 59-N (1000^w) RESISTANCES IN FIG.7 OF BSP P90.982.
9. MOUNT IN LOCATION SUITABLE TO CUSTOMER.

64CI SELECTOR SYSTEM

APPLIQUE CIRCUIT TO PERMIT REMOTE CONTROL OF BUZZER & POWER BELL WHEN USED WITH ARRANGEMENT PER BSP P 90.982

FIG. 2
 DOTTED PORTION OF
 THIS FIGURE SHOWN
 ON P90.982