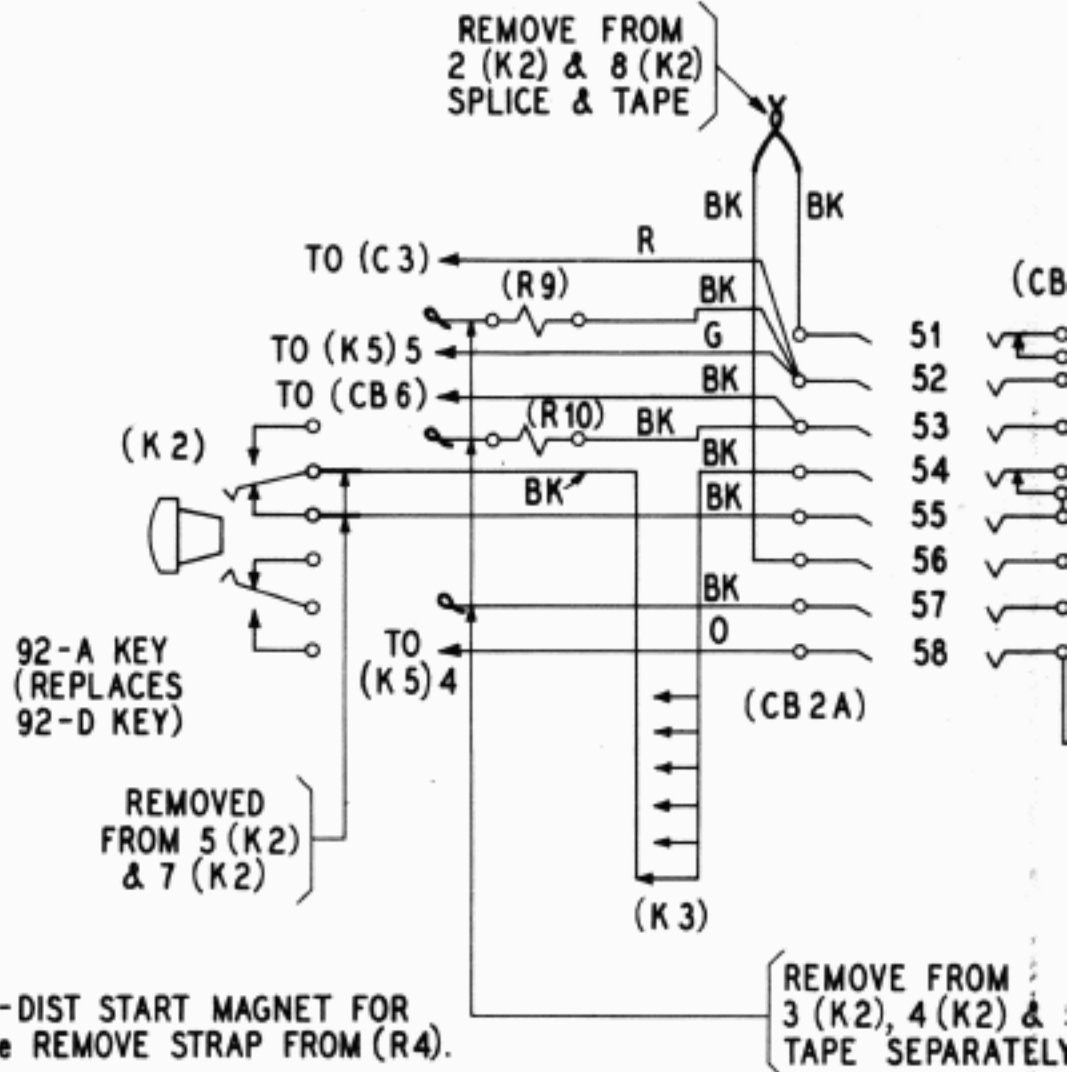


15 TYPE PERF - TRANS
 (NO CHANGES IN WIRING
 OTHER THAN SHOWN)
 REFER TO FIG.1 B.S.P. P 38.322



NOTE: ARRANGE TRANS-DIST START MAGNET FOR DC OPERATION ie REMOVE STRAP FROM (R4).

OPERATING FEATURES

1. UNSHIFT ON "LETTERS" ONLY.
2. "BELL" ON "BLANK."
3. APOSTROPHE ON UPPER CASE J AND S.
4. SEND-RECEIVE-BREAK KEY INEFFECTIVE.
5. "BREAK" TO BE SENT BY A NON LOCKING KEY WHICH REPLACES THE NORMAL LINE-TEST KEY.
6. NEUTRAL SENDING, POLAR RECEIVING.

KEY

- EXISTING WIRES
- ADDED OR CHANGED WIRES
- REMOVED WIRES

NO CHANGES
 IN MOTOR
 CIRCUIT

15 TYPE TYPING UNIT & 15C BASE
(REFER TO FIG. 6 & 14 B.S.P. P36.301)

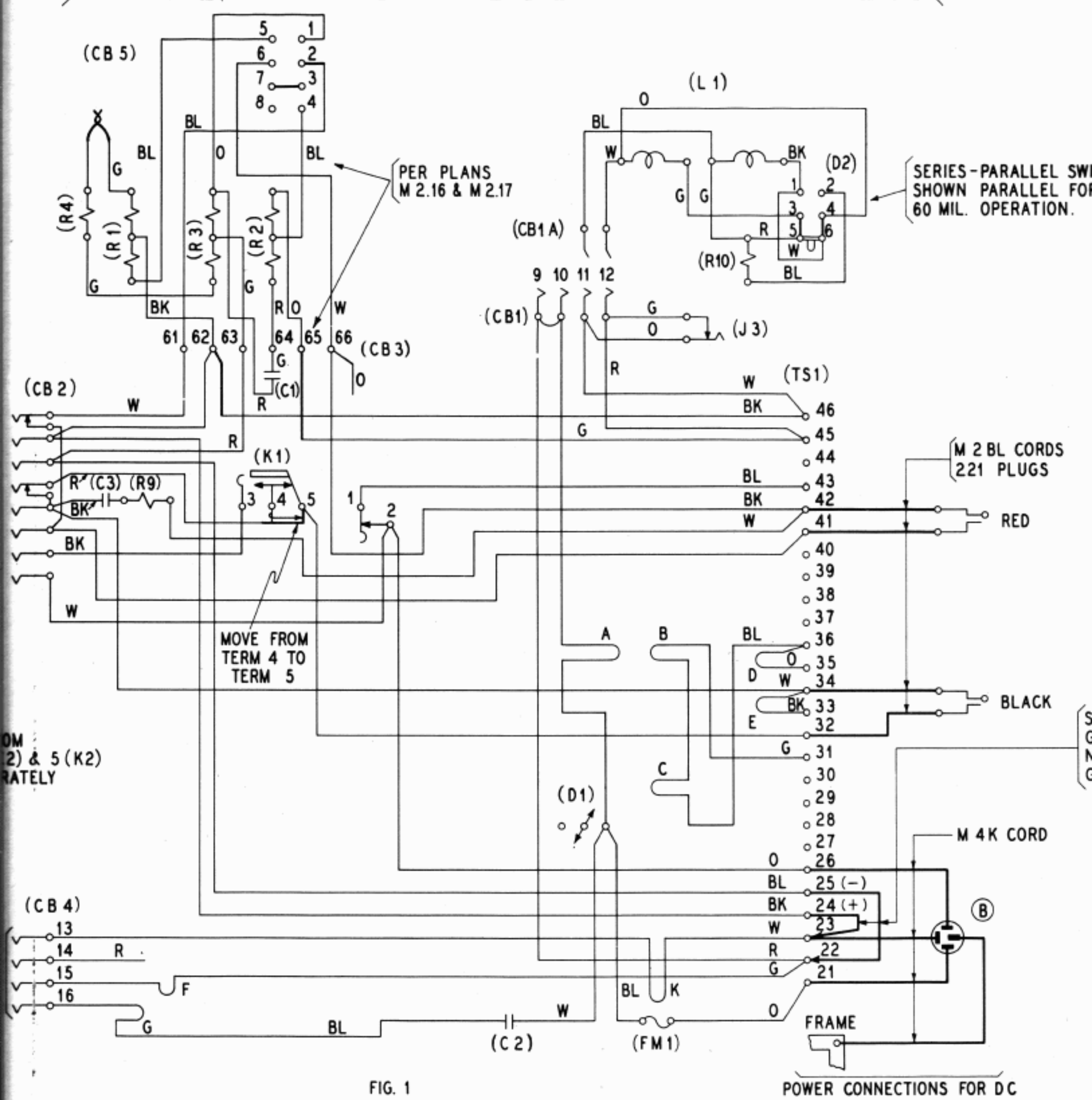


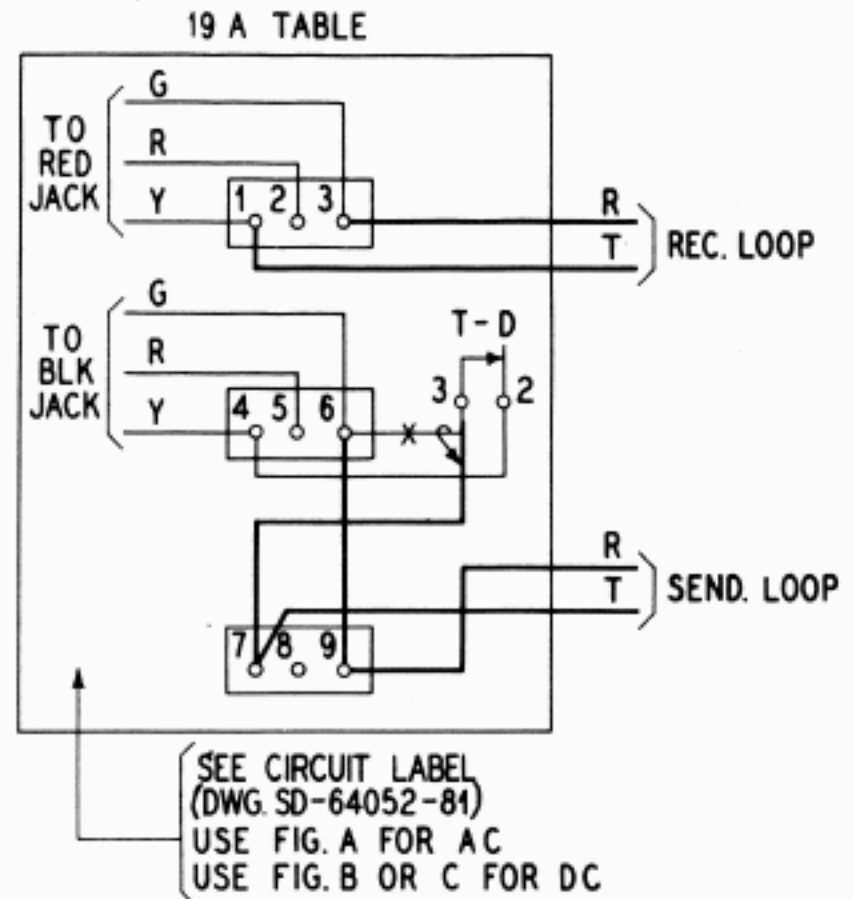
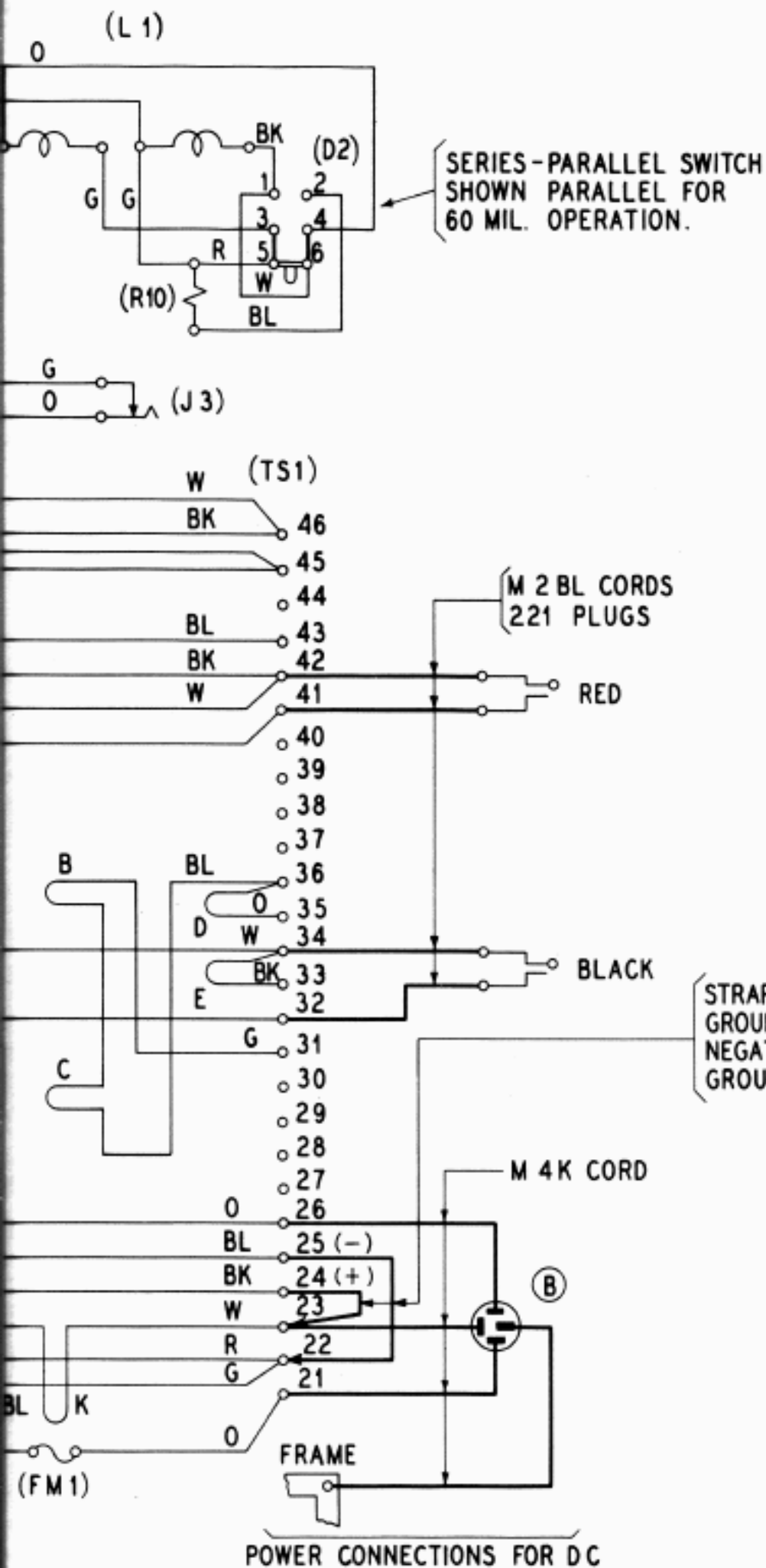
FIG. 1

E
01)

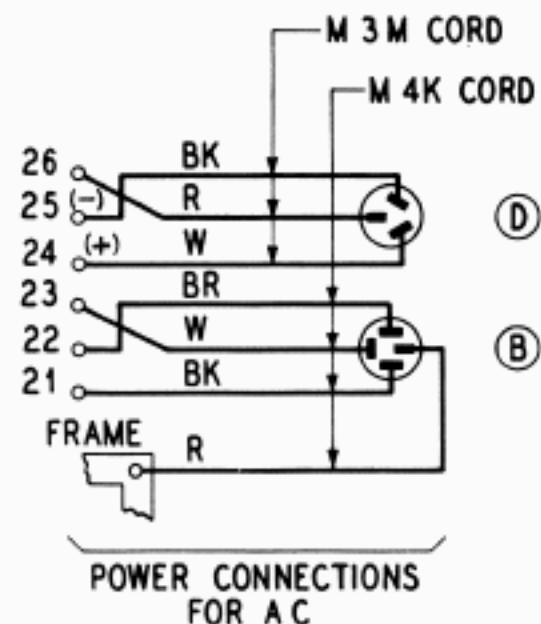
BELL SYSTEM PRACTICES
TELETYPEWRITER STATION
INSTALLATION AND MAINTENANCE
REPRODUCED FROM DWG. 20721-106

SECTION P 90.918
ISSUE C APRIL 1944
LONG LINES DEPT.

Dist. Class. 602.054C



STRAPS SHOWN FOR POSITIVE GROUNDED. INTERCHANGE FOR NEGATIVE GROUNDED OR NON-GROUNDED.



TELETYPEWRITER SYSTEMS
CIRCUIT ARRANGEMENT AND
OPERATING FEATURES OF
19A TTY SET (15C BASE) AS USED FOR
PRESS ASSOCIATION INC. TTY SERVICE
AC OR DC COMMERCIAL POWER.