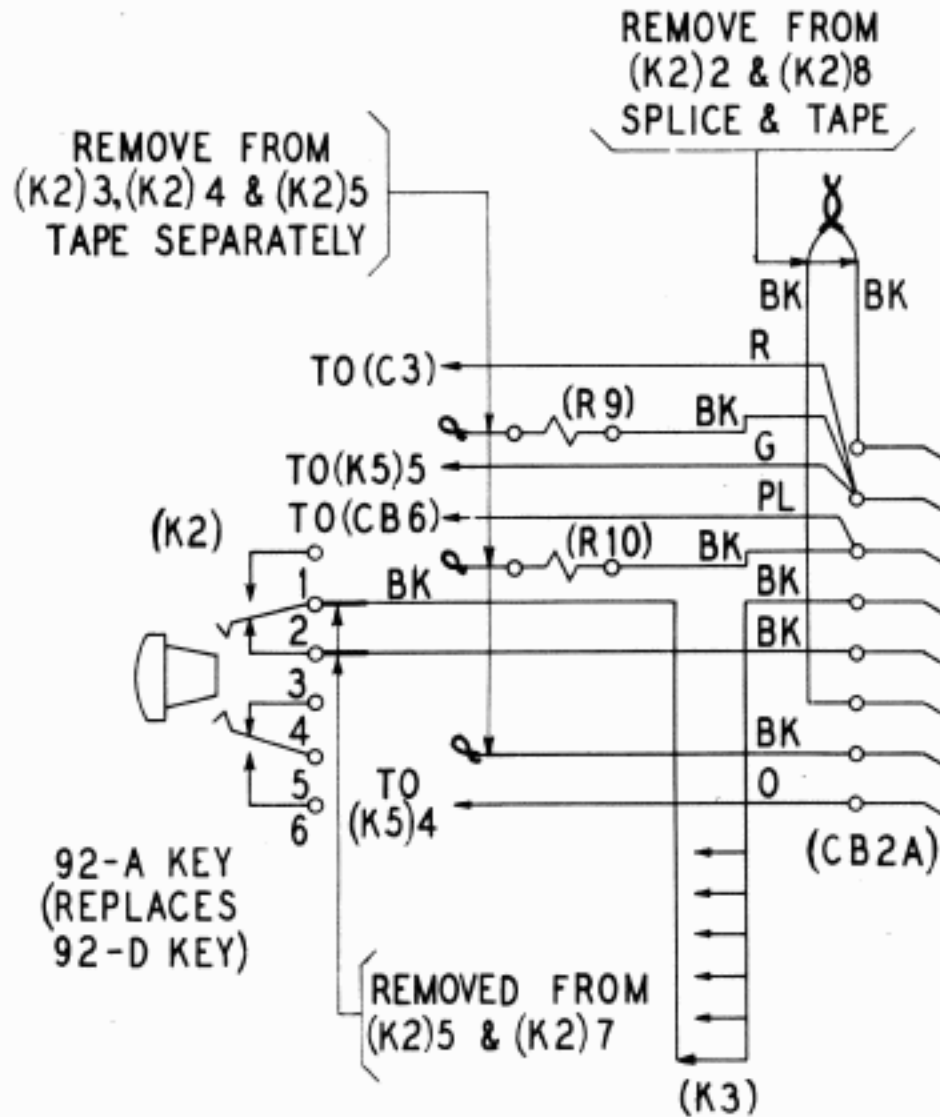


15 TYPE PERF-TRANS. NO CHANGES  
IN WIRING OTHER THAN SHOWN  
(REFER TO FIG.1 BSP P38.322)

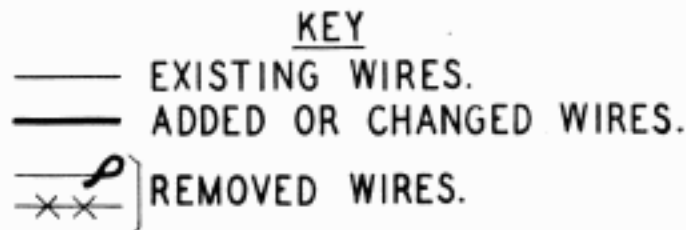


NOTE-ARRANGE TRAN-DIST START MAGNET FOR DC OPERATION i.e. REMOVE STRAP FROM (R4)

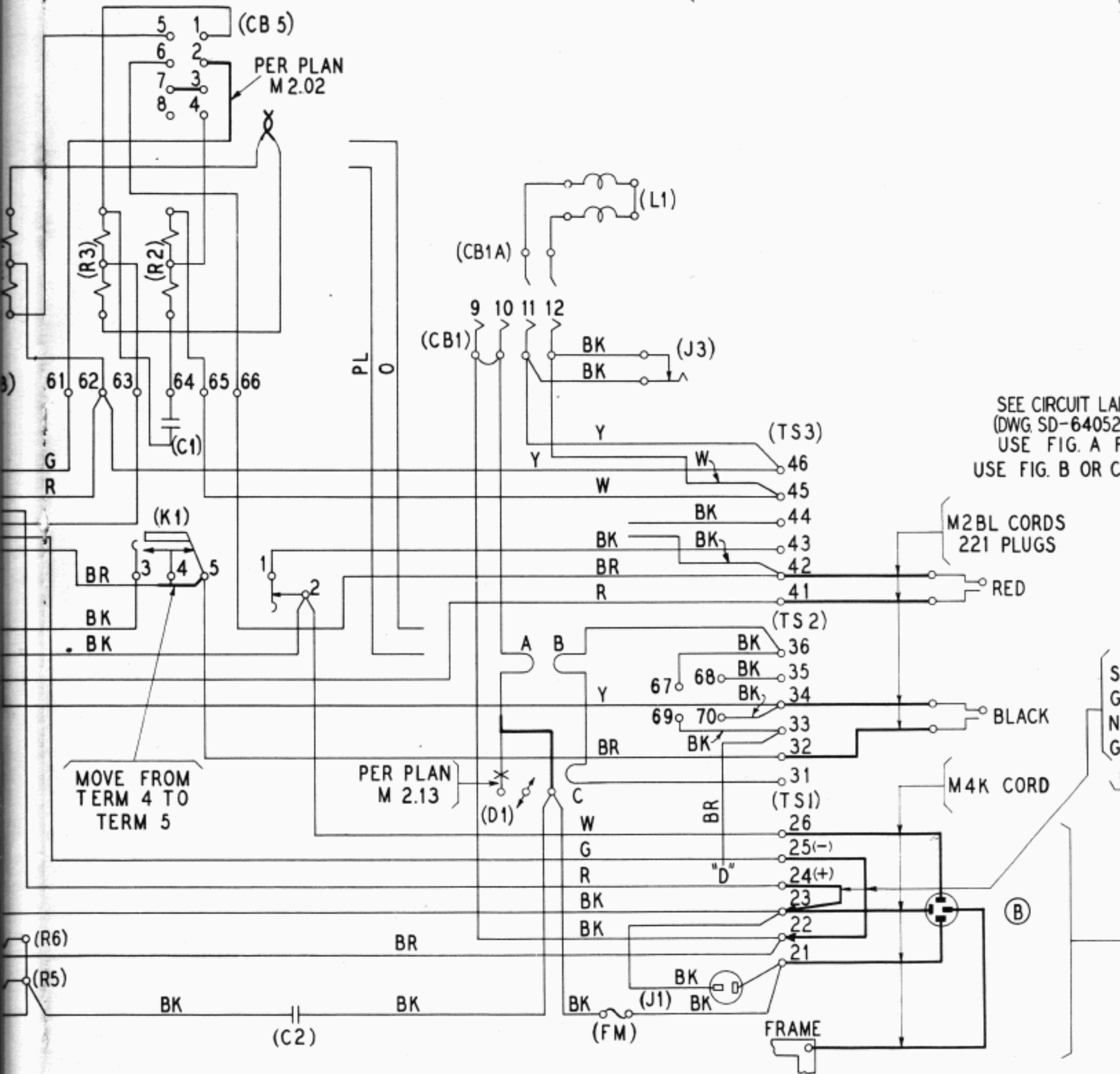
OPERATING FEATURES

1. UNSHIFT ON "LETTERS" ONLY.
2. "BELL ON BLANK."
3. APOSTROPHE ON UPPER CASE J AND S.
4. SEND-RECEIVE-BREAK KEY INEFFECTIVE.
5. "BREAK" TO BE SENT BY A NON-LOCKING KEY WHICH REPLACES THE NORMAL LINE-TEST KEY.
6. NEUTRAL SENDING, POLAR RECEIVING.

NO CHANGES  
IN MOTOR CIRCUIT



15 TYPE TYPING UNIT & 15-A BASE  
 (REFER TO FIG. 12 BSP P36.301)



SEE CIRCUIT LA...  
 (DWG SD-64052)  
 USE FIG. A...  
 USE FIG. B OR C

M2BL CORDS  
 221 PLUGS

M4K CORD

MOVE FROM  
 TERM 4 TO  
 TERM 5

PER PLAN  
 M 2.13

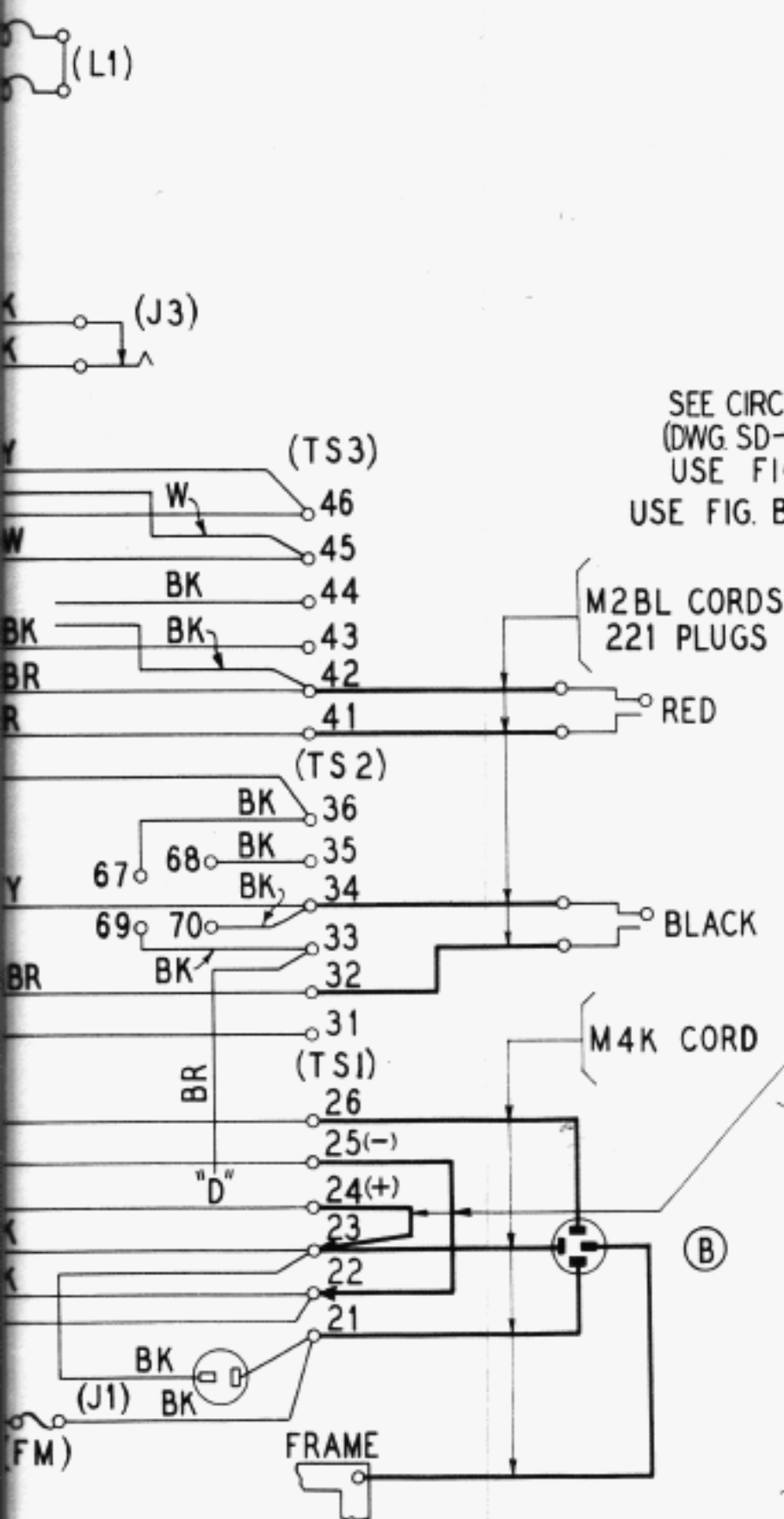
FIG. 1

W.C. Gardner City

BELL SYSTEM PRACTICES  
TELETYPEWRITER STATION  
INSTALLATION AND MAINTENANCE  
REPRODUCED FROM DWG. 20720-106

SECTION P90.917  
ISSUE C APRIL 1944  
LONG LINES DEPT.

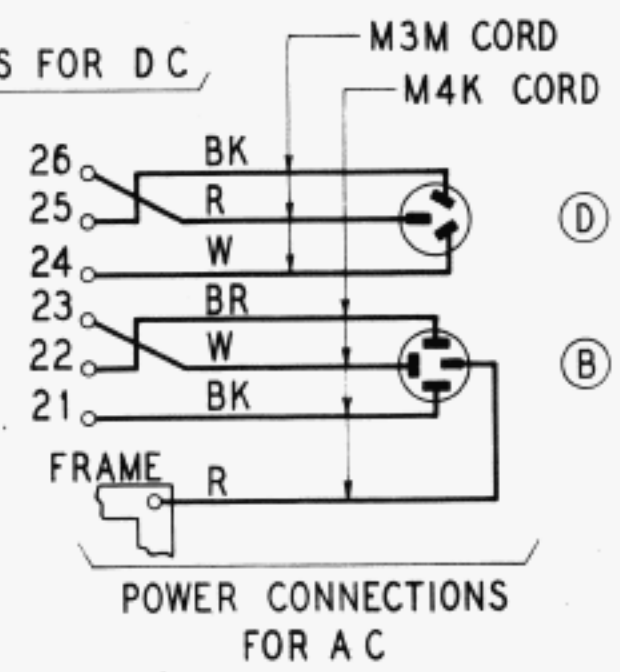
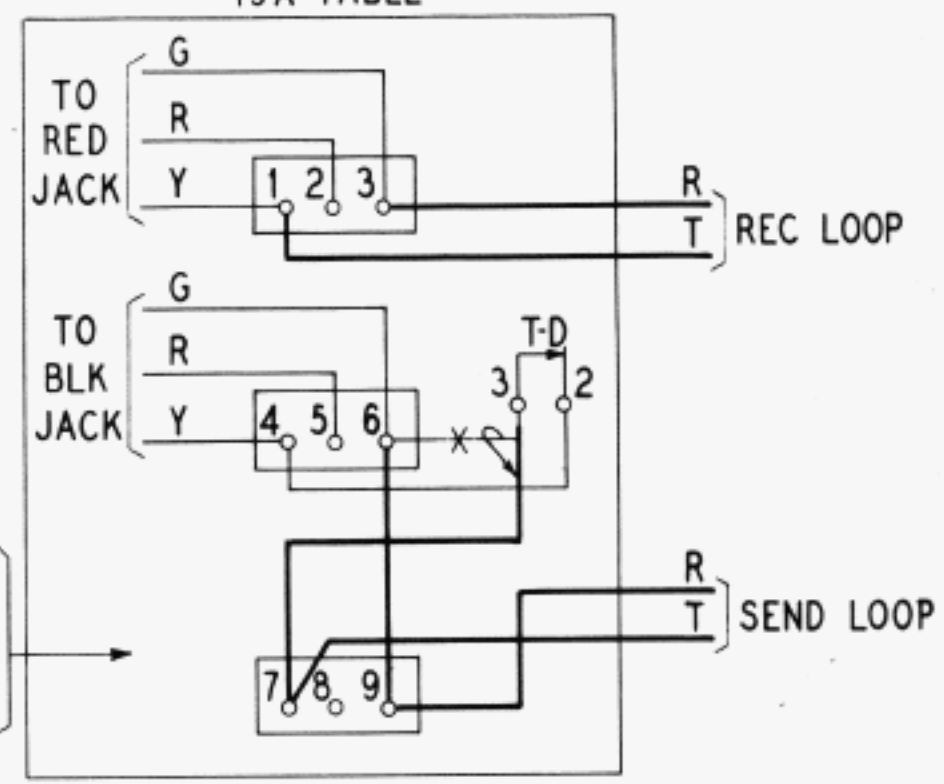
Dist. Class. 602.05AC



SEE CIRCUIT LABEL  
(DWG. SD-64052-81)  
USE FIG. A FOR A C  
USE FIG. B OR C FOR D C

STRAPS SHOWN FOR POSITIVE  
GROUNDED. INTERCHANGE FOR  
NEGATIVE GROUNDED OR NON-  
GROUNDED.  
POWER CONNECTIONS FOR D C

19A TABLE



TELETYPEWRITER SYSTEMS  
CIRCUIT ARRANGEMENT AND  
OPERATING FEATURES OF  
19A TTY SET (15A BASE) AS USED FOR  
PRESS ASSOCIATION INC. TTY SERVICE  
AC OR DC COMMERCIAL POWER.