

STATION IDENTIFICATION

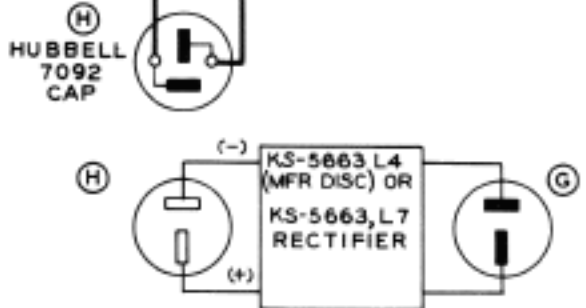
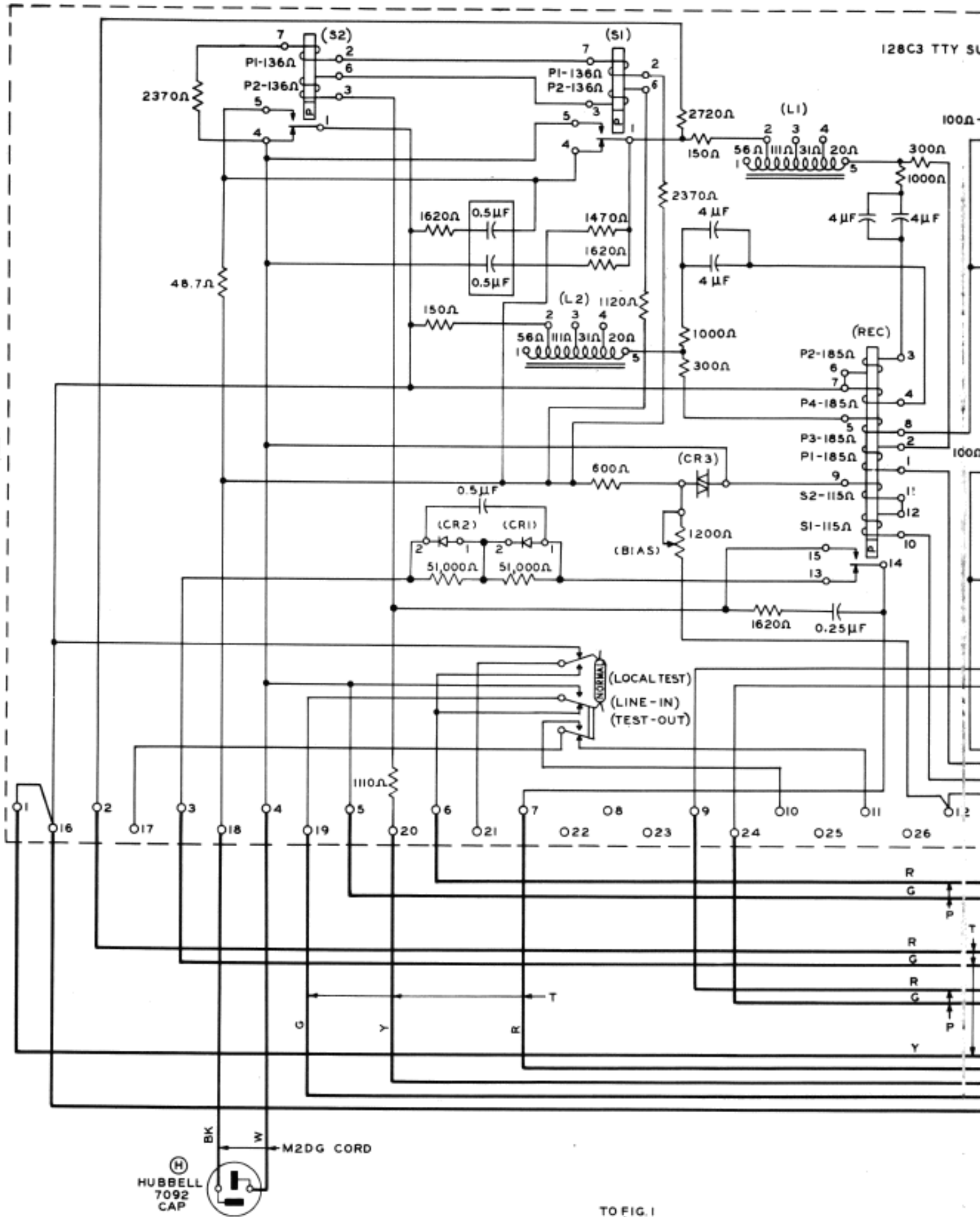
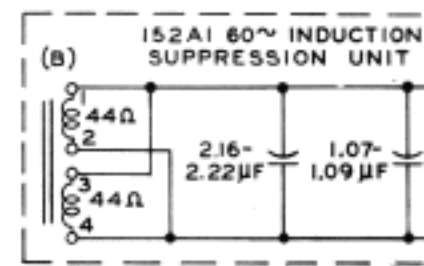
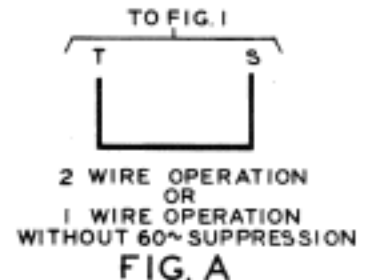
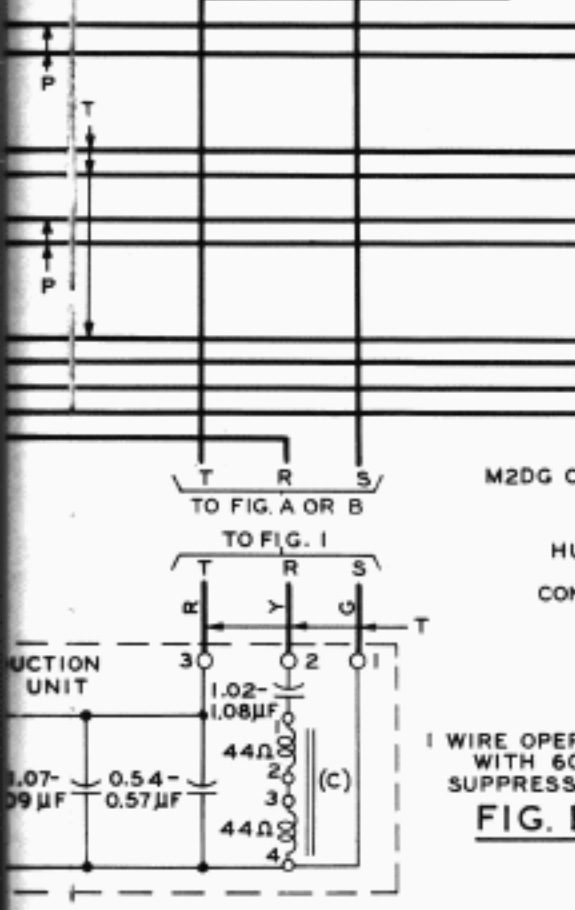
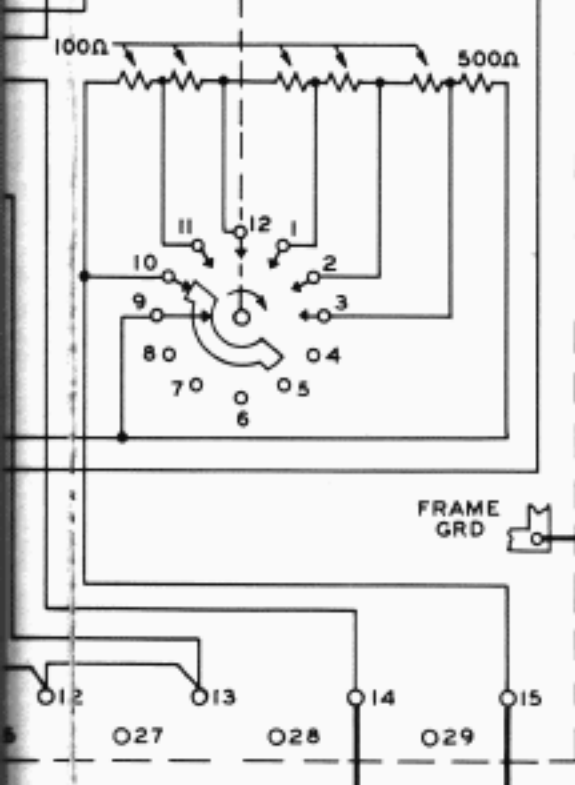
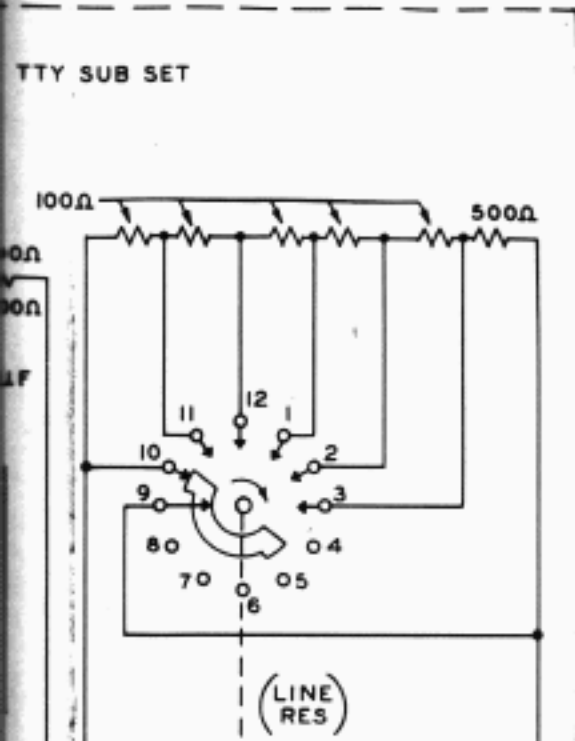
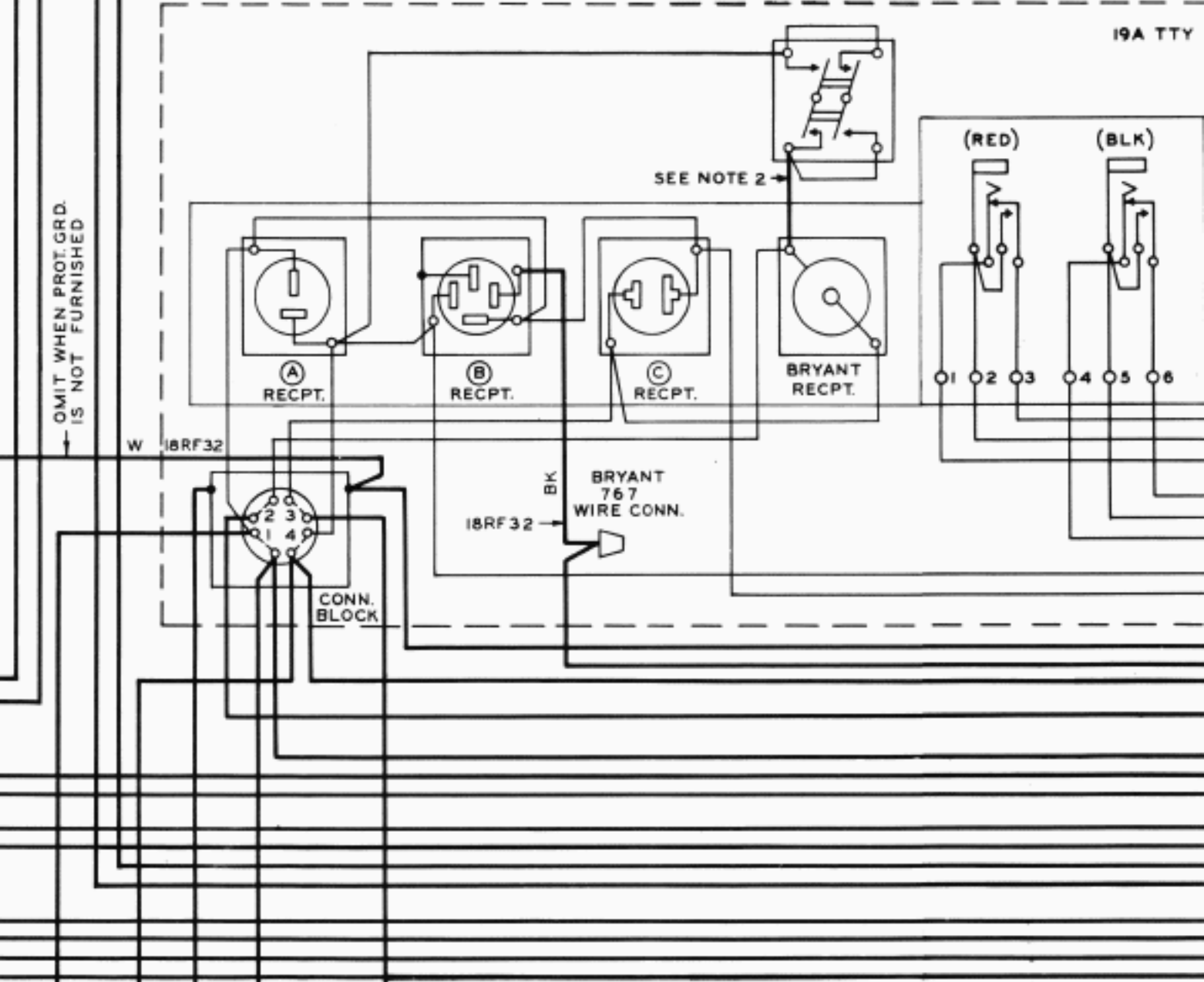
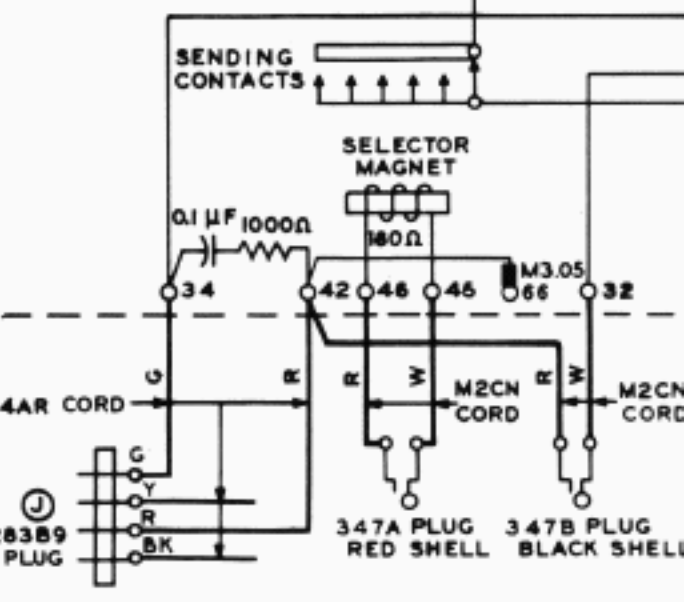
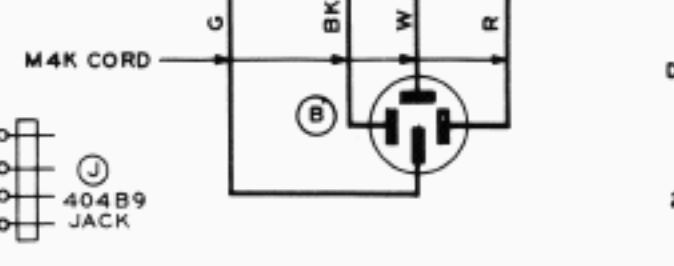


FIG. 3

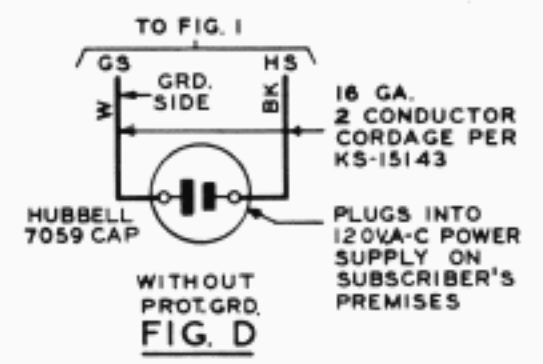
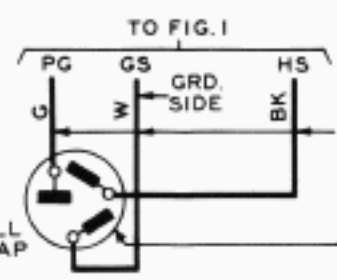
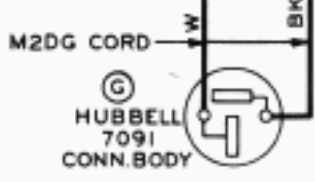


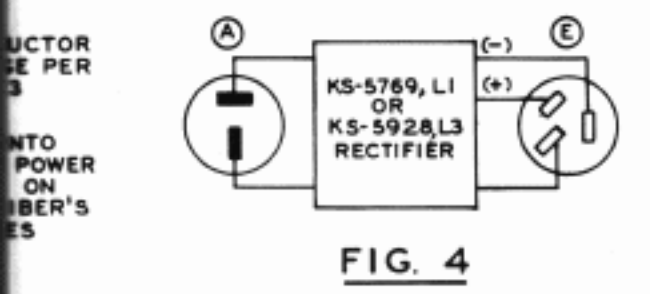
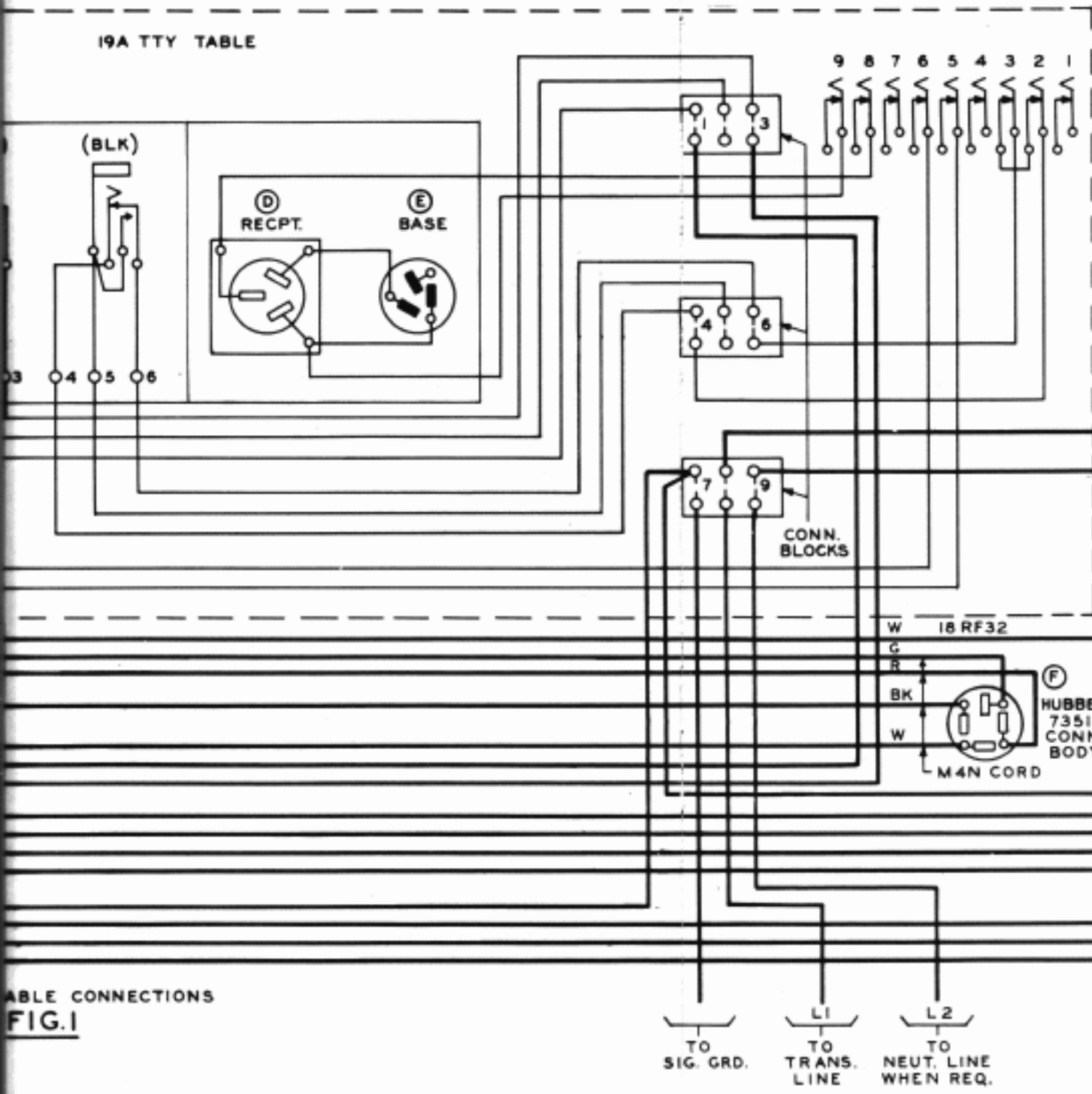
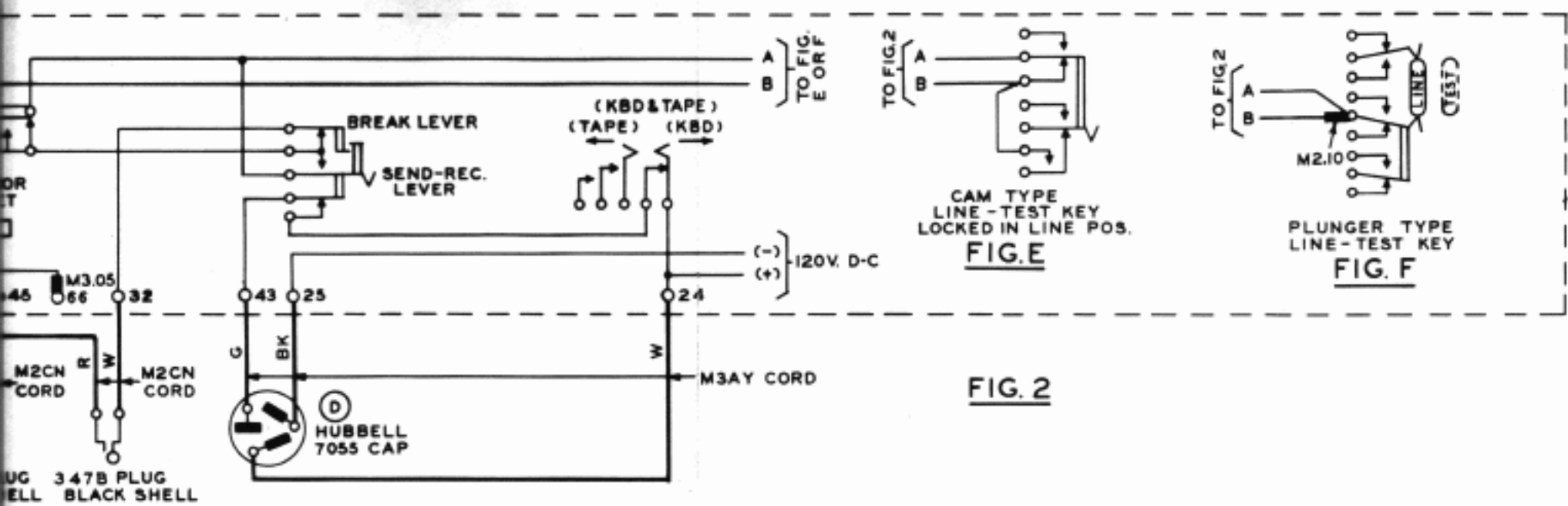


19 TTY CONSISTING OF:
 15C BASE
 15Y OR 15AA TYPING UNIT
 15L38 OR 15T38 PERFORATOR TRANSMITTER
 15D 15J OR 15L MOTOR UNIT
 TP92153 SET OF PARTS (M2.43)

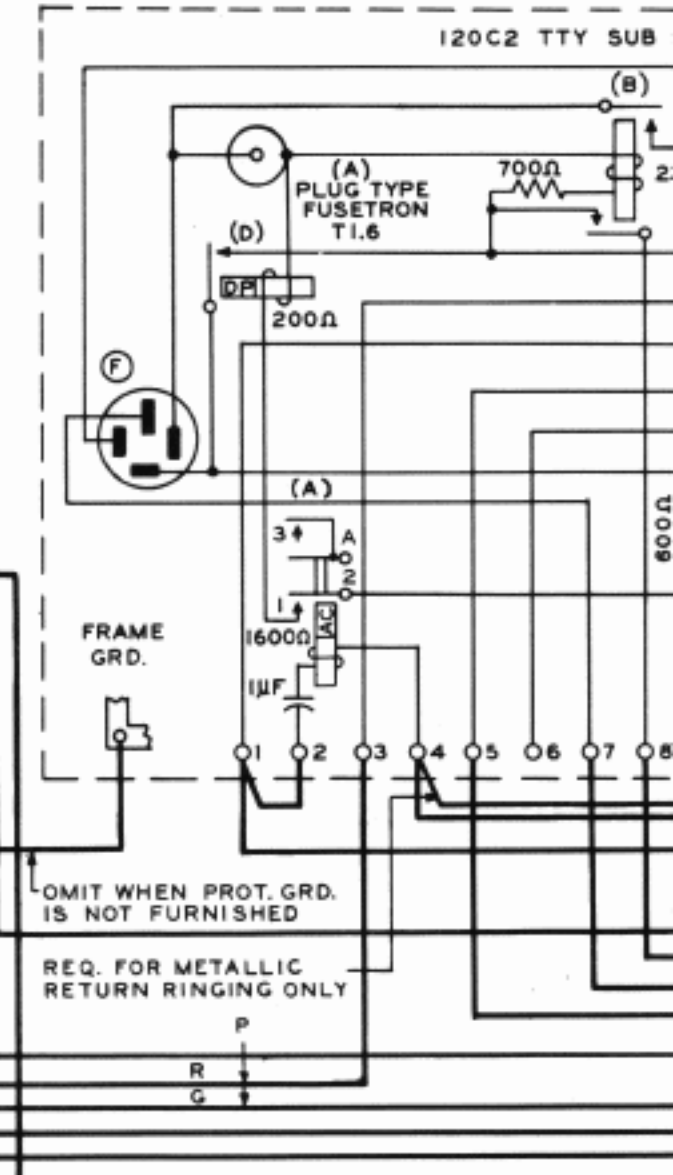


LINE & TABLE CONNECTIONS
 FIG. 1





DUCTOR
SE PER
3
TO
POWER
ON
BER'S
ES



TO SIG. GRD.

L1 TO TRANS. LINE

L2 TO NEUT. LINE WHEN REQ.

BELL SYSTEM PRACTICES
TELETYPEWRITER STATIONS

SECTION P90.714
ISSUE: 2 APRIL, 1958
AT&TCO STANDARD

MOTOR	FUSETRON	
	TTY	TABLE
A-C SYNCH	T 3.2	T 8
A-C SERIES	T 1.6	T 6.2

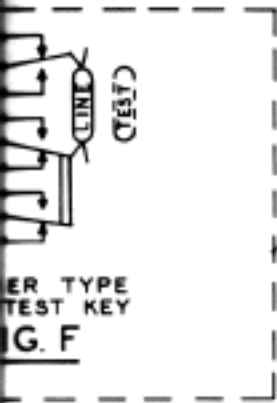
TABLE A

NOTES:

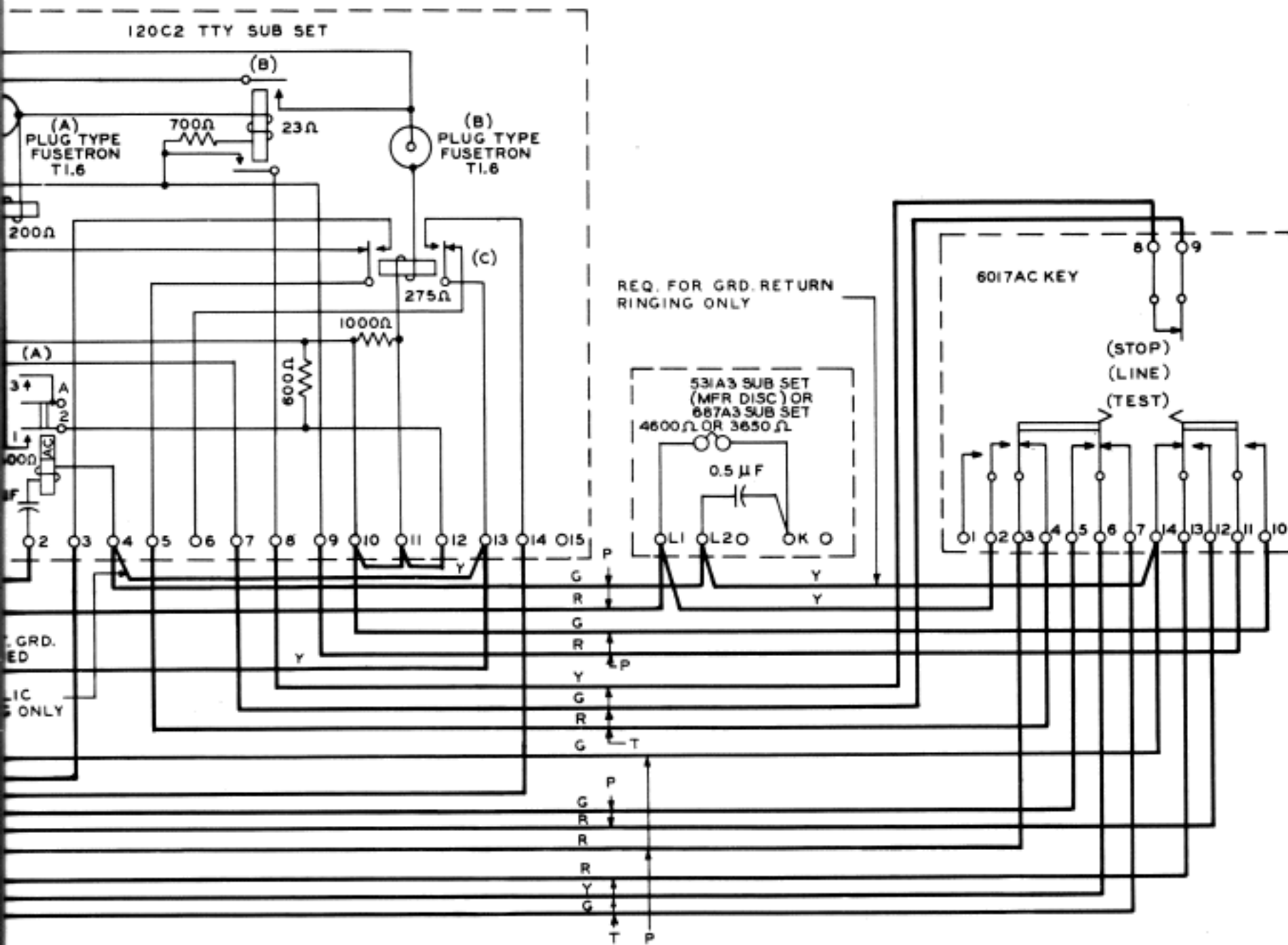
1. ALL COLORED WIRES UNLESS OTHERWISE SPECIFIED ARE 22 GAUGE BROWN TYPE G3 STATION WIRE PER AT&TCO SPEC. 7089.
2. THIS LEAD SHALL BE DISCONNECTED FROM THE SWITCH AND TAPED.

PLANS USED	
M 2.10*	M 2.43
M 2.21	M 3.05
M 2.22	
M 2.30	

* WHEN REQUIRED



PLUG TYPE
TEST KEY
FIG. F



128C3 TTY SUB. SET
UNATTENDED TWX SERVICE
19A TTY TABLE